

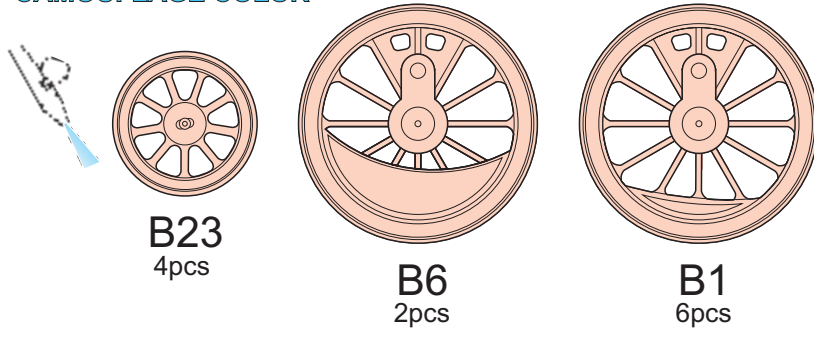
eduard
MASK

XT 159

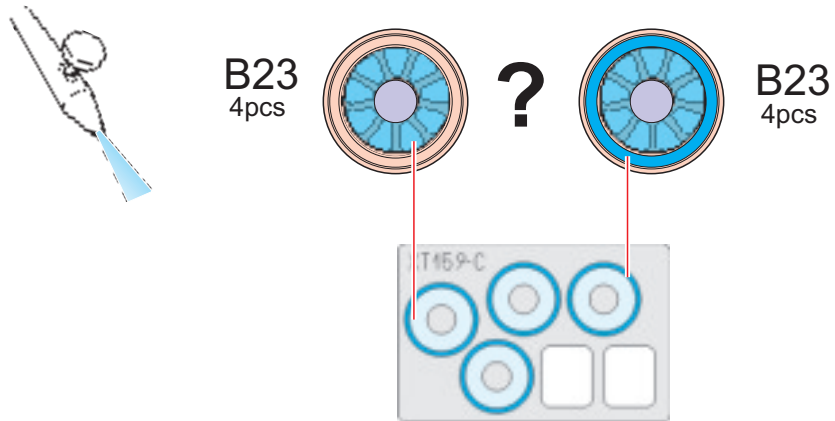
BR-86 1/35

The die-cut mask for accurate canopy frame painting of the *Trumpeter* scale 1/35 KIT

CAMOUFLAGE COLOR



STEEL COLOR



 - LIQUID MASK
MASCOL

