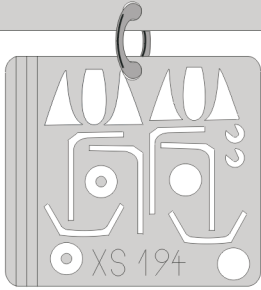


eduard
Express Mask

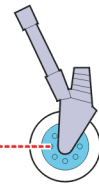
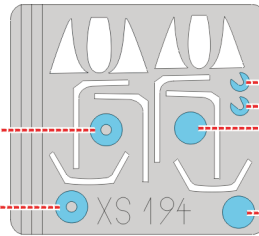
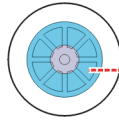
XS 194

F9F-2 Panther

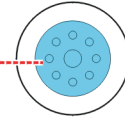
The die-cut mask for accurate canopy frame painting of the
Hasegawa 1/72 KIT



2pcs.
A19

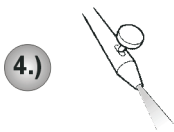
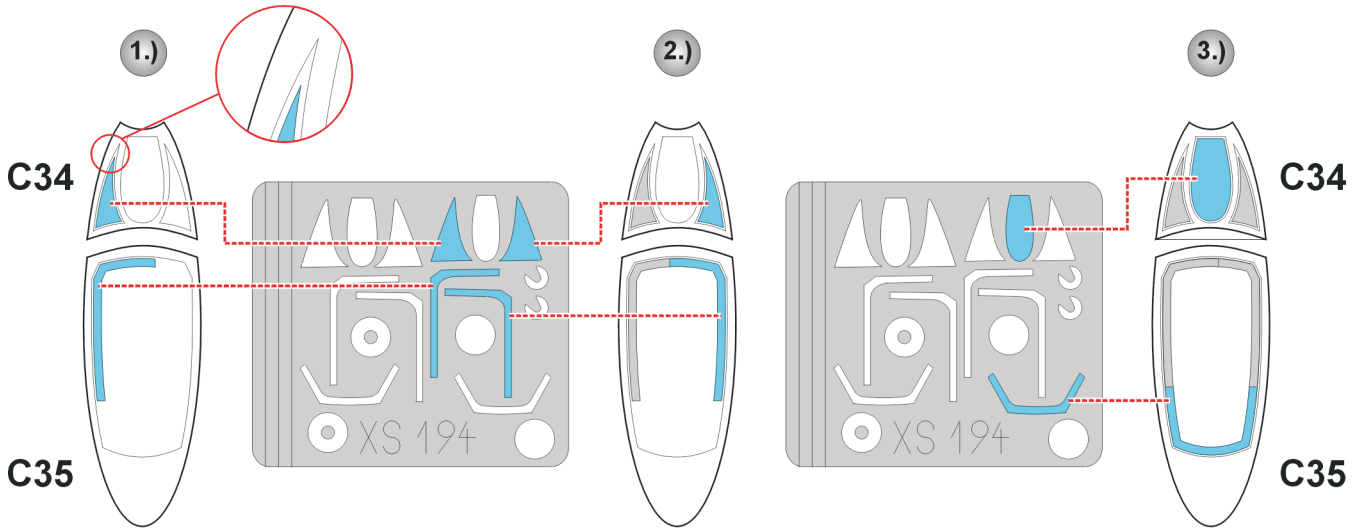


A12



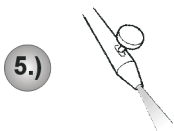
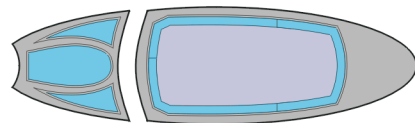
2pcs.
A19

LIQUID MASK ■



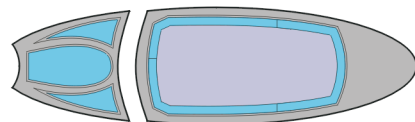
4.)

INTERIOR COLOR



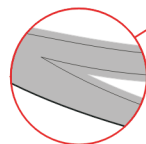
5.)

RUBBER COLOR

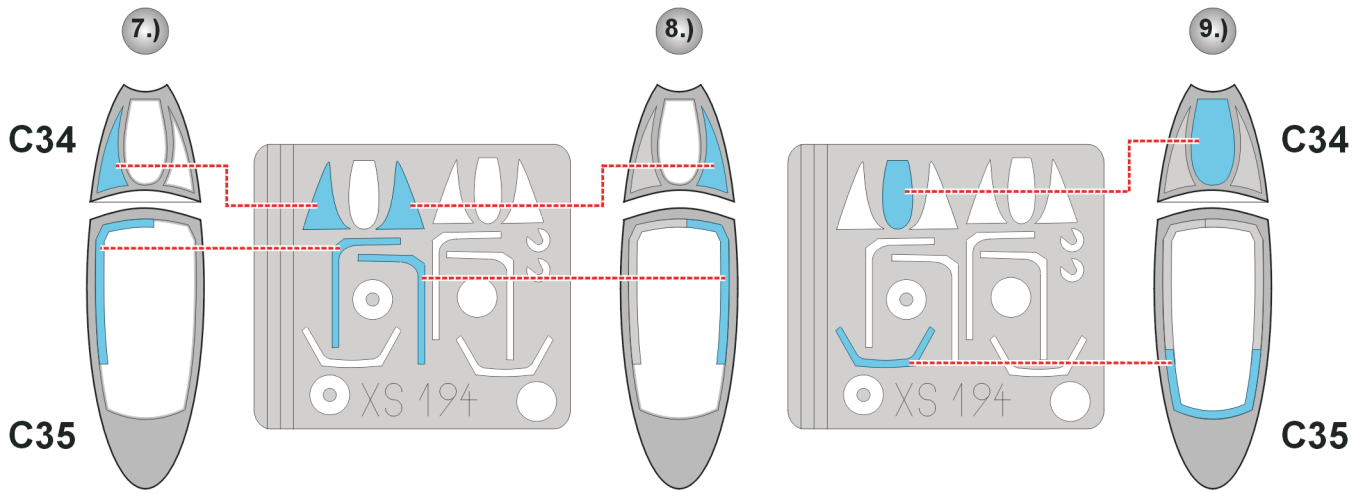


6.)

REMOVE MASK



LIQUID MASK ■



LIQUID MASK ■

