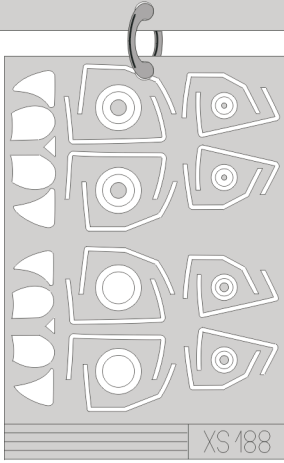


eduard
Express Mask

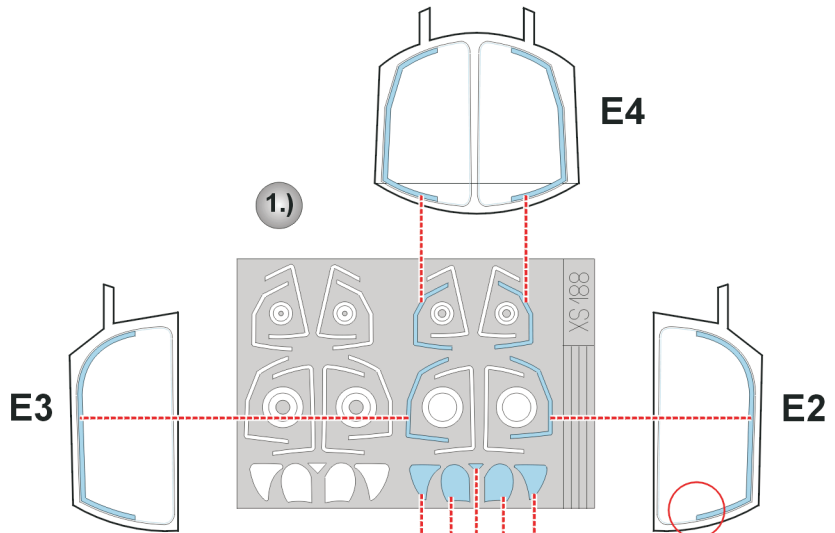
XS 188

EA-6B Prowler

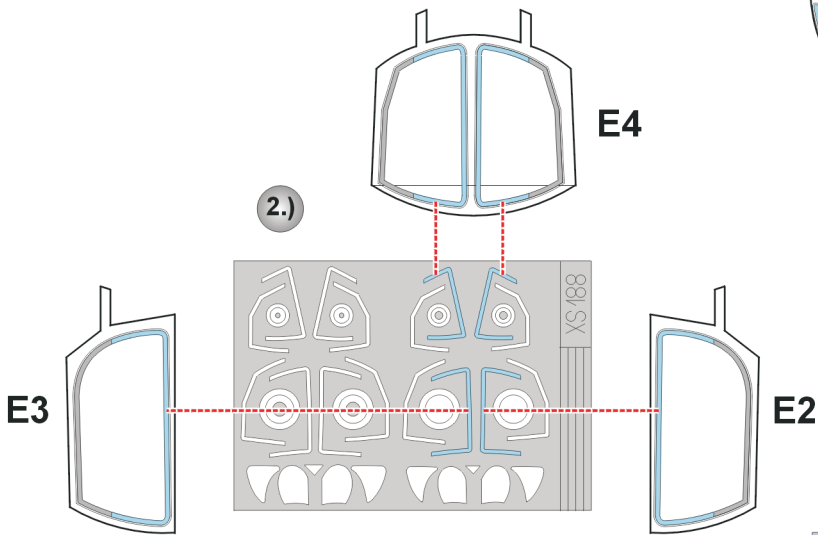
The die-cut mask for accurate canopy frame painting of the
Hasegawa 1/72 KIT



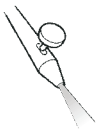
1.)



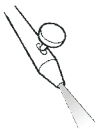
2.)



 - LIQUID MASK

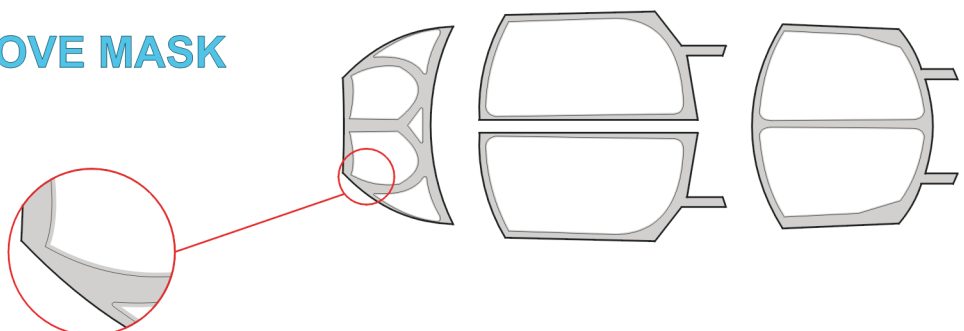
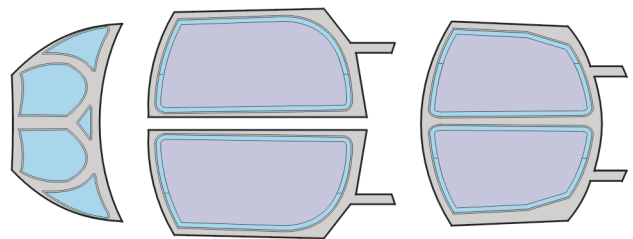


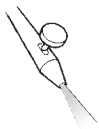
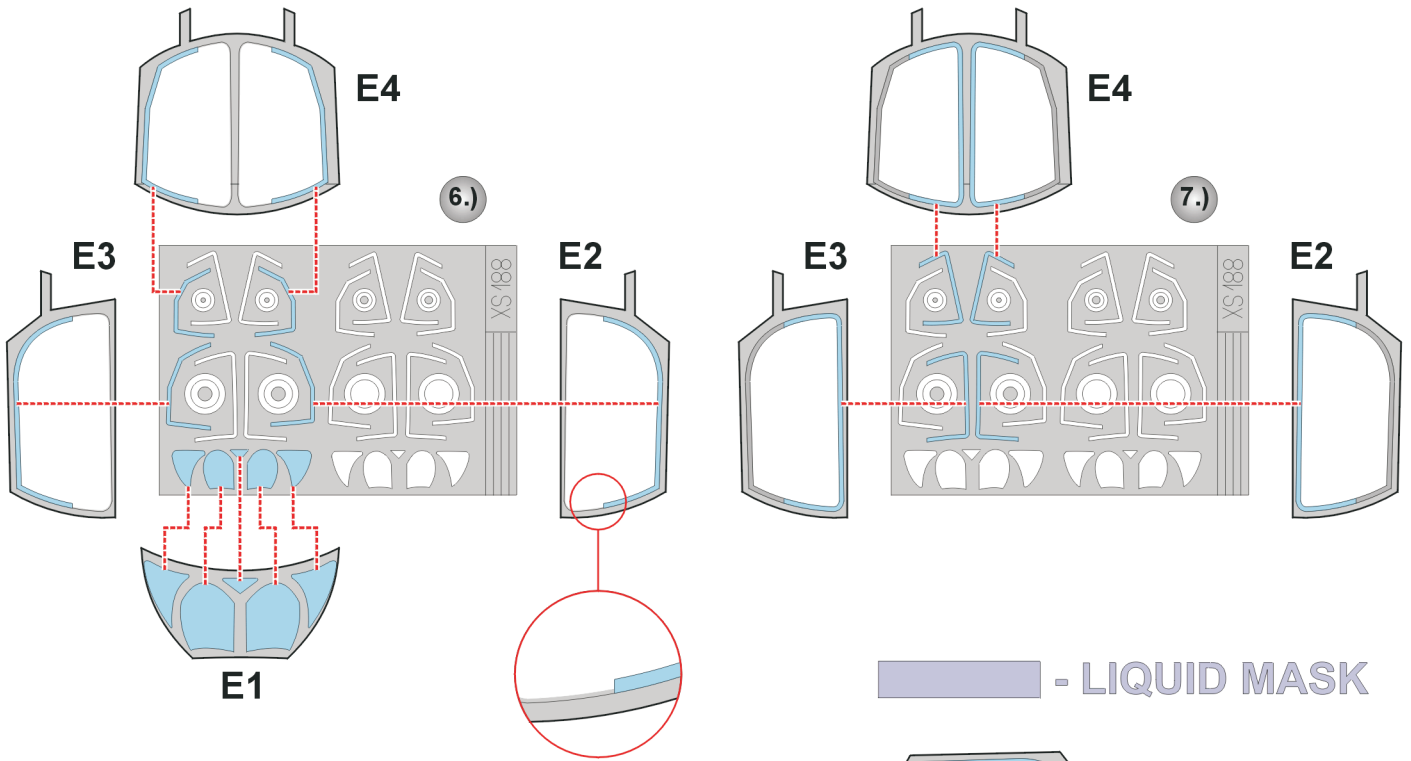
3.) **INTERIOR COLOR**



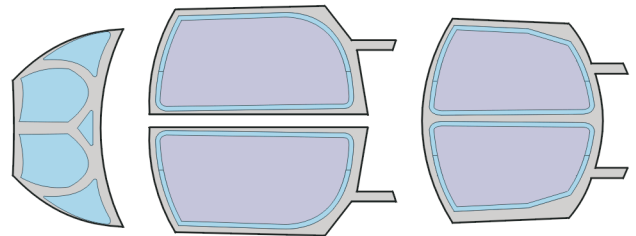
4.) **RUBBER COLOR**

5.) **REMOVE MASK**

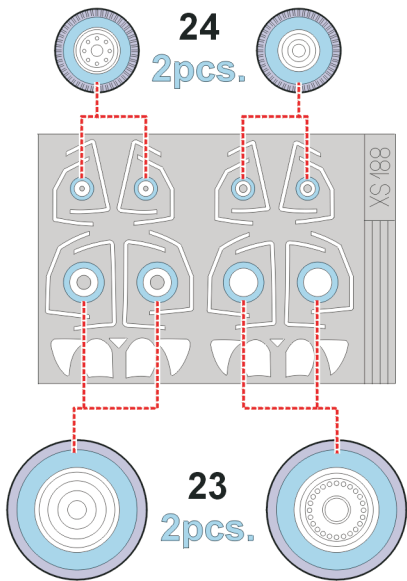
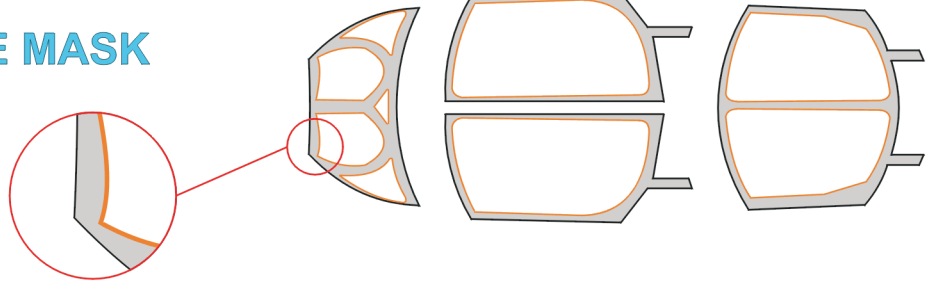




8.) CAMOUFLAGE COLOR

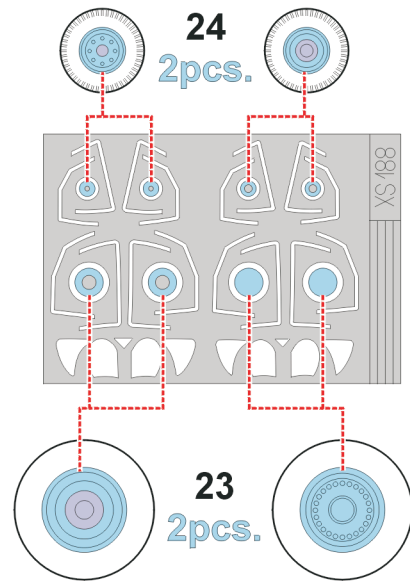


9.) REMOVE MASK



?

— LIQUID MASK



REFERENCES: Concord No.1019: U.S.Airpower at Sea
Osprey Aviation: Supercarriers Naval Aviation in Action