

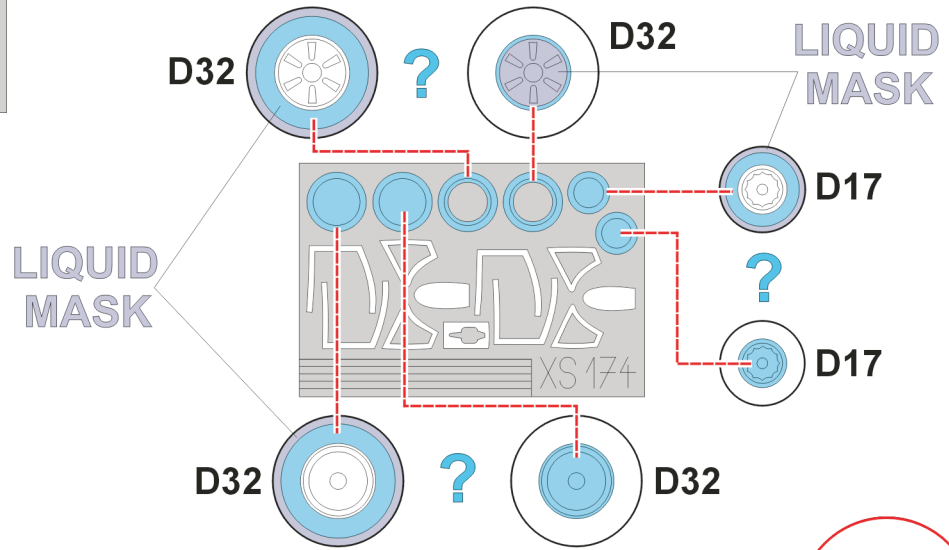
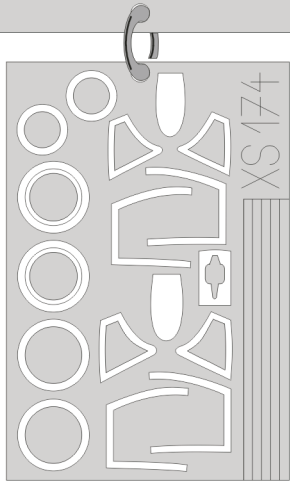
eduard
Express Mask

XS 174

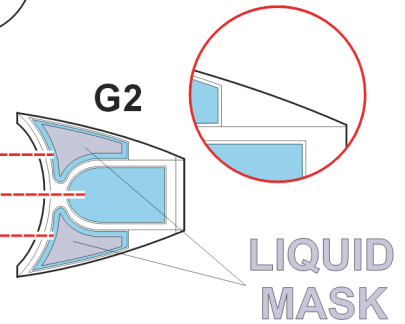
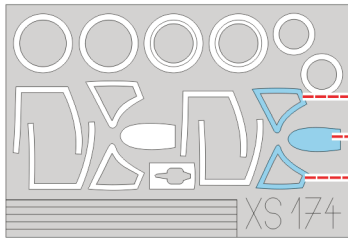
MiG-21 SMT

The die-cut mask for accurate canopy frame painting of the

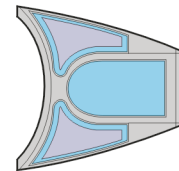
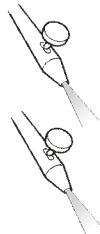
FUJIMI 1/72 KIT



1.)

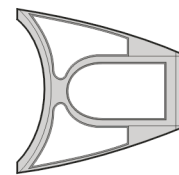


2.) INTERIOR COLOR

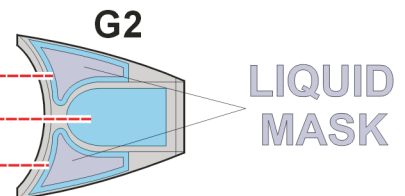
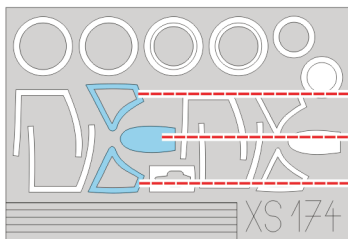


3.) RUBBER COLOR

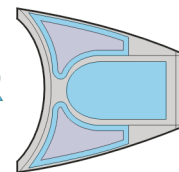
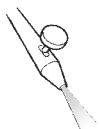
4.) REMOVE MASK



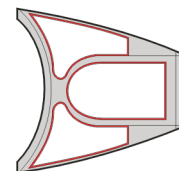
5.)

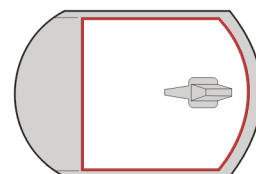
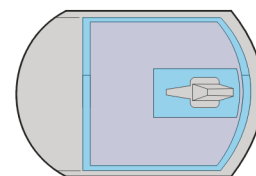
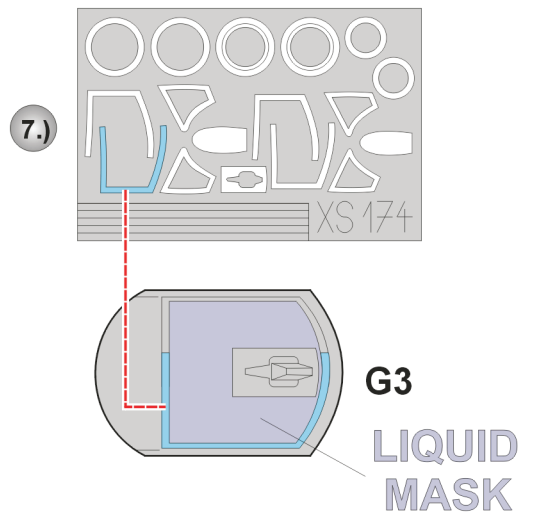
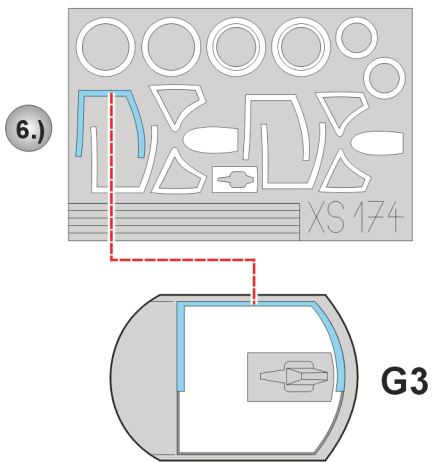
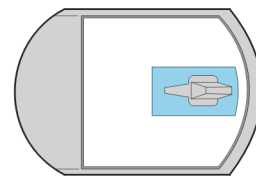
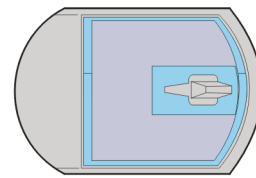
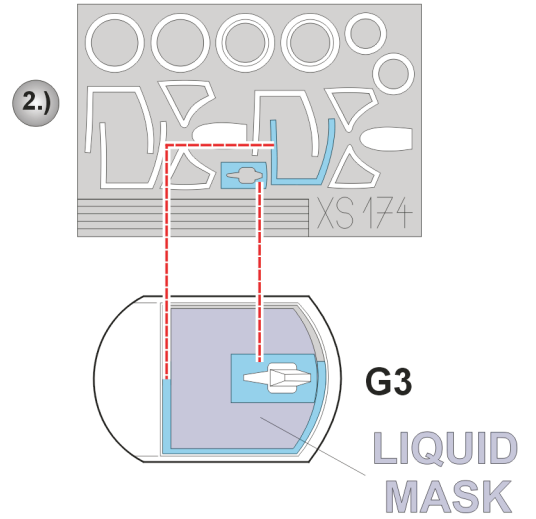
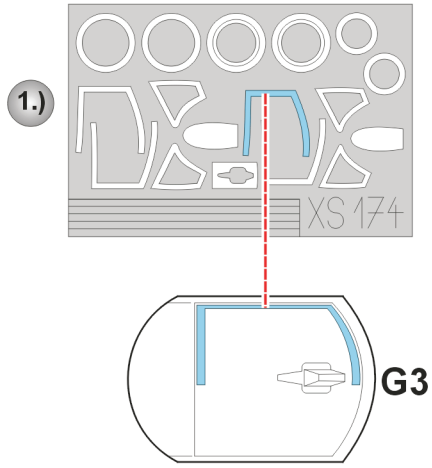


6.) CAMOUFLAGE COLOR



7.) REMOVE MASK





REFERENCES: 4+ publication - MiG 21
<http://www.aircraftresourcecenter.com>