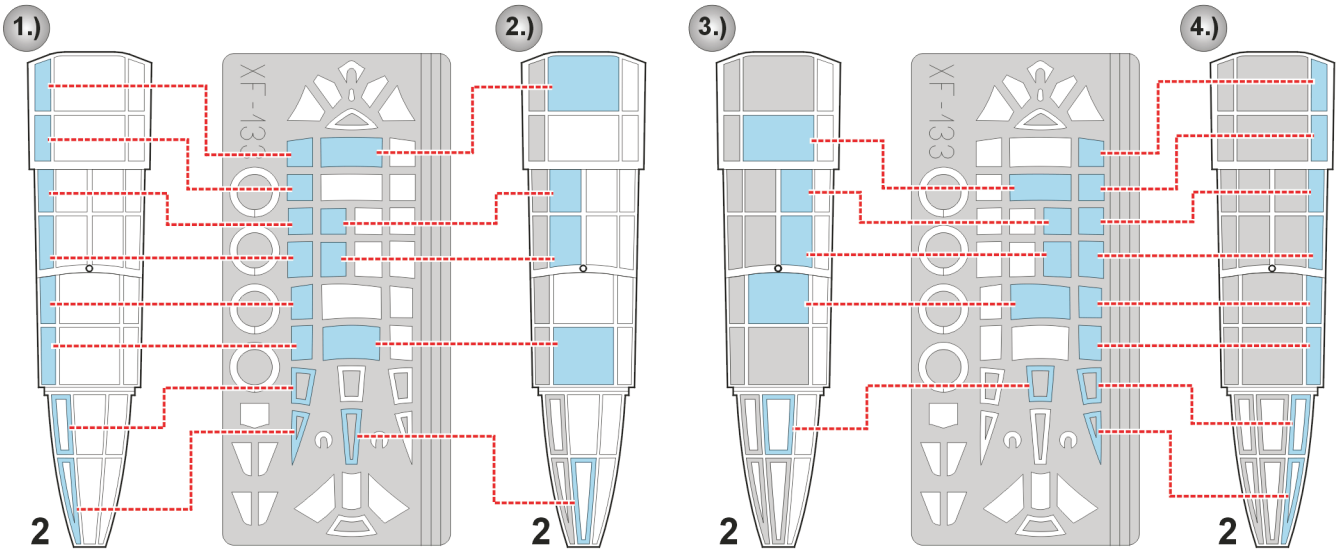
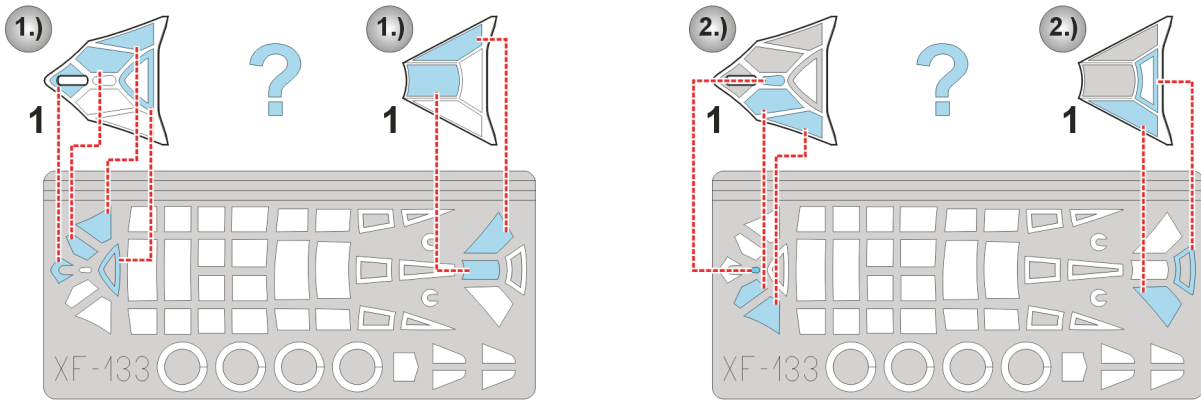
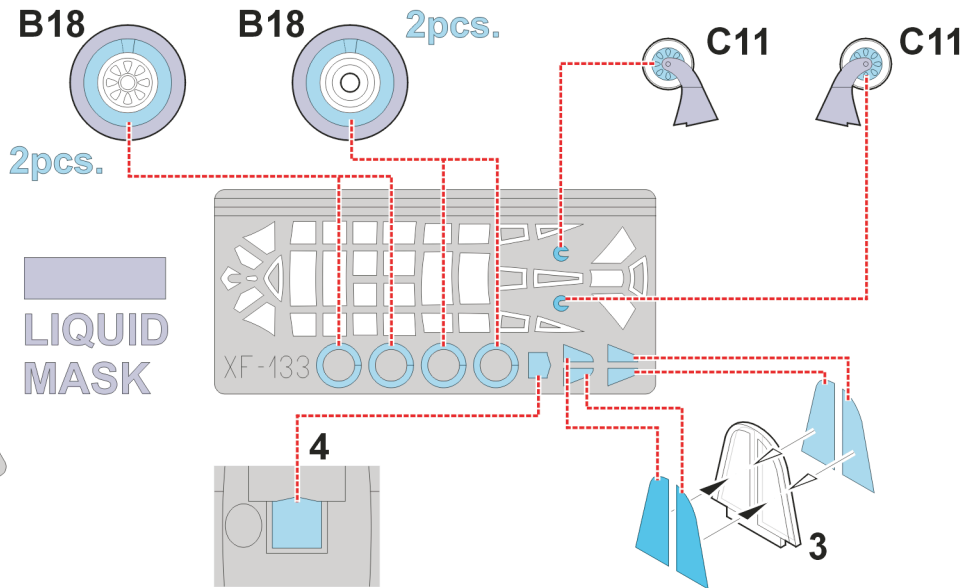
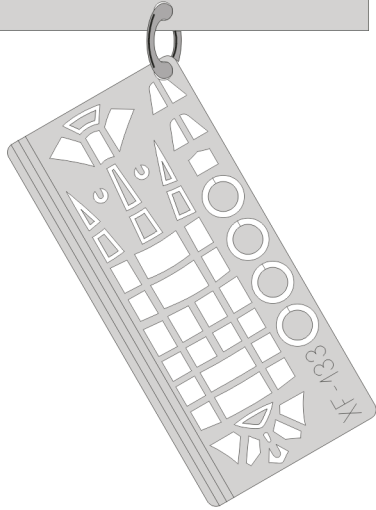


eduard
Express Mask

XF 133

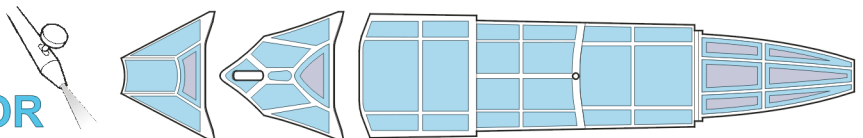
D4Y1/D4Y2 Judy

The die-cut mask for accurate canopy frame painting of the
Fine Molds 1/48 KIT



5.) INTERIOR COLOR

6.) CAMOUFLAGE COLOR



REFERENCES: MARU MECHANIC # 27 / 1981

LIQUID MASK - 