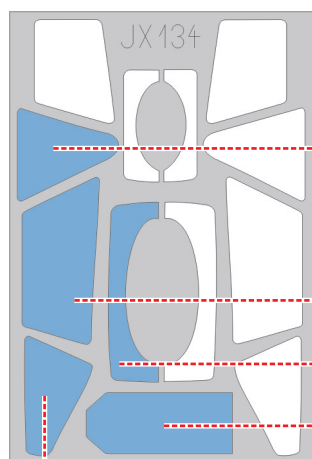
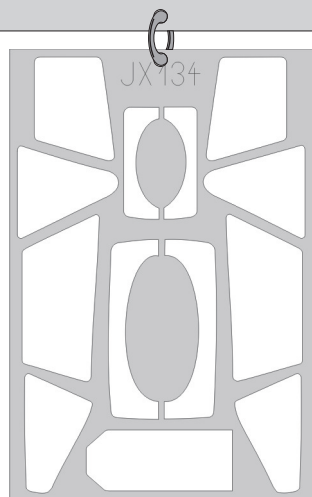


**eduard**  
**MASK**

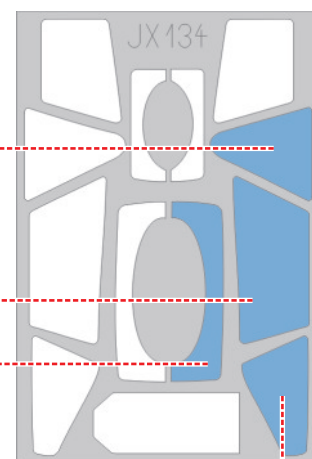
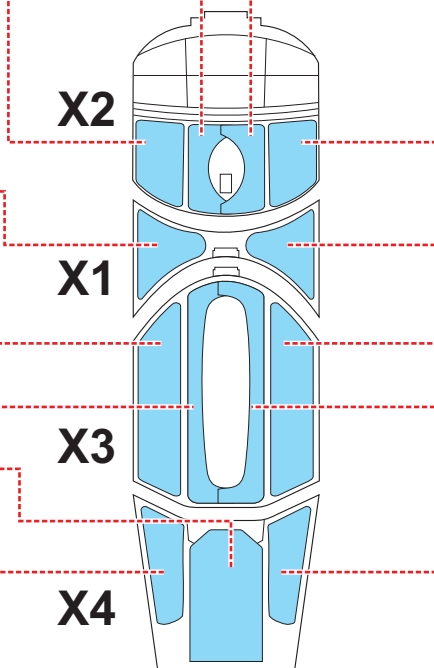
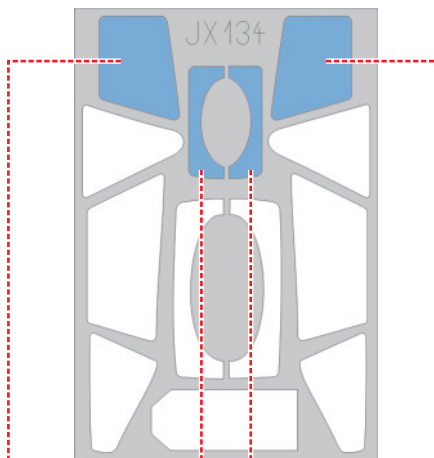
**JX 134**

# Su-25UB Frogfoot B 1/32

The die-cut mask for accurate canopy frame painting of the  
*Trumpeter* scale 1/32 KIT

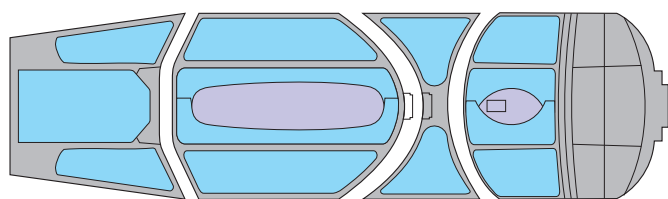


1.)



2.)

**LIQUID MASK** ■



**X4**

**X3**

**X1**

**X2**

3.)

