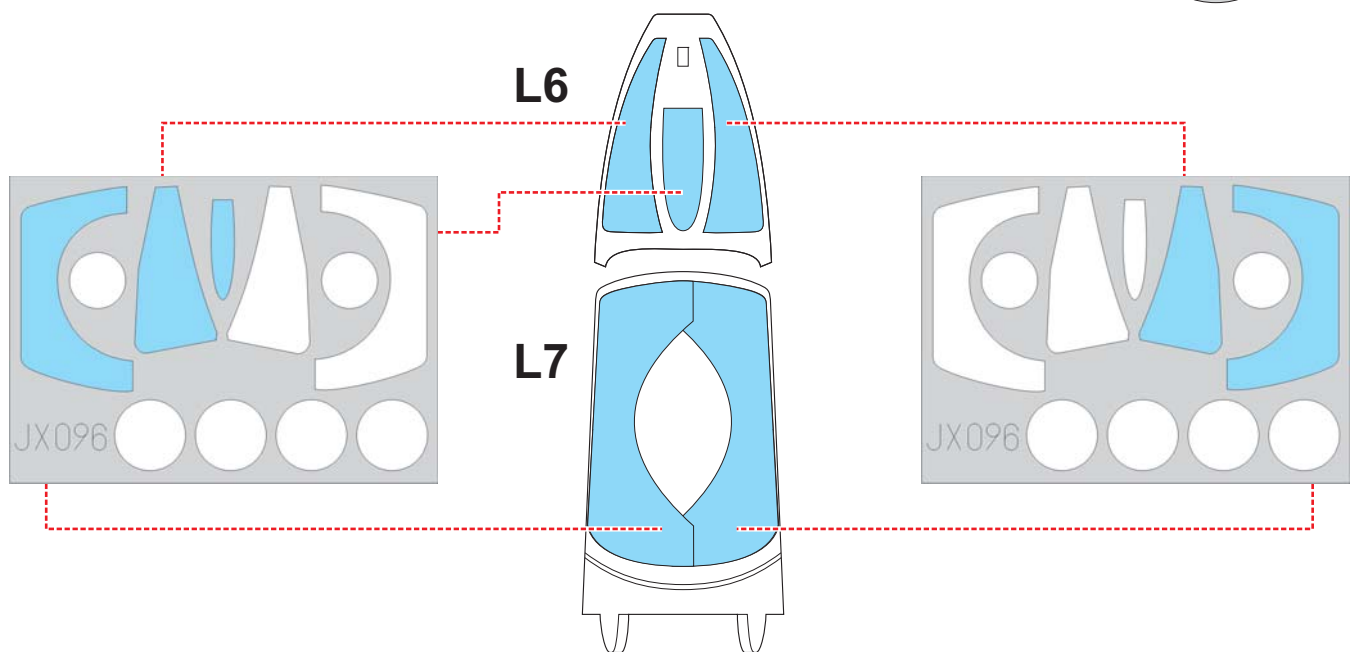
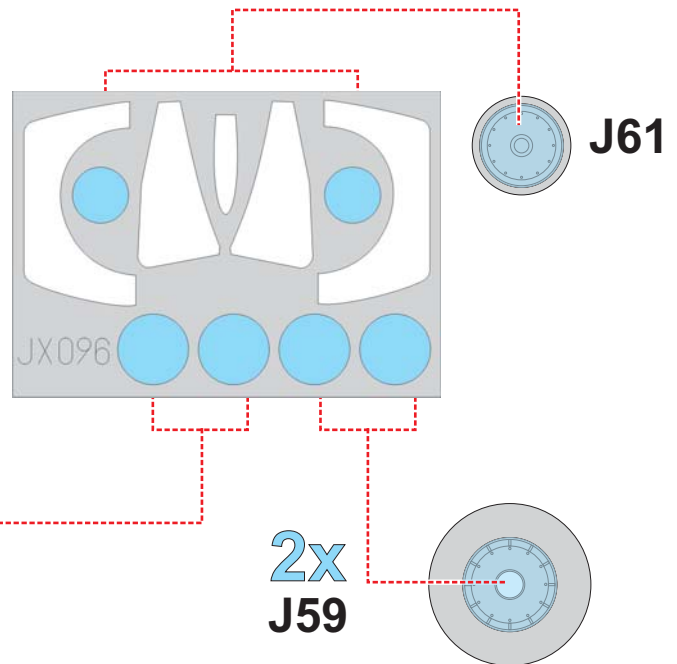
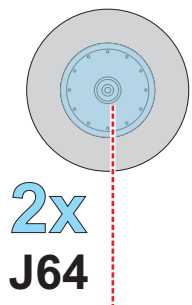
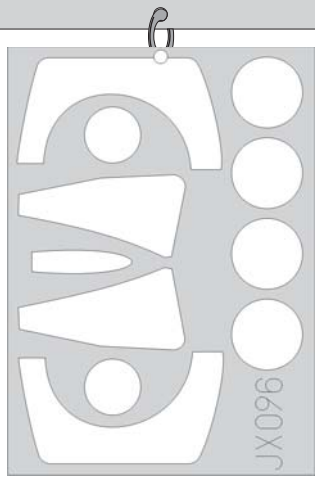


eduard
MASK

F-8J 1/32

The die-cut mask for accurate canopy frame painting of the
Trumpeter *scale 1/32 KIT*

JX 096



LIQUID MASK ■

