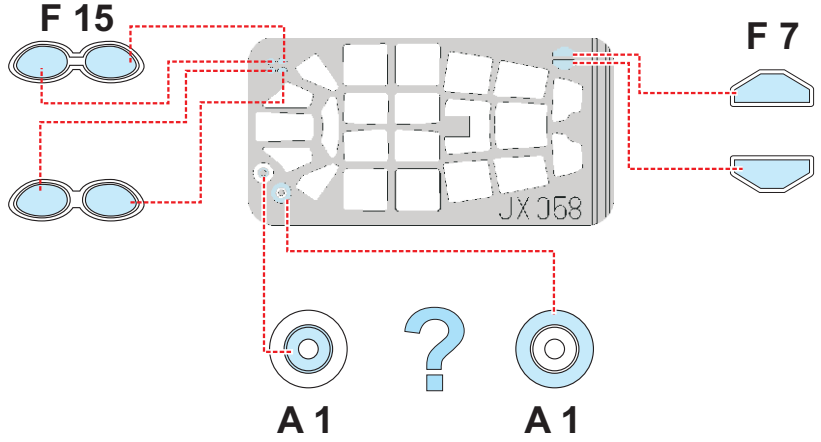
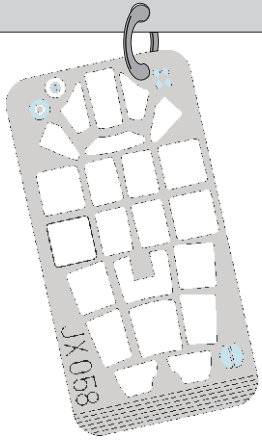


eduard  
MASK

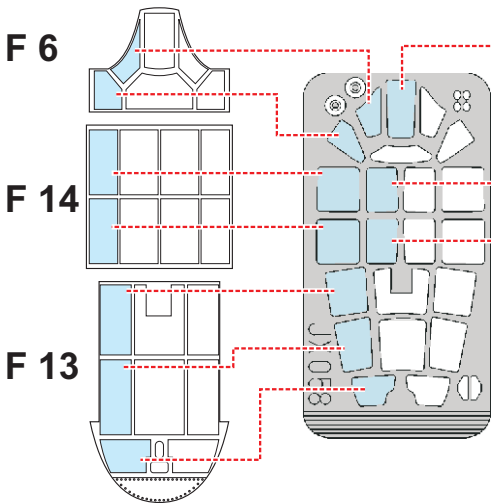
# A6M2 Zero 1/32

The die-cut mask for accurate canopy frame painting of the  
*Tamiya* scale 1/32 KIT

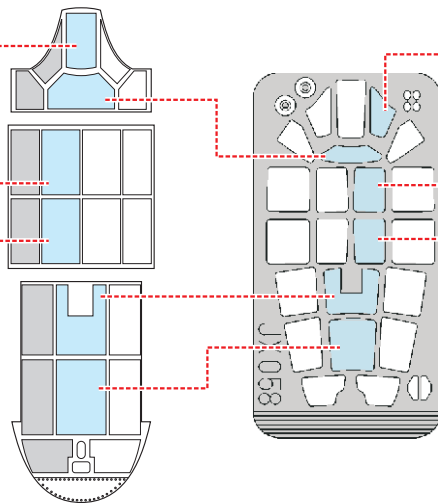
JX 058



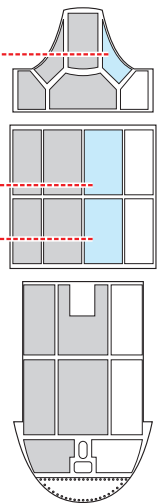
1.)



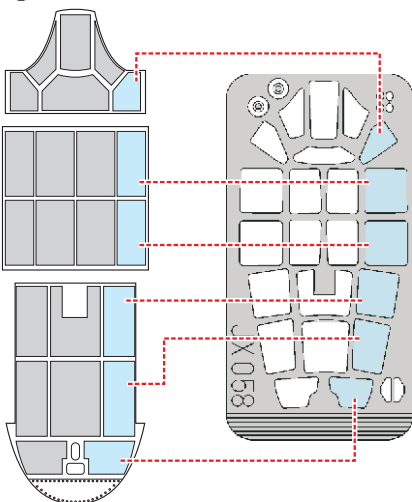
2.)



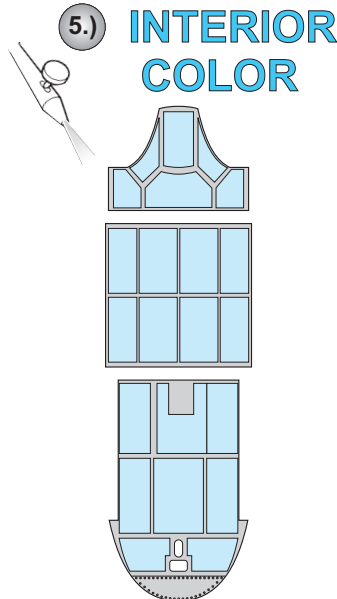
3.)



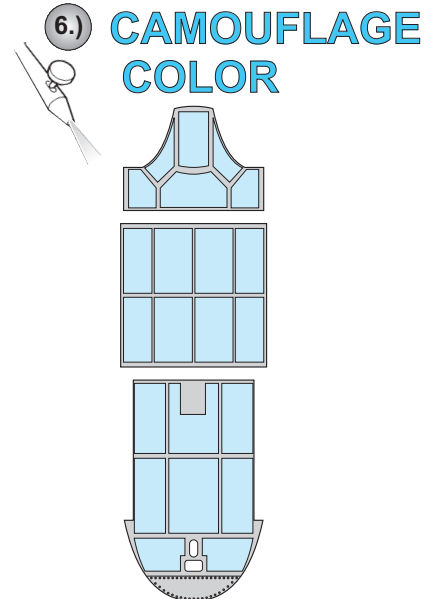
4.)



5.)



6.)



REFERENCES: THE MARU MECHANIC #1/1980  
Squadron/Signal Publ. #1059 A6M ZERO  
Monografie lotnicze #7 MITSUBISHI A6M