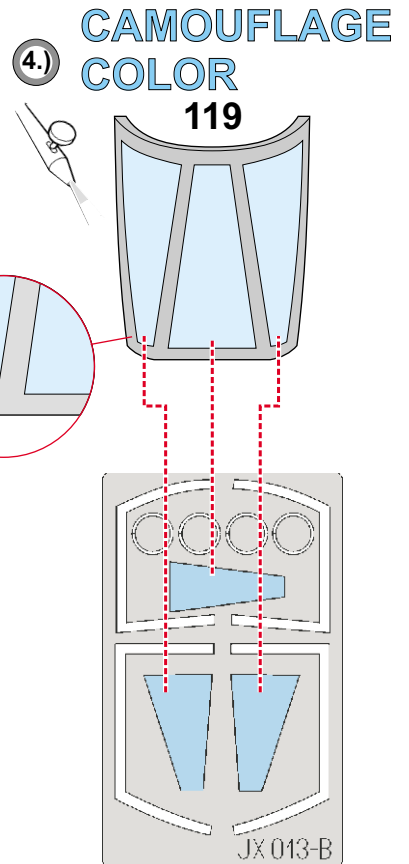
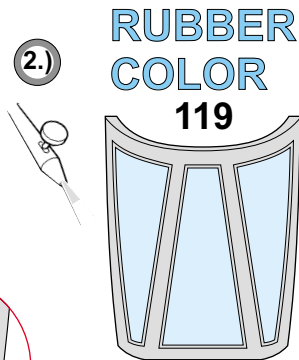
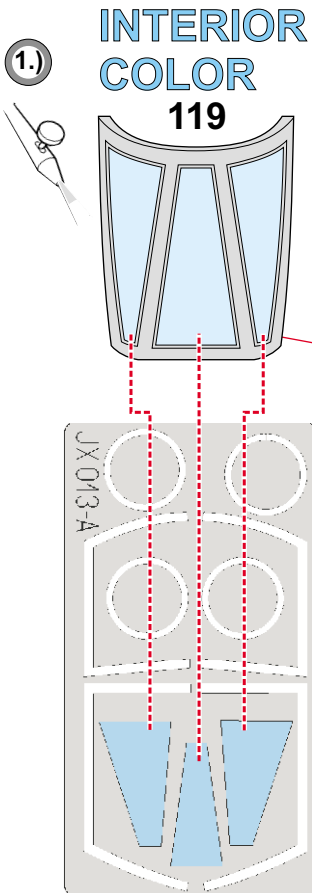
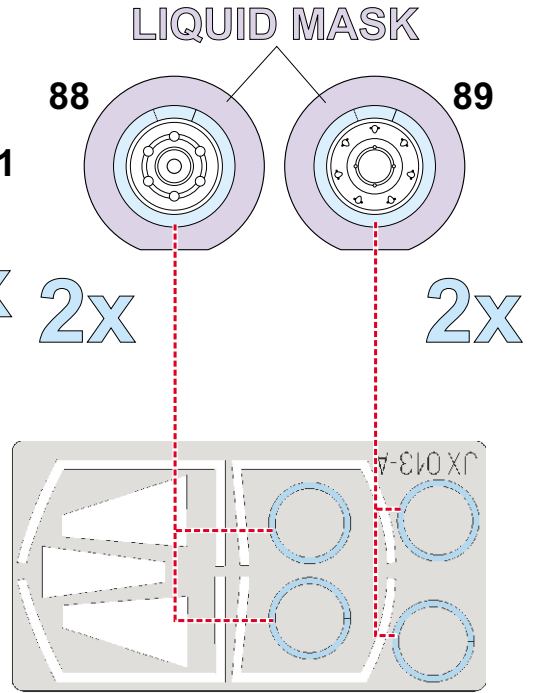
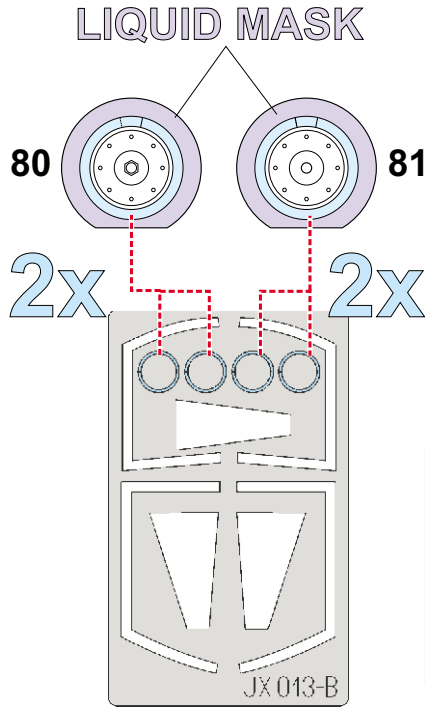
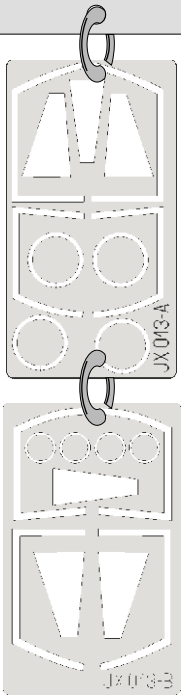


eduard  
MASK

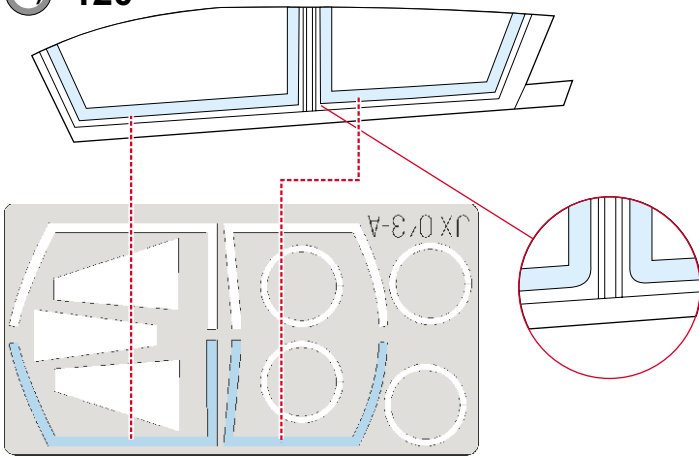
JX 013

# Tornado 1/32

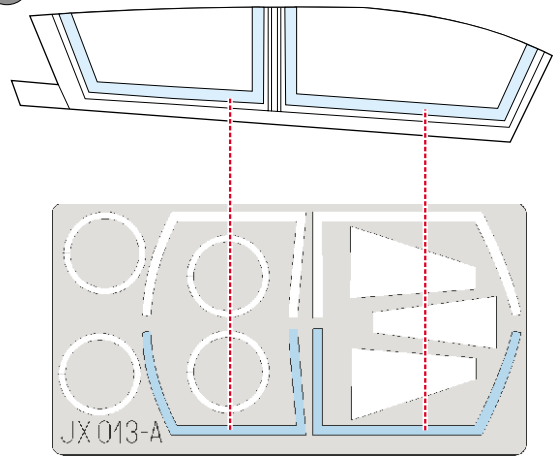
The die-cut mask for accurate canopy frame painting of the  
*Revell 1/32 KIT*



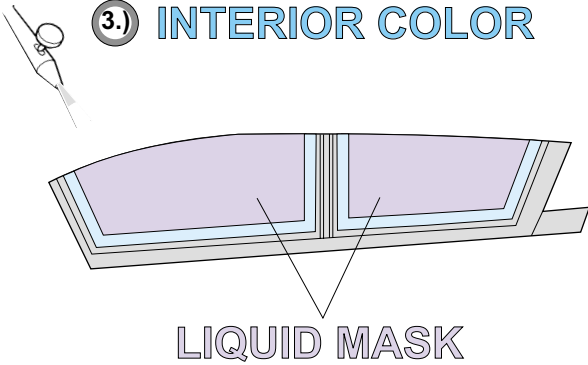
1.) 120



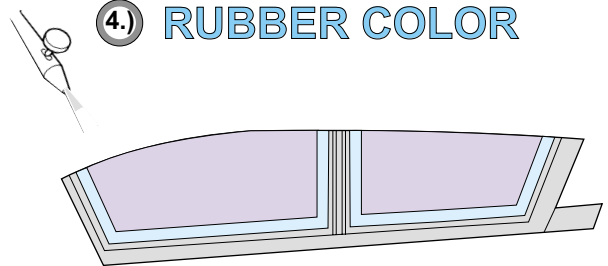
2.)



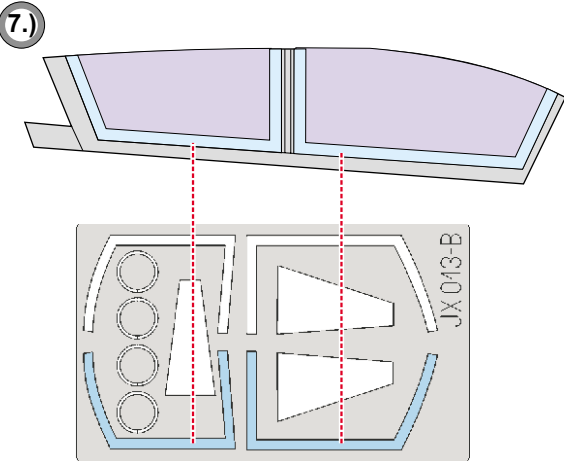
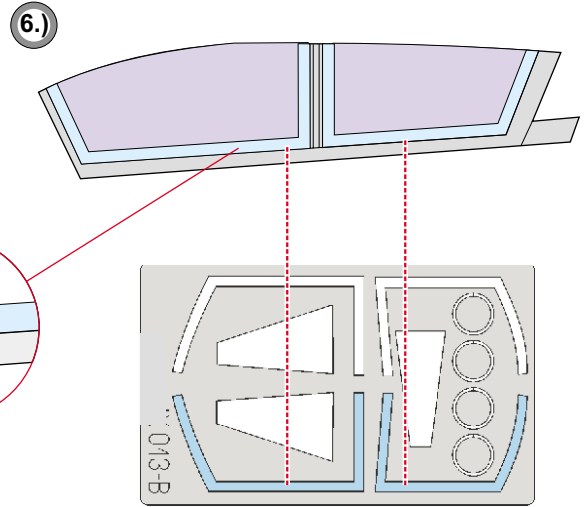
3.) INTERIOR COLOR



4.) RUBBER COLOR



5.) REMOVE MASK



8.) CAMOUFLAGE COLOR

