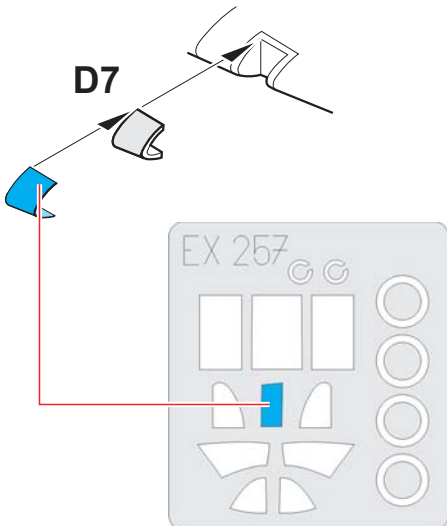
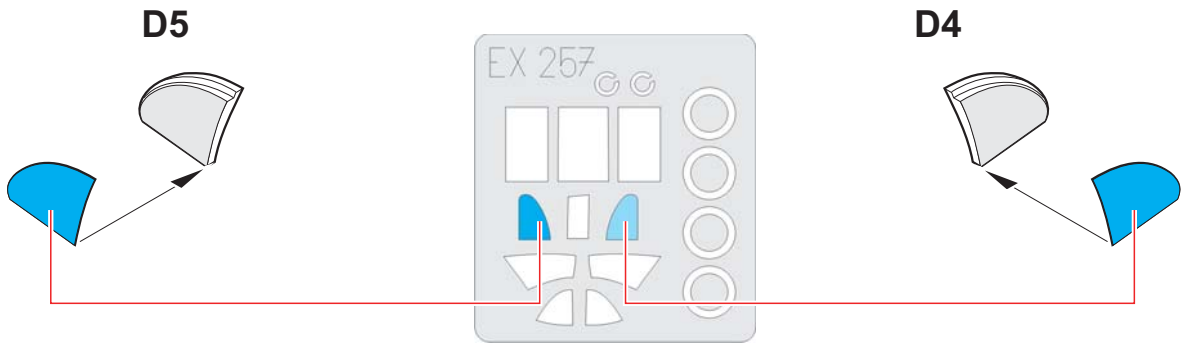
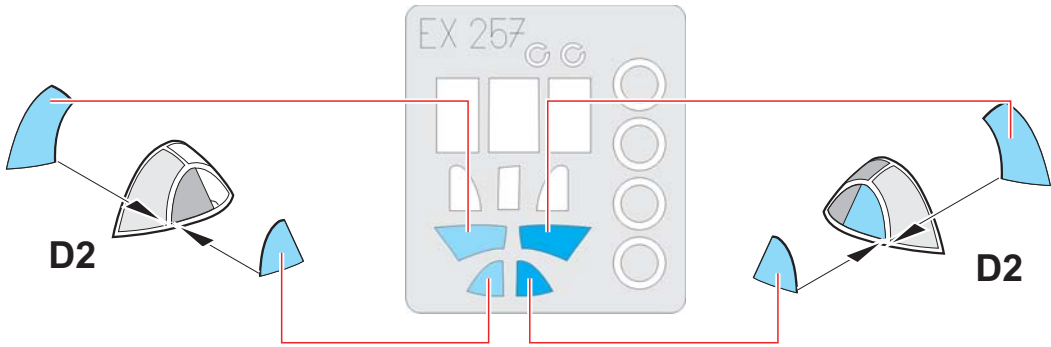
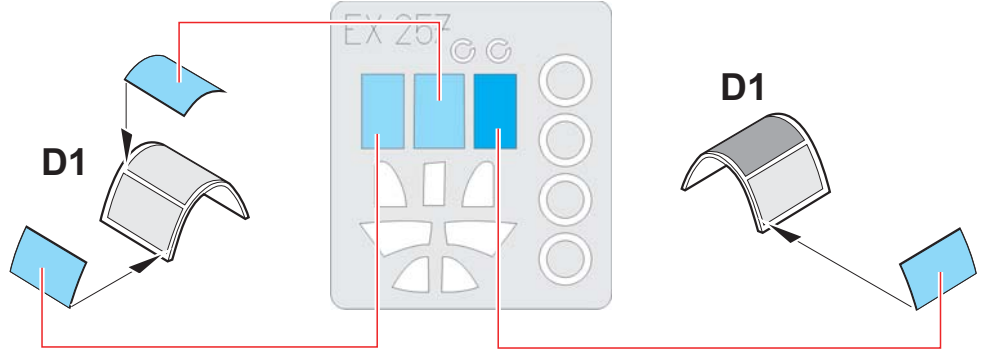
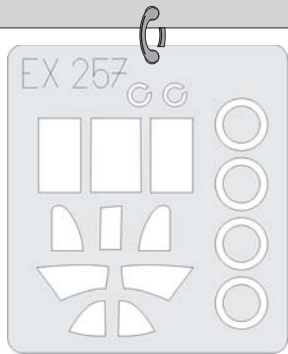


eduard
MASK

EX 257

LaGG-3 1/48

The die-cut mask for accurate canopy frame painting of the
ICM *scale 1/48 KIT*



 - LIQUID MASK
MASCOL

