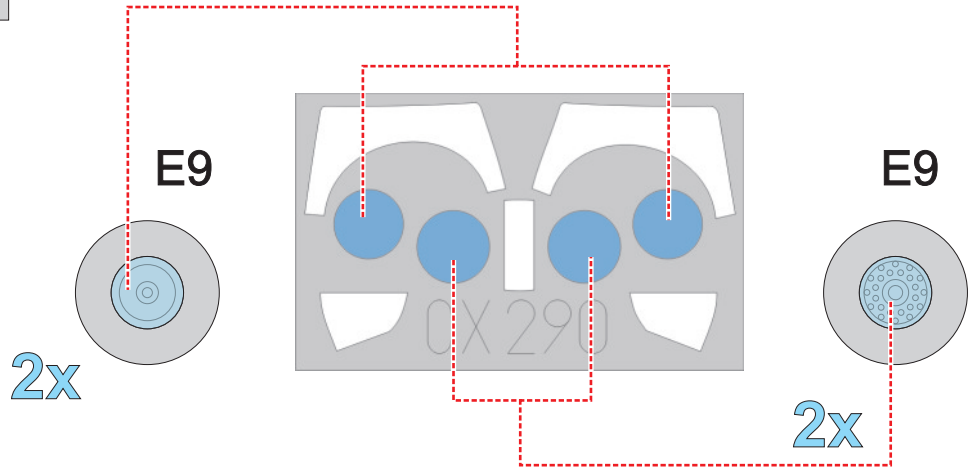
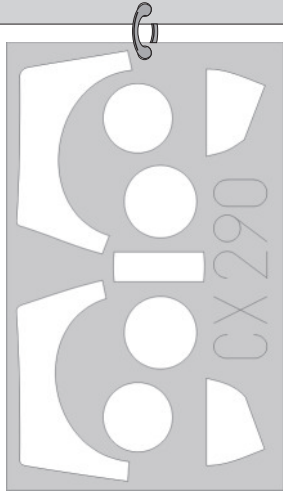


eduard  
MASK

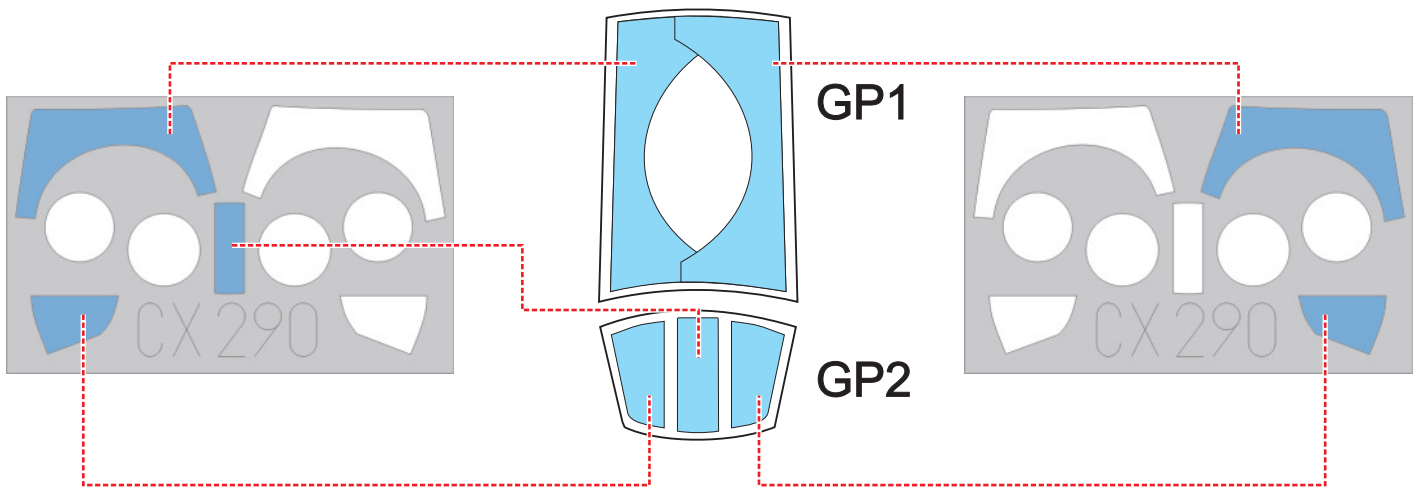
CX 290

# Seahawk FGA.6 1/72

The die-cut mask for accurate canopy frame painting of the  
*Hobby Boss* scale 1/72 KIT

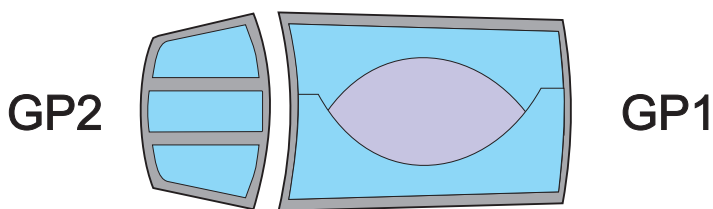


1.)



2.)

LIQUID MASK ■



3.)

