

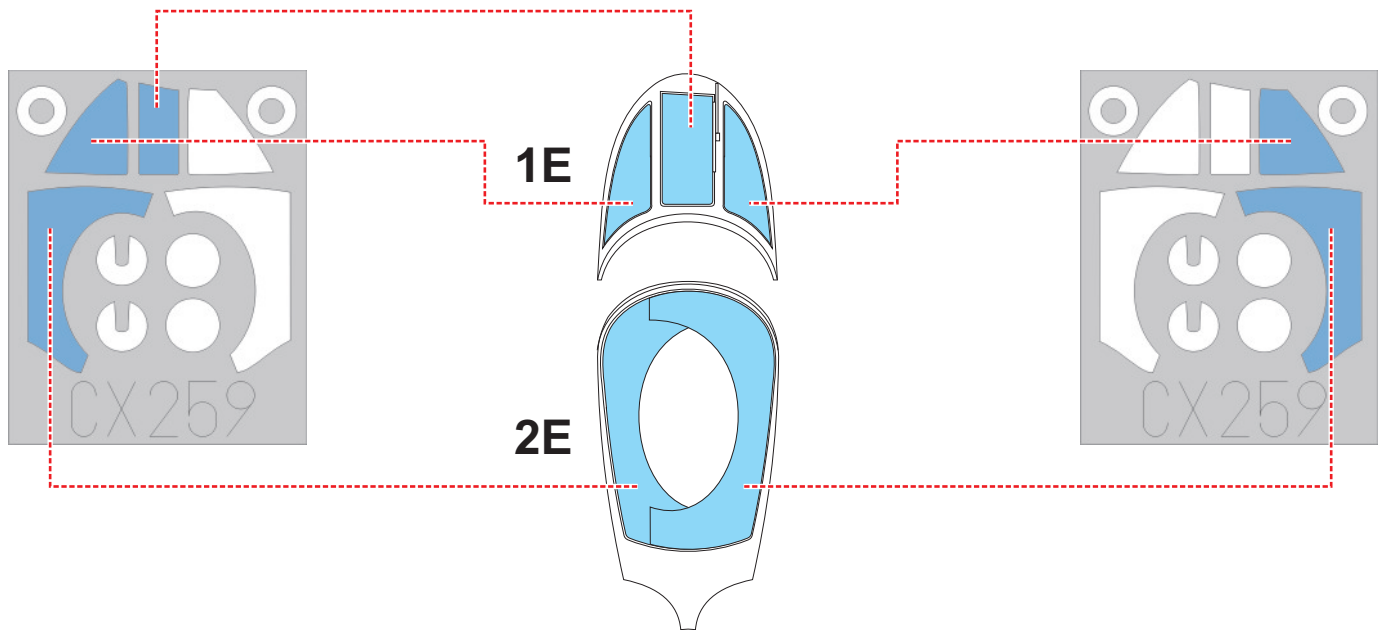
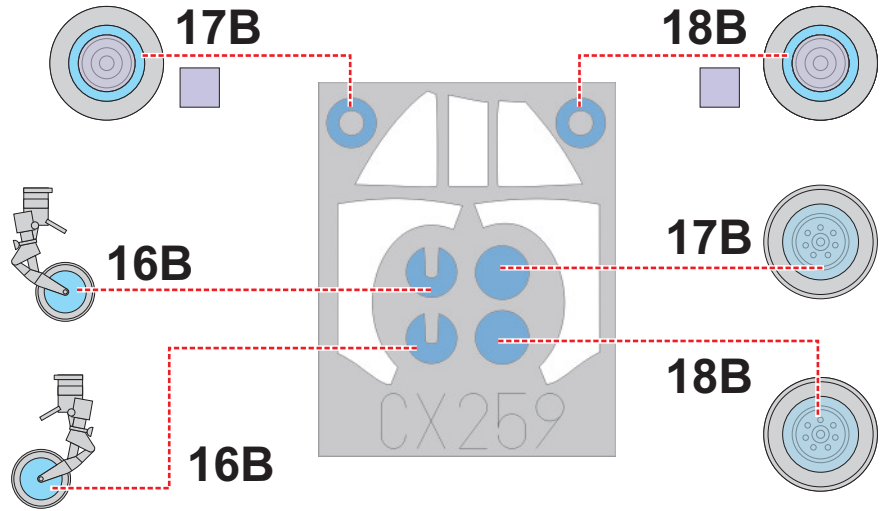
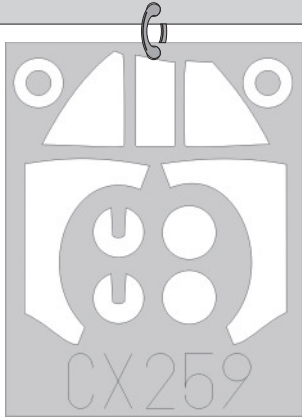
eduard
MASK

CX 259

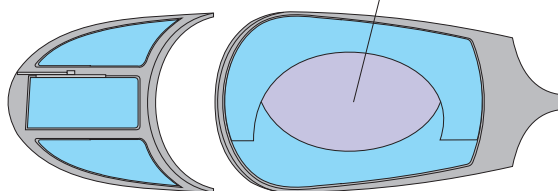
Sea Harrier FRS.1/FRS.2 1/72

The die-cut mask for accurate canopy frame painting of the *Airfix* scale 1/72 KIT

LIQUID MASK ■



LIQUID MASK ■



1E

2E

