

eduard
MASK

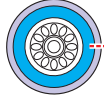
CX 228

F-16CJ Fighting Falcon 1/72

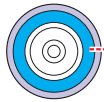
The die-cut mask for accurate canopy frame painting of the Academy scale 1/72 KIT



E8
2pcs.



E8
2pcs.



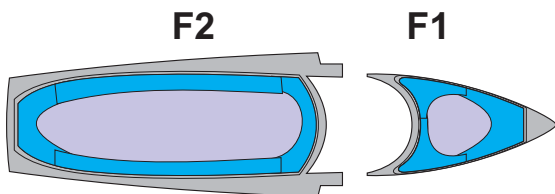
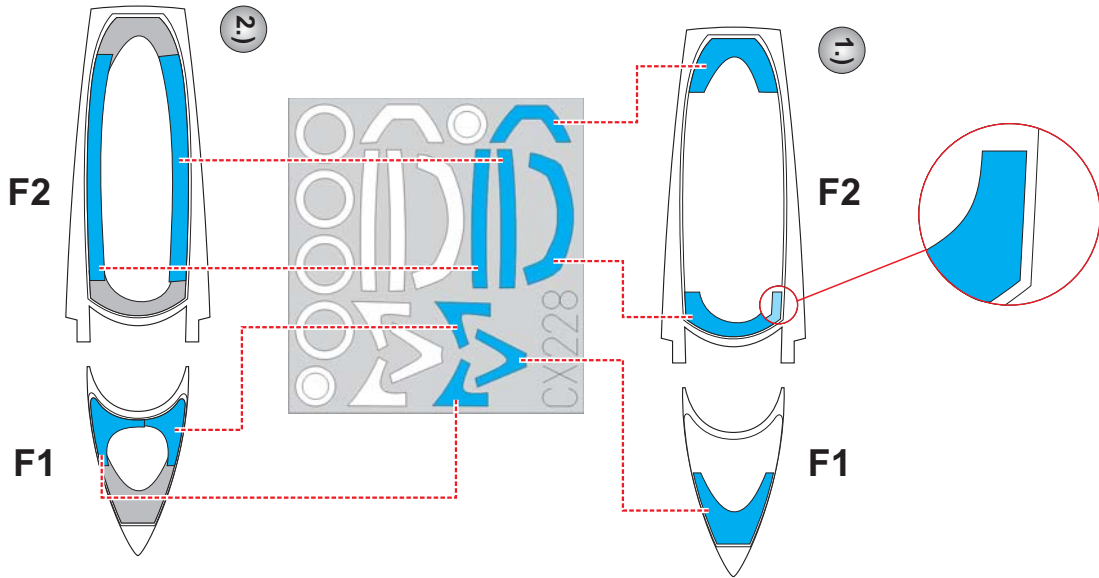
C18



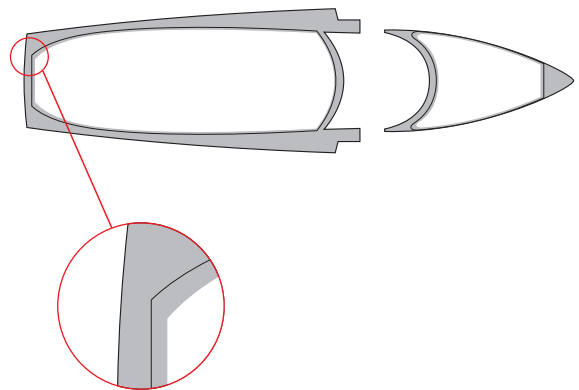
C18

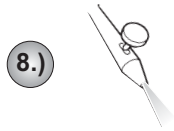
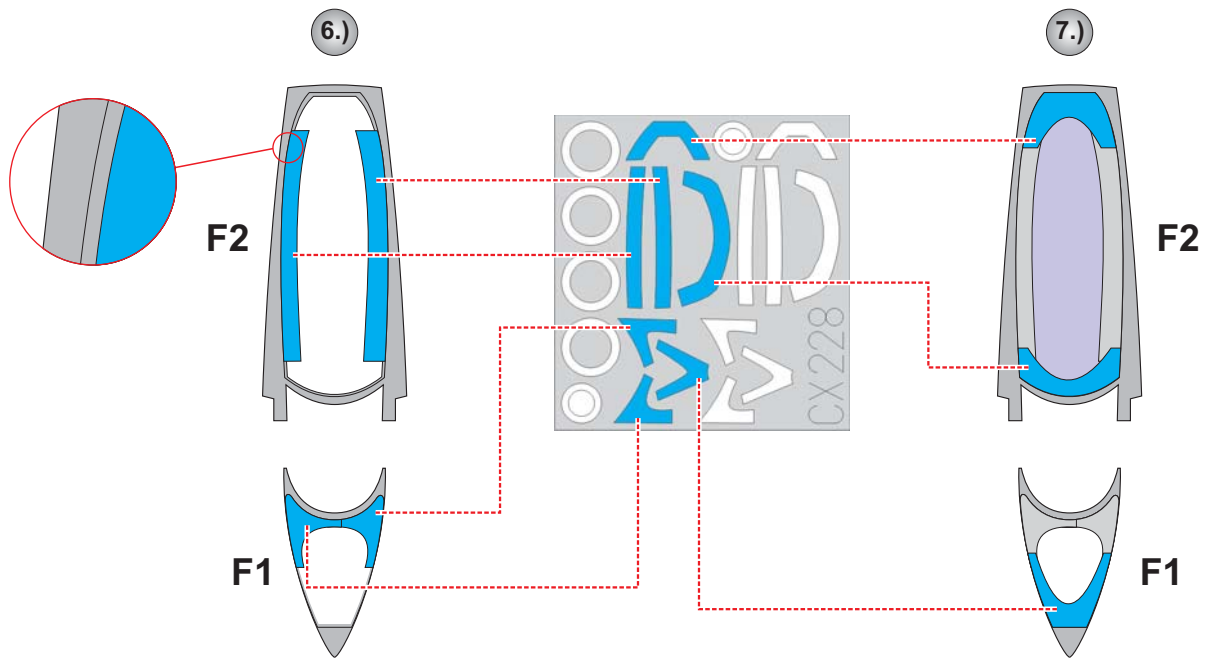


LIQUID MASK ■

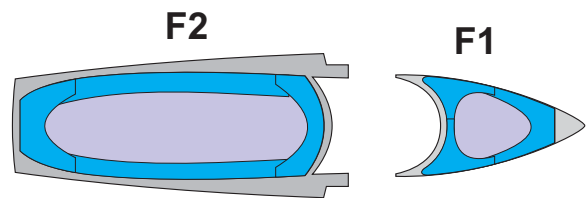


LIQUID MASK ■





CAMOUFLAGE COLOR



LIQUID MASK ■



REMOVE MASK

