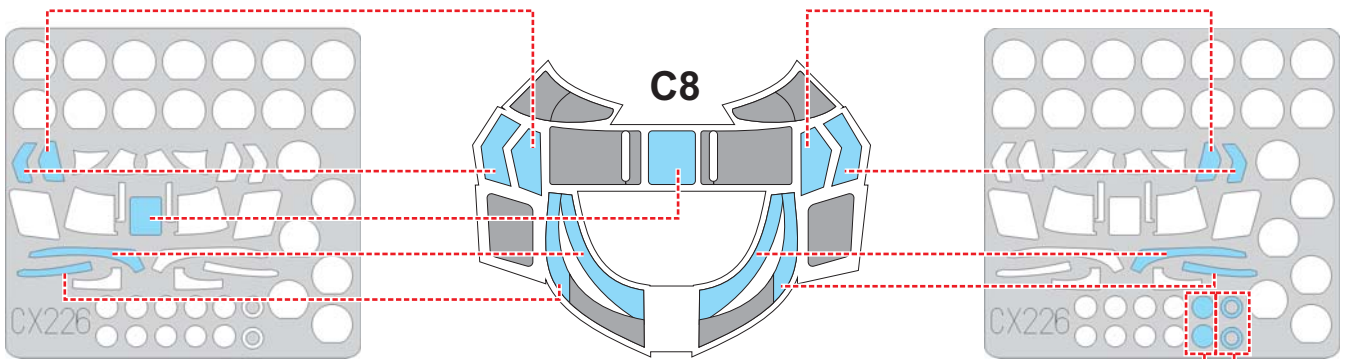
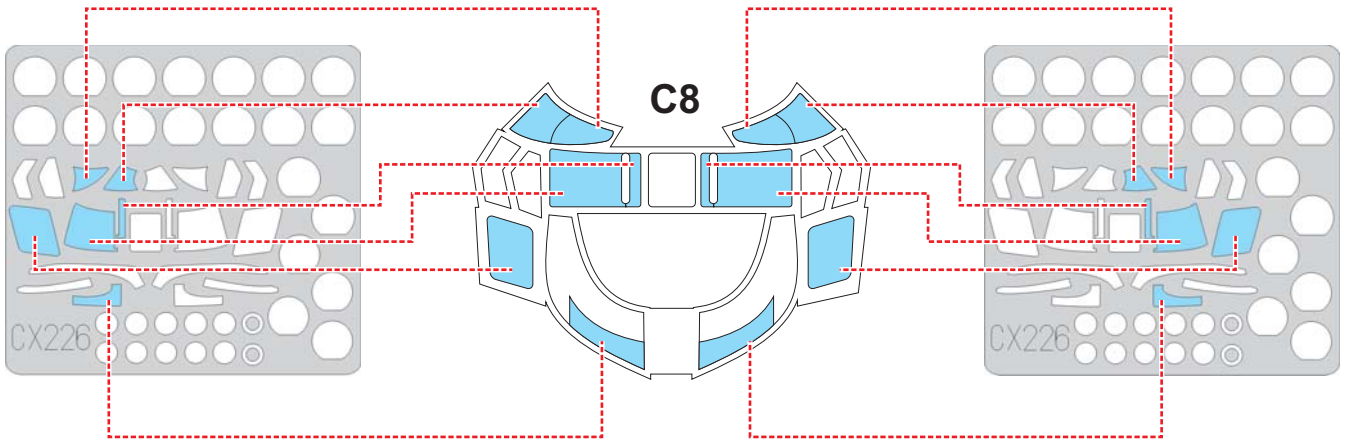
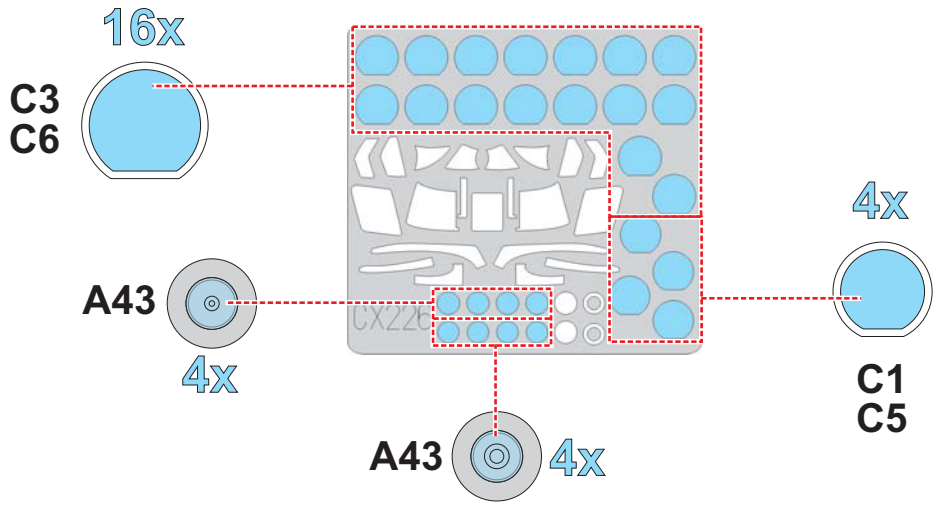
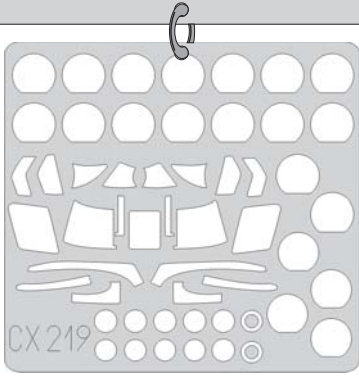


**eduard**  
**MASK**

**CX 226**

# CH-47D Chinook 1/72

The die-cut mask for accurate canopy frame painting of the  
*Trumpeter* scale 1/72 KIT



**LIQUID MASK**

