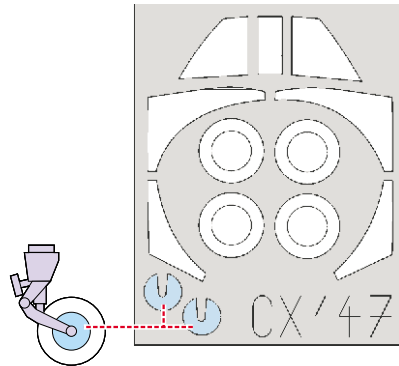
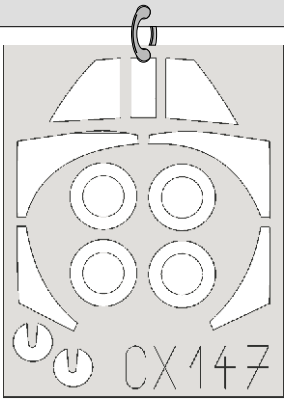


eduard  
MASK

# AV-8A Harrier 1/72

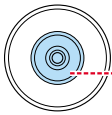
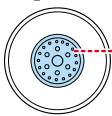
The die-cut mask for accurate canopy frame painting of the  
*Hasegawa* scale 1/72 KIT

## CX 147

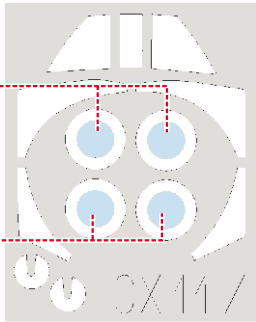


LIQUID MASK ■

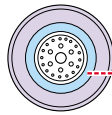
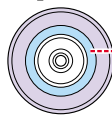
D49  
2pcs.



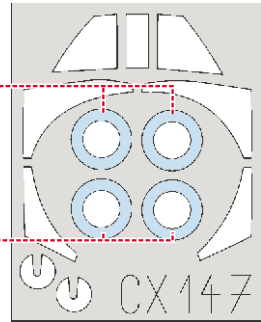
D49  
2pcs.



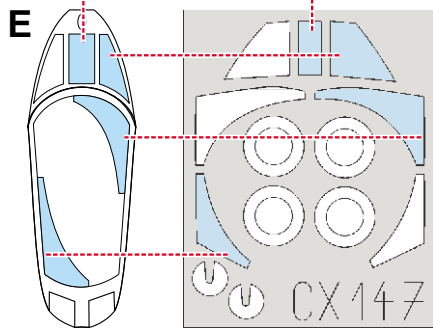
D49  
2pcs.



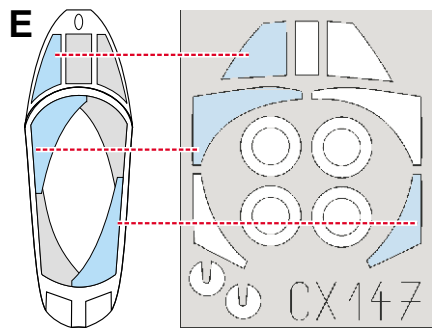
D49  
2pcs.



1.)



2.)



3.)



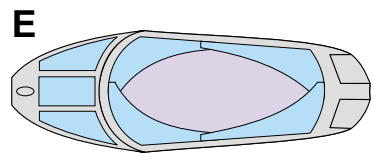
INTERIOR COLOR

4.)

CAMOUFLAGE COLOR

5.)

REMOVE MASK



LIQUID MASK ■

