

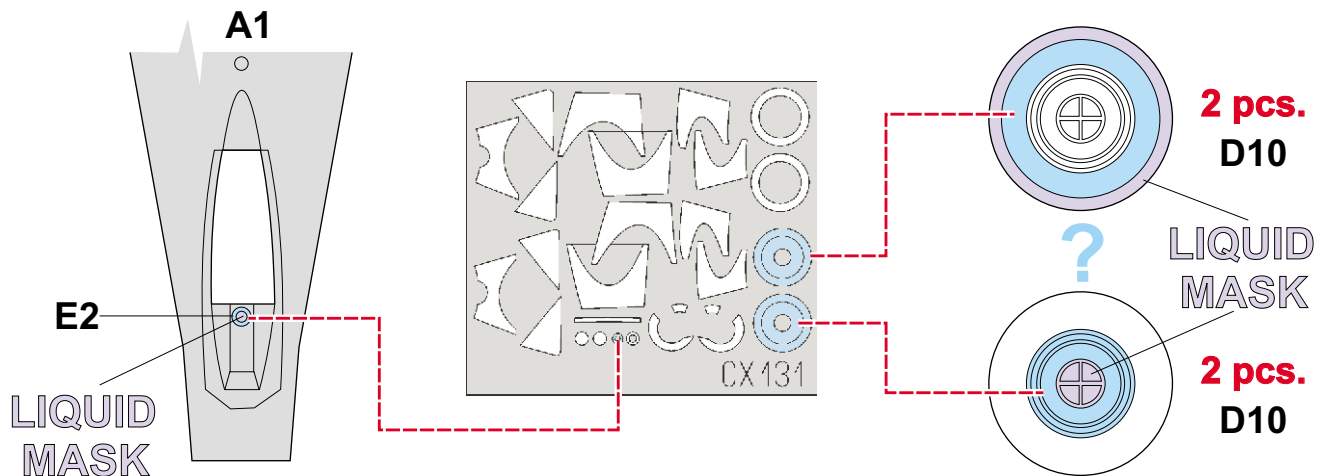
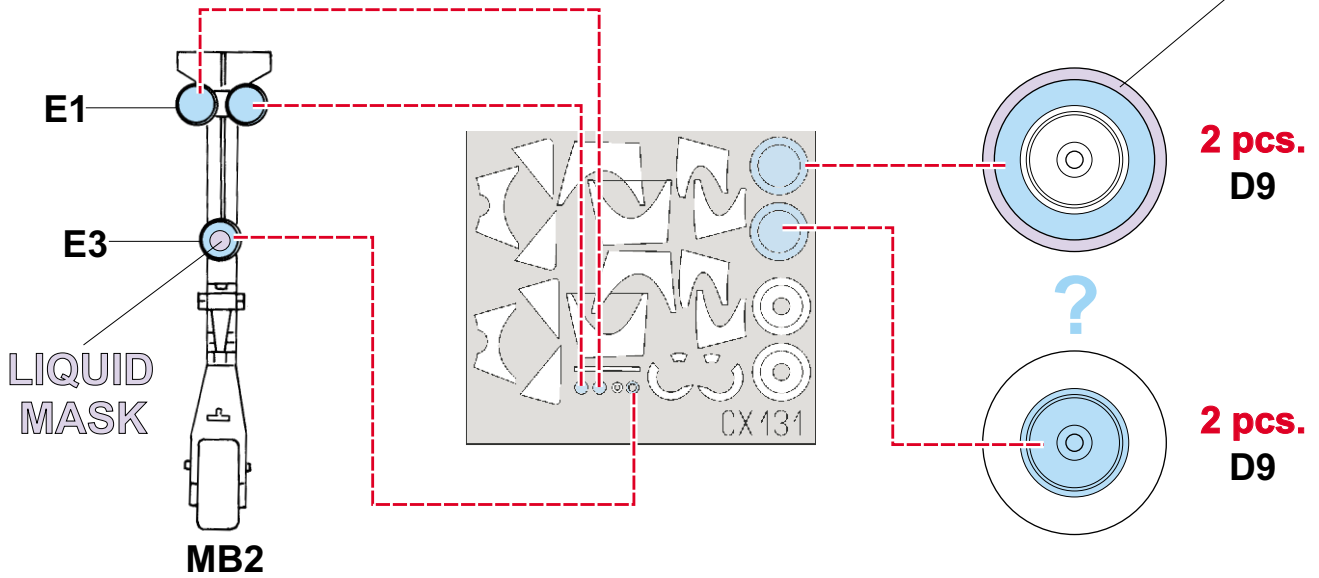
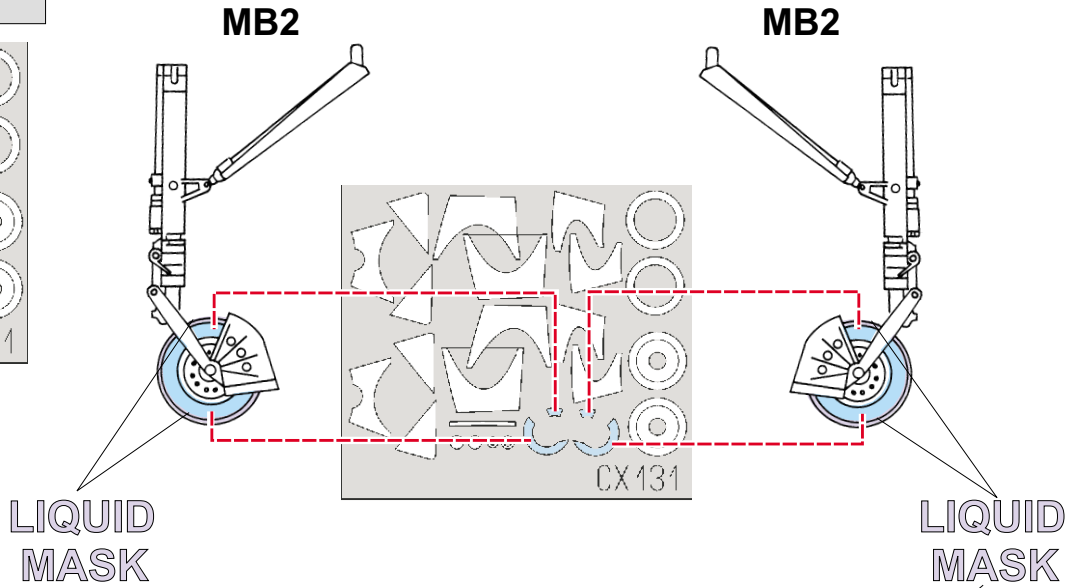
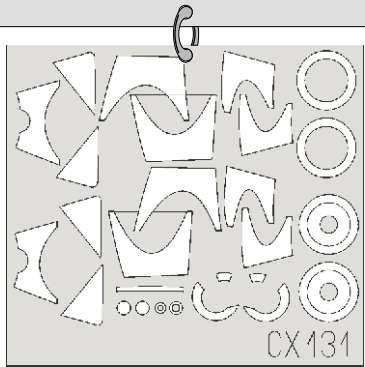
eduard
MASK

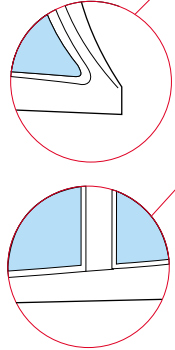
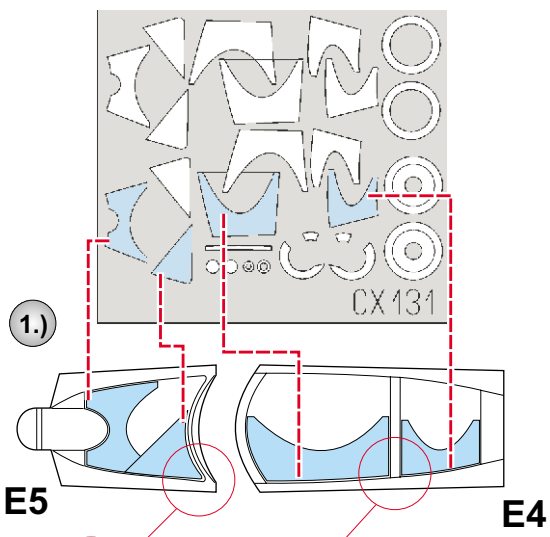
Su-27 Flanker B 1/72

The die-cut mask for accurate canopy frame painting of the
Hasegawa/Revell scale 1/72 KIT

CX 131

REFERENCES: Verlinden Lock on # 17
Concord # 1014: Soviet aircraft

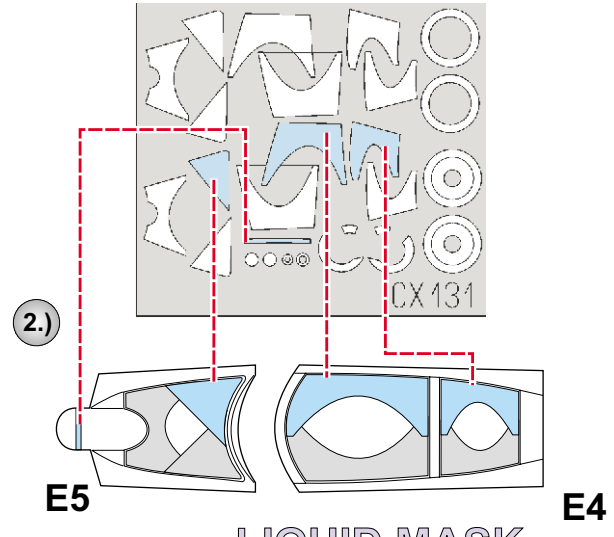




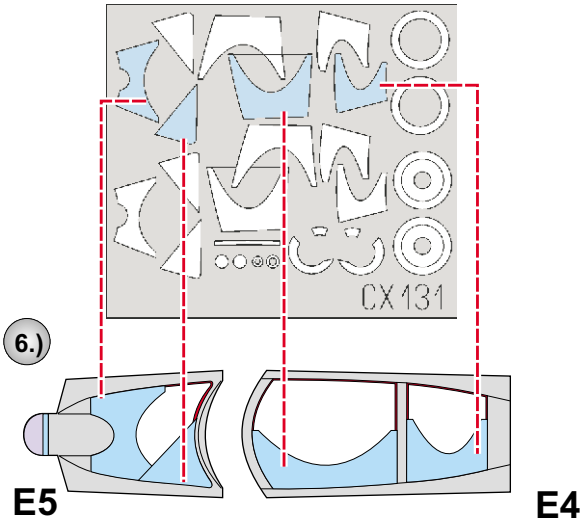
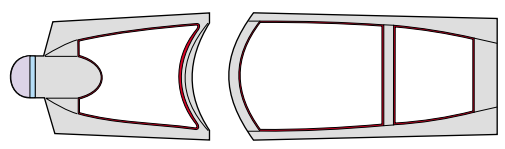
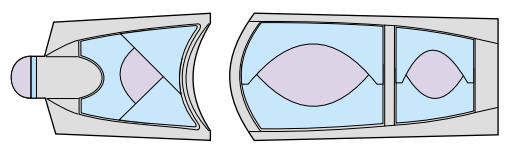
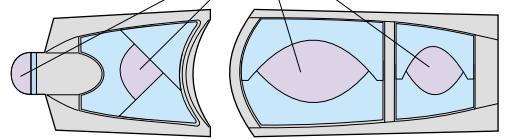
3.) INTERIOR COLOR

4.) RUBBER COLOR

5.) REMOVE MASK

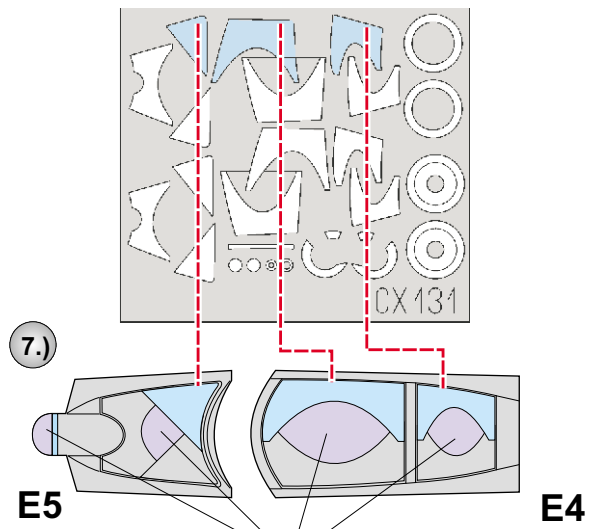


LIQUID MASK



8.) CAMOUFLAGE COLOR

9.) REMOVE MASK



LIQUID MASK

