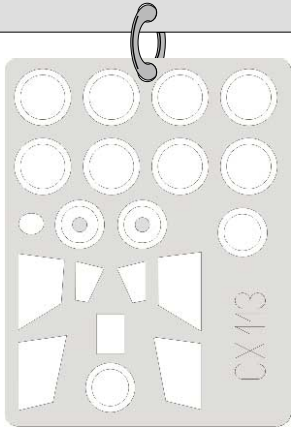


eduard
MASK

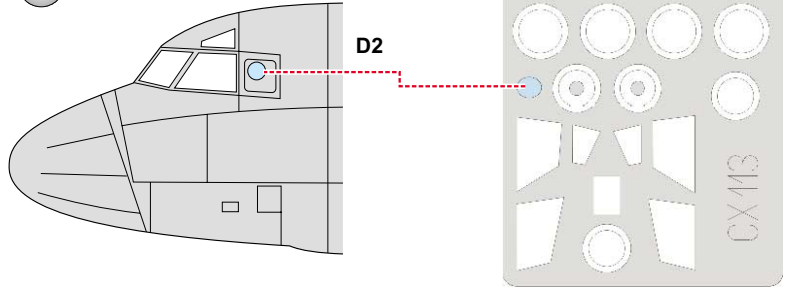
P-3C Orion 1/72

The die-cut mask for accurate canopy frame painting of the
Hasegawa scale 1/72 KIT

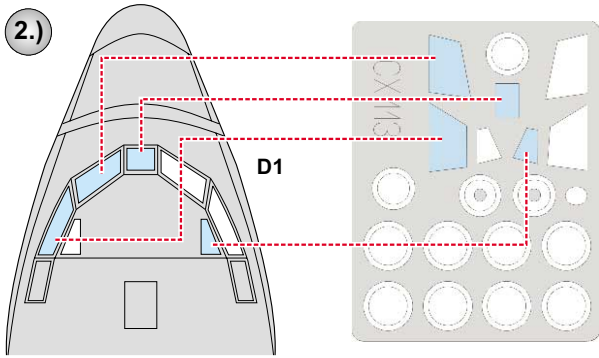
CX 113



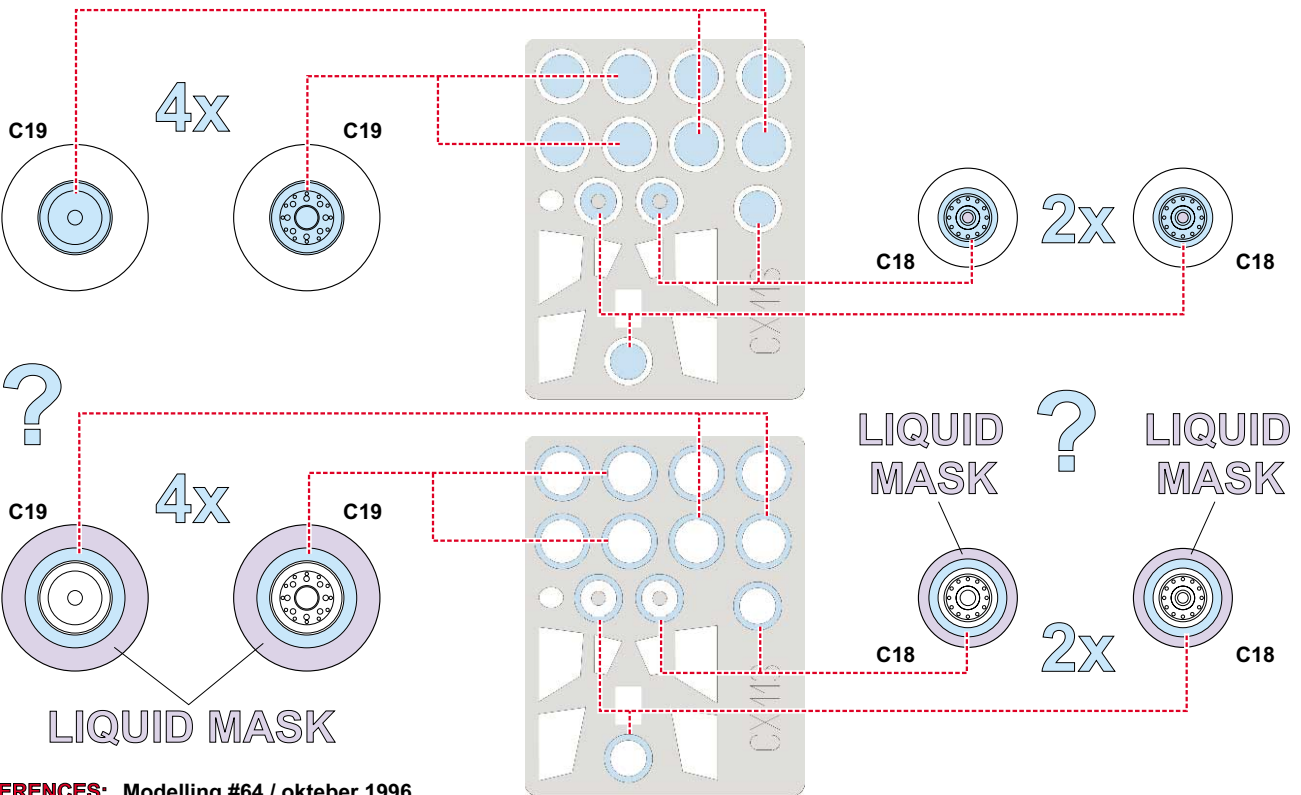
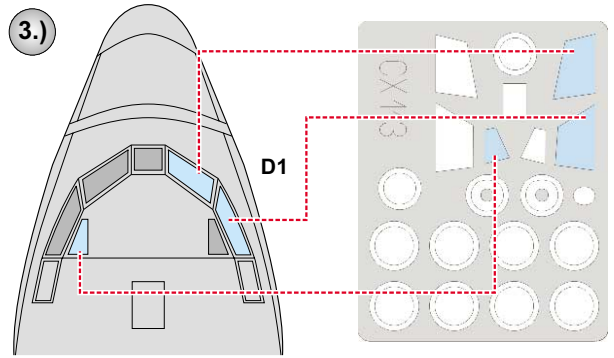
1.)



2.)



3.)



REFERENCES: Modelling #64 / oktober 1996