

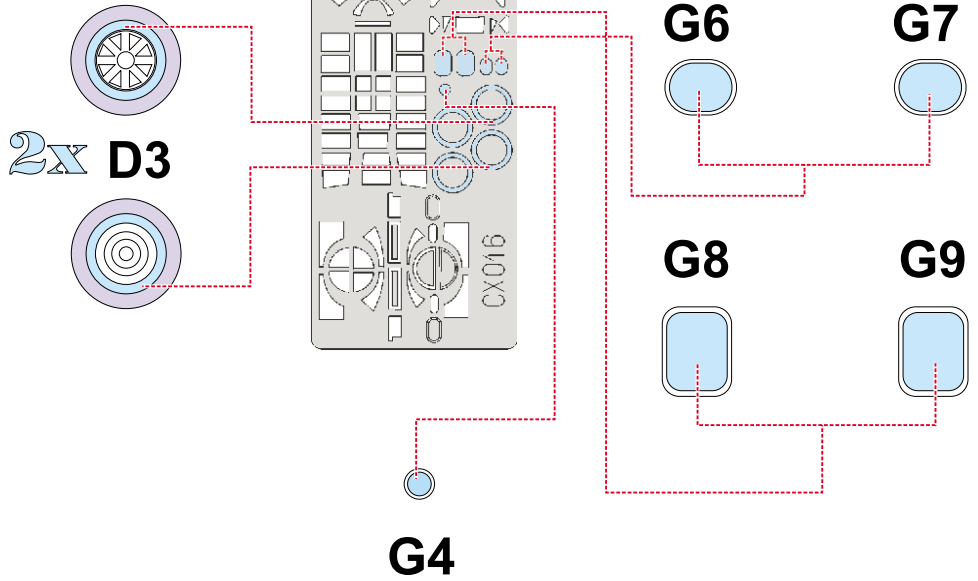
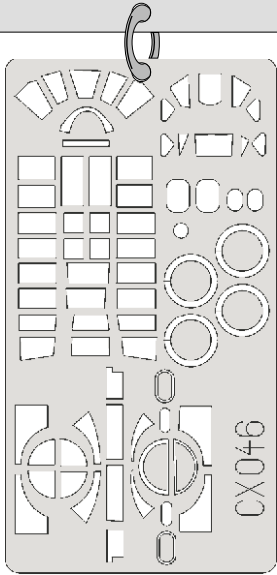
eduard
MASK

TBM/TBF Avenger 1/72

The die-cut mask for accurate canopy frame painting of the
Hasegawa 1/72 KIT

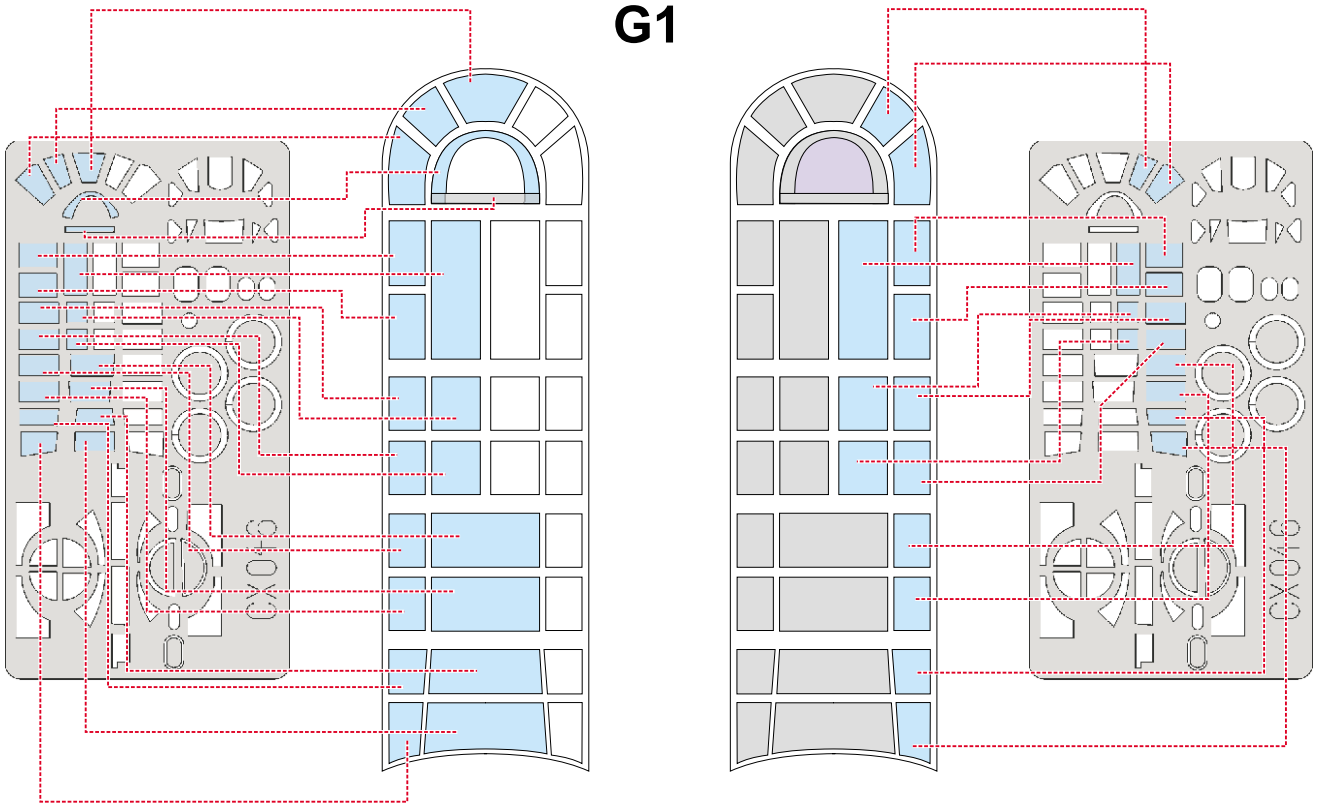
CX 046

— - LIQUID MASK
MASCOL

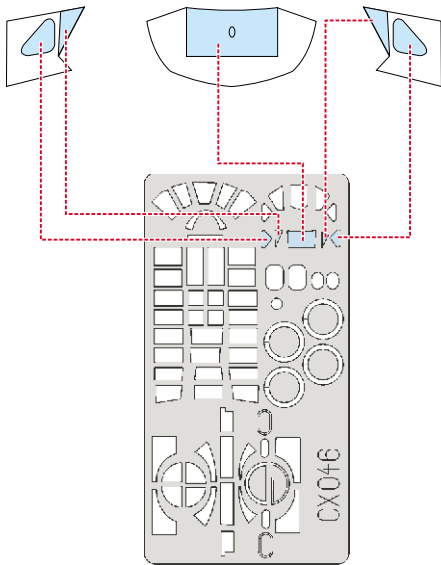


— - LIQUID MASK
MASCOL

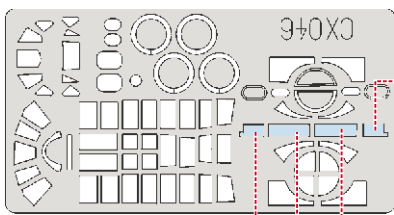
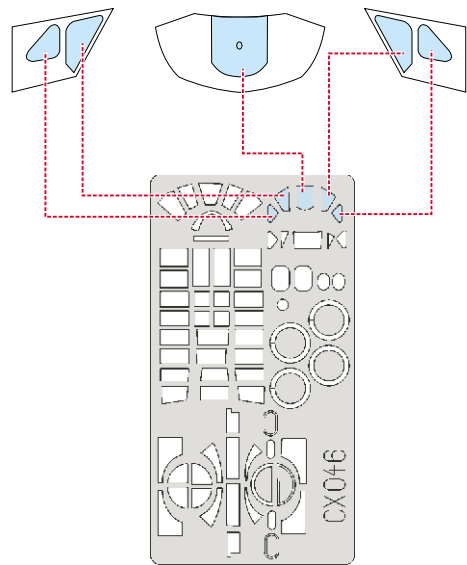
G1



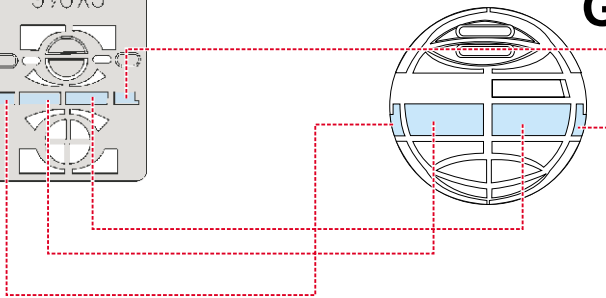
G2



G3

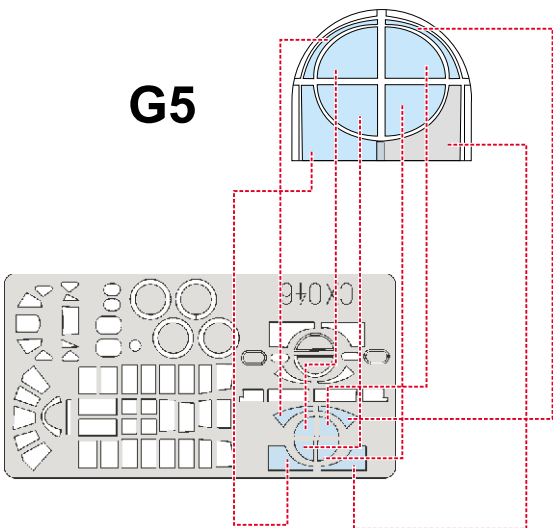


G5



 - LIQUID MASK
MASCOL

G5



G5

