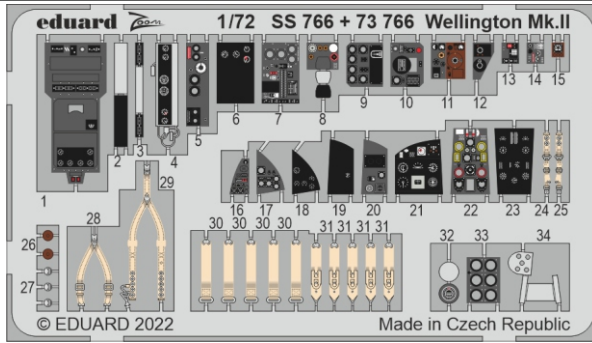




Wellington Mk.II

detail set for AIRFIX 1/72 kit • sada detailů pro stavebnici AIRFIX 1/72



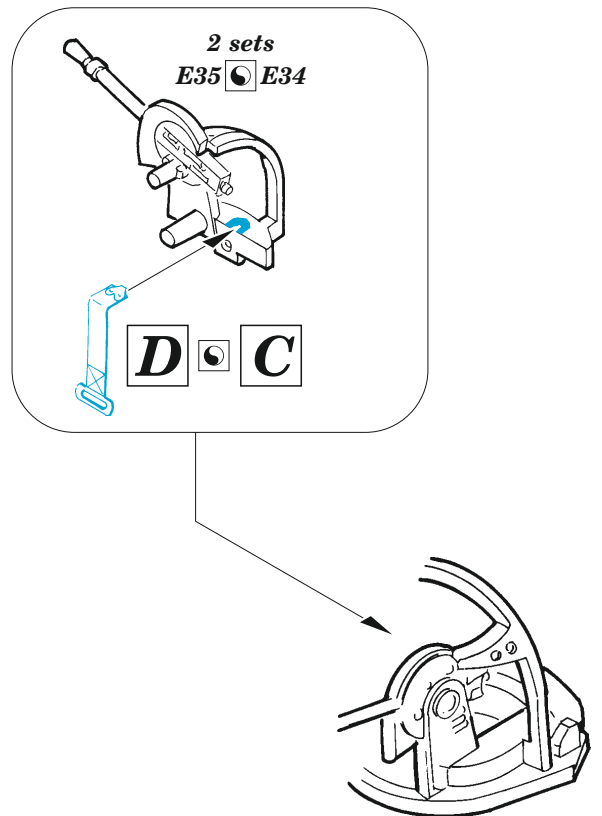
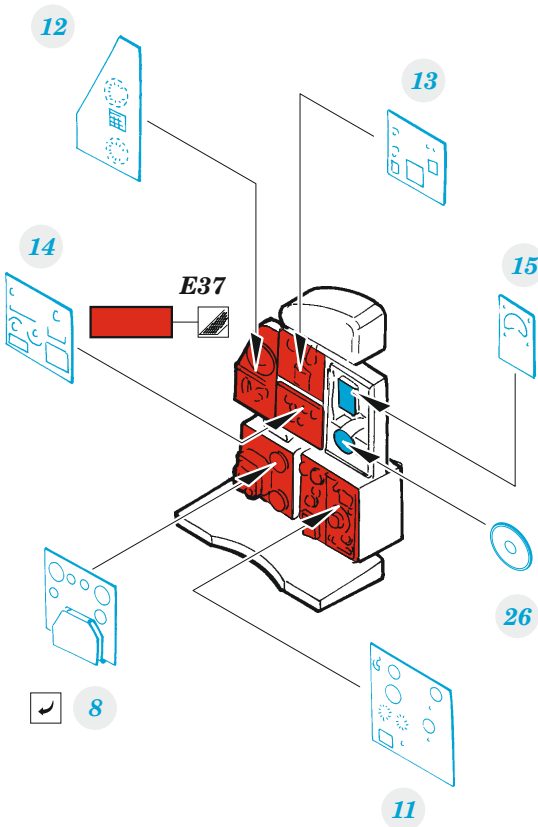
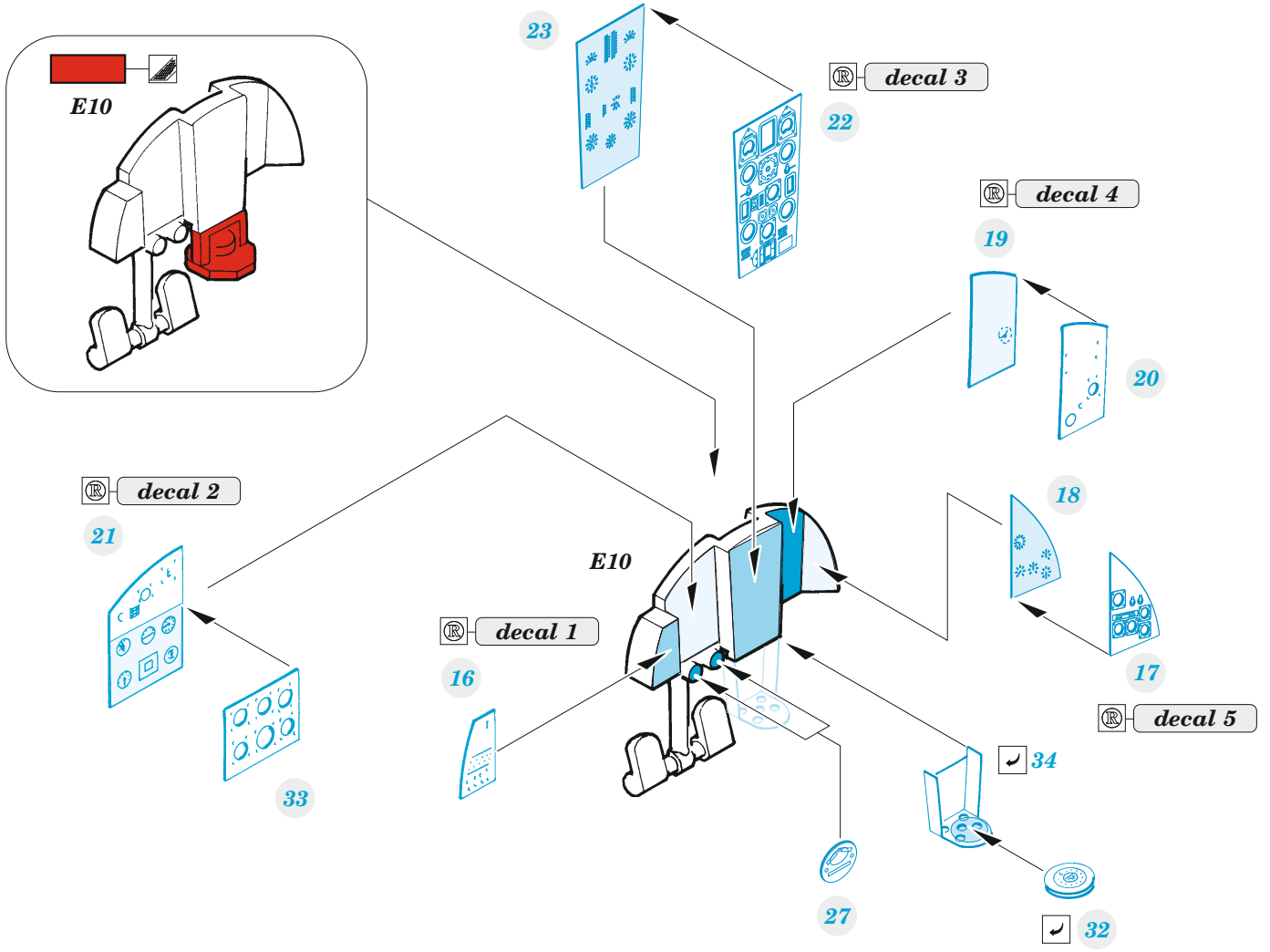
- APPLY EXPRESS MASK AND PAINT BEFORE GLUING
POUŽIT EXPRESS MASK NABARVIT PŘED SLEPENÍM
- SYMMETRICAL ASSEMBLY
SYMETRICKÁ MONTÁŽ
- REMOVE
ODSTRANIT
- GRIND
OBROUSIT
- DRILL HOLE
VRTAT OTVOR
- BEND
OHNOUT
- OPTION
VOLBA
- REPLACE
NAHRADIT
- COLORED ETCHED PARTS
LEPTANÉ BAREVNÉ DÍLY
- ETCHED PARTS
LEPTANÉ NEBAREVNÉ DÍLY
- ORIGINAL KIT PARTS
PŮVODNÍ DÍLY STAVEBNICE

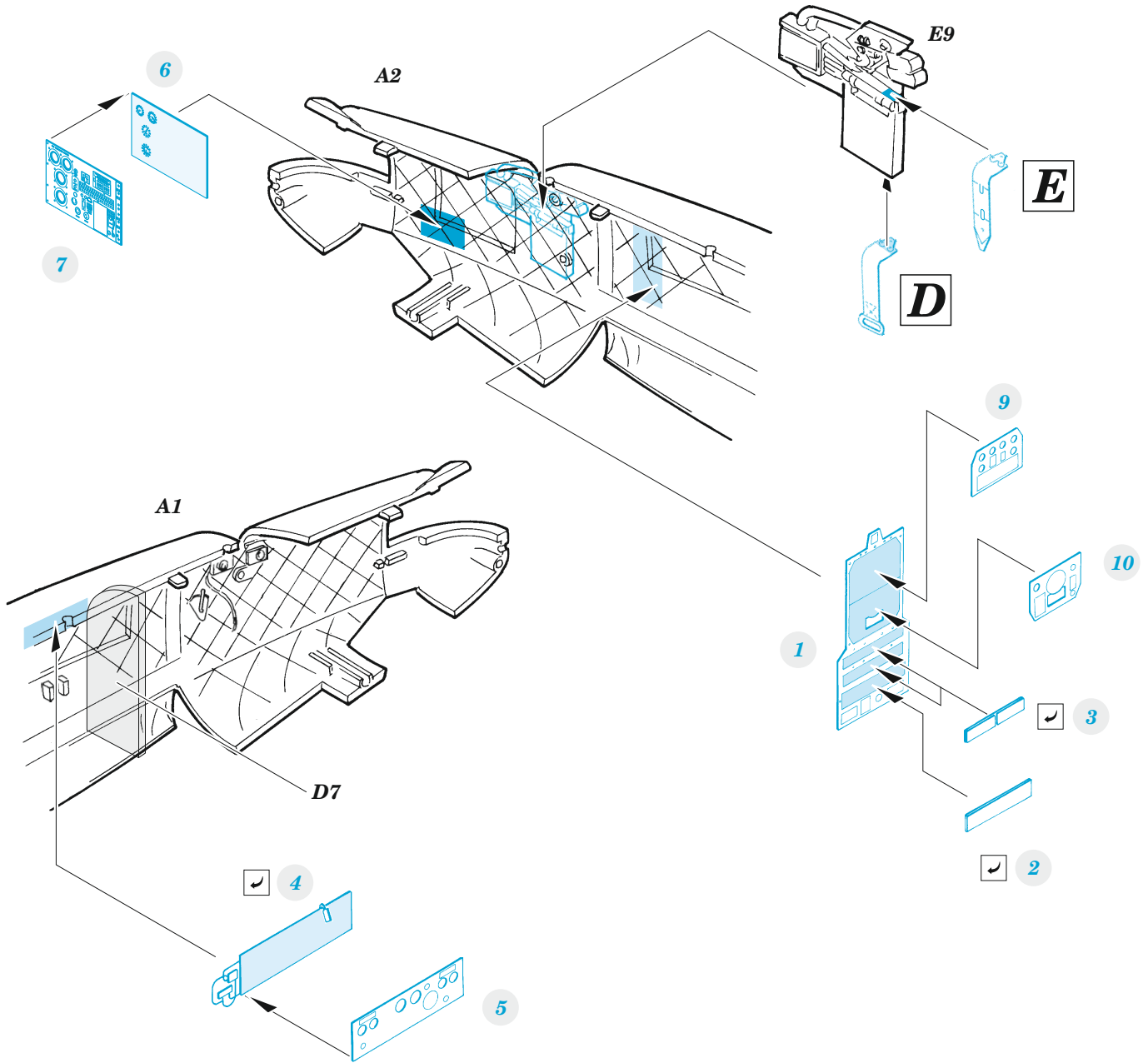
ORIGINAL KIT PARTS PŮVODNÍ DÍLY STAVEBNICE	PHOTO-ETCHED PARTS LEPTANÉ DÍLY	PARTS TO BE REMOVED DÍLY K ODSTRANĚNÍ	FILL TMELIT
---	------------------------------------	--	----------------

A 	B C 	D 	E
--------------	------------------------------	--------------	--------------

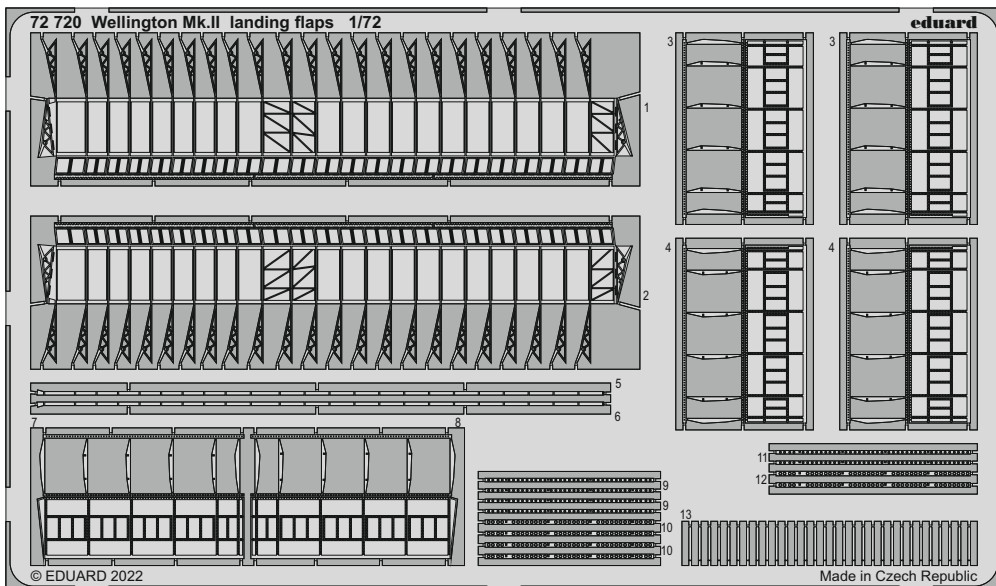
The assembly diagrams show the following steps:

- Part A:** Two long, thin photo-etched strips are attached to the seat backrest (E36) using a drill hole.
- Part B:** A curved photo-etched strip is attached to the seat backrest.
- Part C:** A photo-etched strip with a hook is attached to the seat base.
- Part D:** A photo-etched strip is attached to the seat base (E5).
- Part E:** A photo-etched strip is attached to the seat base.





Related products: 72 720 Wellington Mk.II landing flaps 1/72



Related products: 72 719 Wellington Mk.II bomb bay 1/72

