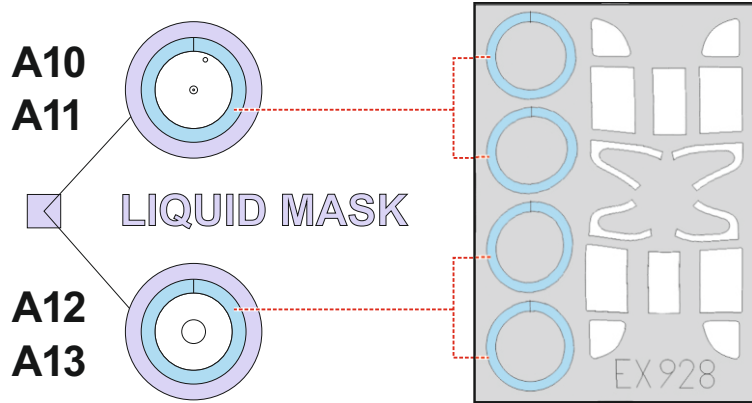
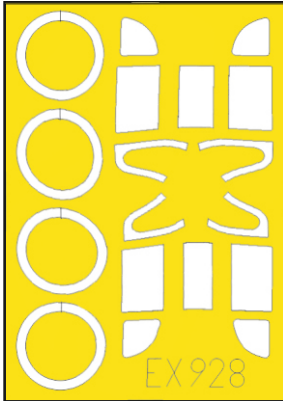
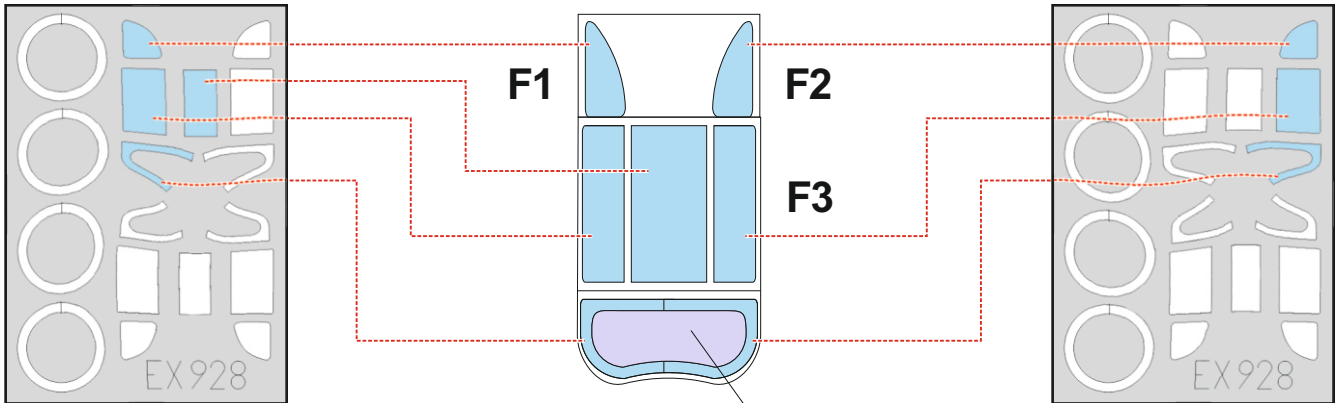


# B.534 IV serie TFace



**OUTSIDE**



**INSIDE**

