

eduard
MASK

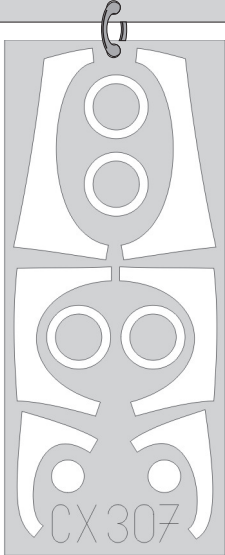
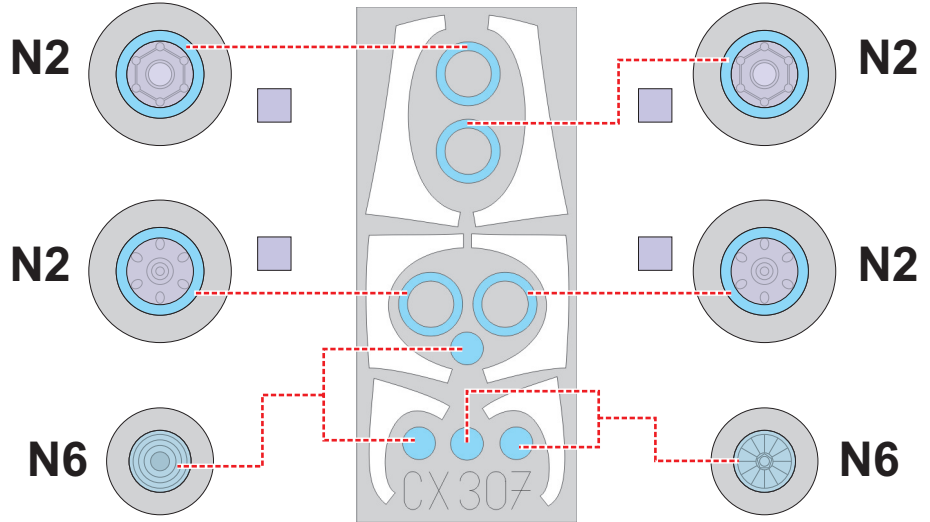
CX 307

EA-18G 1/72

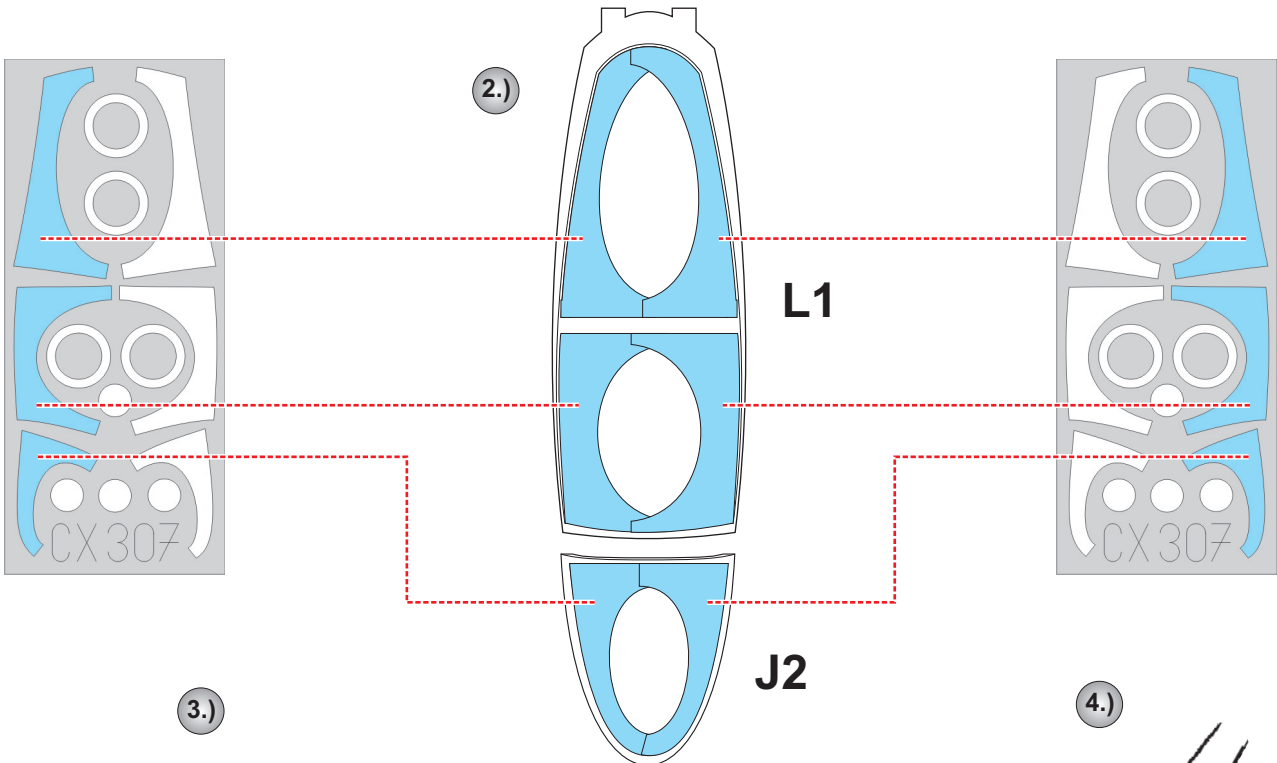
The die-cut mask for accurate canopy frame painting of the
Hasegawa scale 1/72 KIT

1.)

LIQUID MASK ■

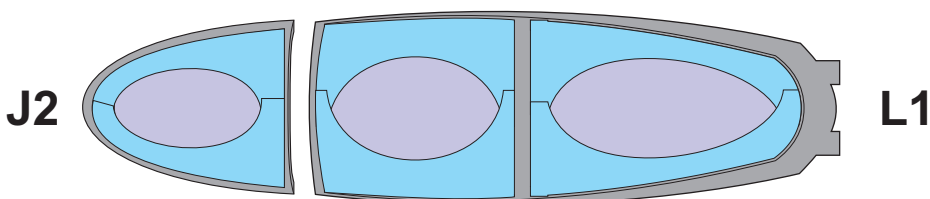


2.)



3.)

LIQUID MASK ■



4.)

