

Bf 109E-4

eduard

1/48 Scale Plastic Model Kit

WEEKEND
edition



item # 84196

No other aircraft is as intimately connected with the rise and fall of the German Luftwaffe in the course of the WWII as the Messerschmitt Bf 109. A very progressive design at the time of its invention, it had plenty of room for further development.

The history of the Bf 109 begins with the requirement L.A. 1432/33 issued by Reich Ministry of Aviation (RLM) in late March 1933. It called for the development of a single-engined monoplane fighter. Proposals were submitted by Focke-Wulf, Arado, Heinkel, and Bayerische Flugzeugwerke. The design bureau of the latter company was led by its technical director Willy Messerschmitt, who was riding a wave of popularity based on the success of his liaison aircraft, the Bf 108. Messerschmitt's goal was to create an aircraft with the best possible performance for the specified weight and size. Over the following months, several prototypes were built that served first and foremost in development flights and further modifications. The aircraft was relatively small, and compared to the prevailing trends of the time, sported several quite revolutionary features such as low wing design, retractable landing gear, wing with a thin airfoil, wing slats, landing flaps, weapons firing through the propeller hub, and so on. Even the enclosed cockpit and [the method of] (not needed) the airframe structure design were not usual just four years prior to the beginning of the Second World War. At its conception, the Bf 109 was a very promising asset despite some powerplant troubles. These were solved by the introduction of the DB 601. This engine, together with its extrapolated development DB 605, is umbilically connected to the success of the Bf 109. These two-row, twelve-cylinder inverted V engines powered several tenths of thousands of Bf 109s in over 25 versions and variants.

From Spanish War to the Reich Defence

The first combat use of Bf 109 occurred during Spanish Civil War, where three developmental Bf 109s were deployed in December 1936. The main reason of revealing the modern fighter to the world was quite down-to-earth: To validate its abilities in modern aerial combat. Shortly thereafter, production aircraft in the form of the Bf 109B-1 began to reach 2.J/88, the Legion Condor. The desire of Germany to demonstrate its aerial prowess to potential foes was advanced further in international sport meets. The triumph attained in Zurich in the summer of 1937 was complemented several months later by grabbing the speed record of 379.63 mph (610.95 km/h). In very short order, the progressive developments represented by the C, D and E versions appeared. Despite this, the delivery of the aircraft to combat units did not sustain the rate desired by military brass. Even by August 1938 the Bf 109 accounted for less than half of the 643 front line fighters in service. The next months saw an increase in these rates. By the time of the invasion of Poland (which saw the participation of only a little more than 200 aircraft) the Luftwaffe possessed the best fighter produced in continental Europe. So the fighter wing of the Luftwaffe entered the Polish campaign, the Blitzkrieg against the West, and the Battle for France with both a qualitative and quantitative advantage. With one foot in the door that was the English Channel, the Luftwaffe embarked on the attacks on Britain in the summer months of 1940. Here, the first weakness of the Bf 109 emerged: The inability to carry drop tanks that would have enabled the type to effectively escort bombers to England. This was one of the factors responsible for the defeat of the Luftwaffe in the Battle of Britain. Experience gained in 1940 led to the development of

the F (Friedrich) version prior to the spring of 1941 followed by late production variants of Bf 109G (Gustav) and K (Kurfürst).

Emil emerges

The Bf 109E series represents a turning point in the development of the Bf 109. It saw the replacement of the Jumo 210 engine with the more powerful, more reliable and also larger and heavier unit, Daimler-Benz DB 601 driving the VDM (Vereinigte Deutsche Metallwerke) three-bladed propeller.

The more powerful engine needed a larger coolant radiator. Instead of a large "chin" on the nose, which would have significantly increased aerodynamic drag, cooling was moved to flat radiators on the bottom of the wing. This relocation also helped to balance the increased weight of the engine and propeller, but required the entire wing to be deeply redesigned. To verify the design changes, V14 and V15 prototypes were built, differing in the armament. The former had a pair of 7.92 mm MG 17 machine guns supplemented by two 20 mm wing-mounted guns. The V15 prototype had only two machine guns. Production of the first production version of the "Emil", the E-1 version, began in early 1939 and the extra 298 hp (223 kW) compared to previous Jumo 210 also provided a corresponding increase in flight performance despite the 400 lb (180 kg) weight increase.

The E-1 version was armed with four MG 17 machine guns, and further development concentrated mainly on armament. The E-2 received an MG FF cannon mounted in between the engine cylinder blocks, firing through the center of the propeller instead of two wing machine guns. Although this configuration eventually became standard on the later G and K versions, it was not successful with the E-2. Nevertheless, the "Motorkanone" was retained in the E-3 version, which also had two MG FF guns in the wing. However, due to vibrations caused by firing the "Motorkanone" was often removed by frontline units. The firing power of two machine guns and two cannons was still more than satisfactory.

The kit: Bf 109E-4

At the beginning of the Battle of Britain, the Bf 109E-4 began to replace the E-3 version. The first aircraft appeared in July 1940 and quickly replaced their predecessors. Many E-3s were also converted to E-4 standard. The differences between the two versions were relatively minor. The Bf 109E-4 in particular received improved MG FF/M wing guns with higher rate of fire and also with the ability to fire a new type of explosive ammunition. In addition, the armor protection behind the pilot's head was improved and the cockpit canopy was revised. To make the production easier, the canopy with rounded corners was replaced by a "boxy" type with straight windows attached to the welded frame. The new canopy also improved the pilot's view from the cockpit. Some Bf 109E-4s and later versions of "Emil" received the improved DB 601N high-altitude engine with 1,159 hp (864 kW). They were designated E-4/N. Similar to the E-1 version, a fighter-bomber (JaBo) version of E-4 was also produced, designated either E-4/B (with the DB 601A engine) or E-4/BN (with the DB 601N). It had provision for one 250 kg bomb or four 50 kg bombs. A total of 561 Messerschmitts Bf 109E-4 were produced.

ATTENTION



UPOZORNĚNÍ



ACHTUNG



ATTENTION



注意



Carefully read instruction sheet before assembling. When you use glue or paint, do not use near open flame and use in well ventilated room. Keep out of reach of small children. Children must not be allowed to suck any part, or pull vinyl bag over the head.



Před započatím stavby si pečlivě prostudujte stavební návod. Při používání barev a lepidel pracujte v dobře větrané místnosti. Lepidla ani barvy nepoužívejte v blízkosti otevřeného ohně. Model není určen malým dětem, mohlo by dojít k požití drobných dílů.

INSTRUCTION SIGNS * INSTR. SYMBOLY * INSTRUKTION SINNBILDEN * SYMBOLES * 記号の説明

OPTIONAL
VOLBABEND
OHNOUTSAND
BROUSITOPEN HOLE
VYVRTAT OTVORSYMETRICAL ASSEMBLY
SYMETRICKÁ MONTÁŽREMOVE
ODŘÍZNOUTREVERSE SIDE
OTOČITAPPLY EDUARD MASK
AND PAINT
POUŽIT EDUARD MASK
NABARVITPLEASE CHECK THE LATEST VERSION OF THE INSTRUCTIONS ON www.eduard.com

PARTS



DÍLY



TEILE



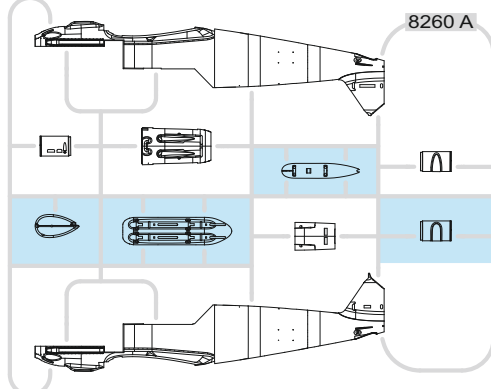
PIÈCES



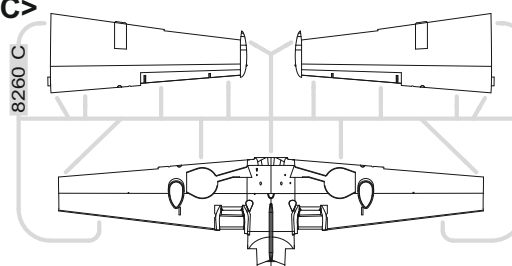
部品

PLASTIC PARTS

A>

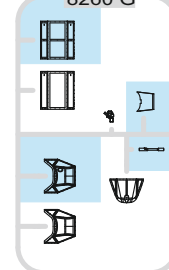


C>

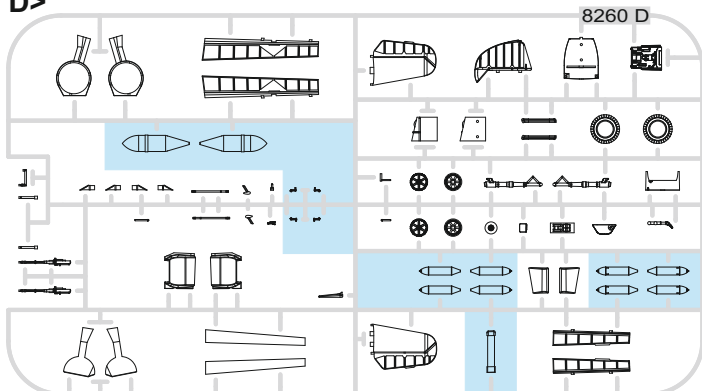


G>

8260 G

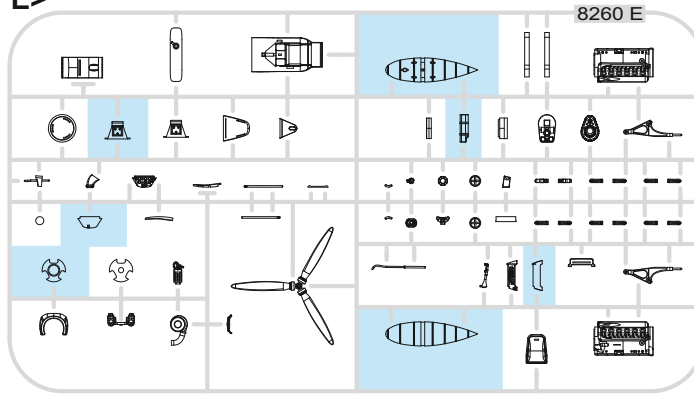


D>



8260 D

E>



8260 E

-Parts not for use. -Teile werden nicht verwendet. -Pièces à ne pas utiliser. -Tyto díly nepoužívejte při stavbě. - 使用しない部品

COLOURS



BARVY



FARBEN



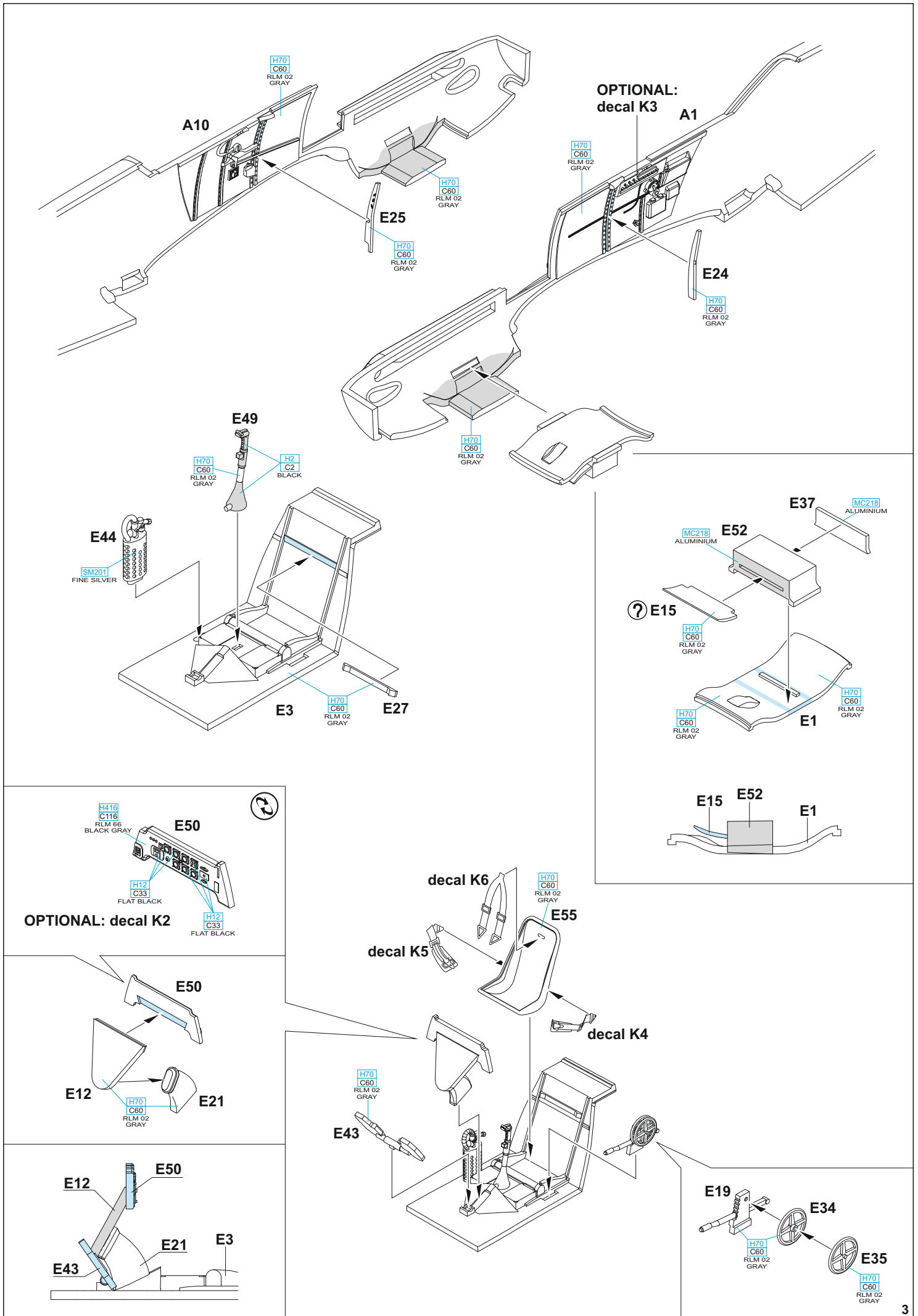
PEINTURE

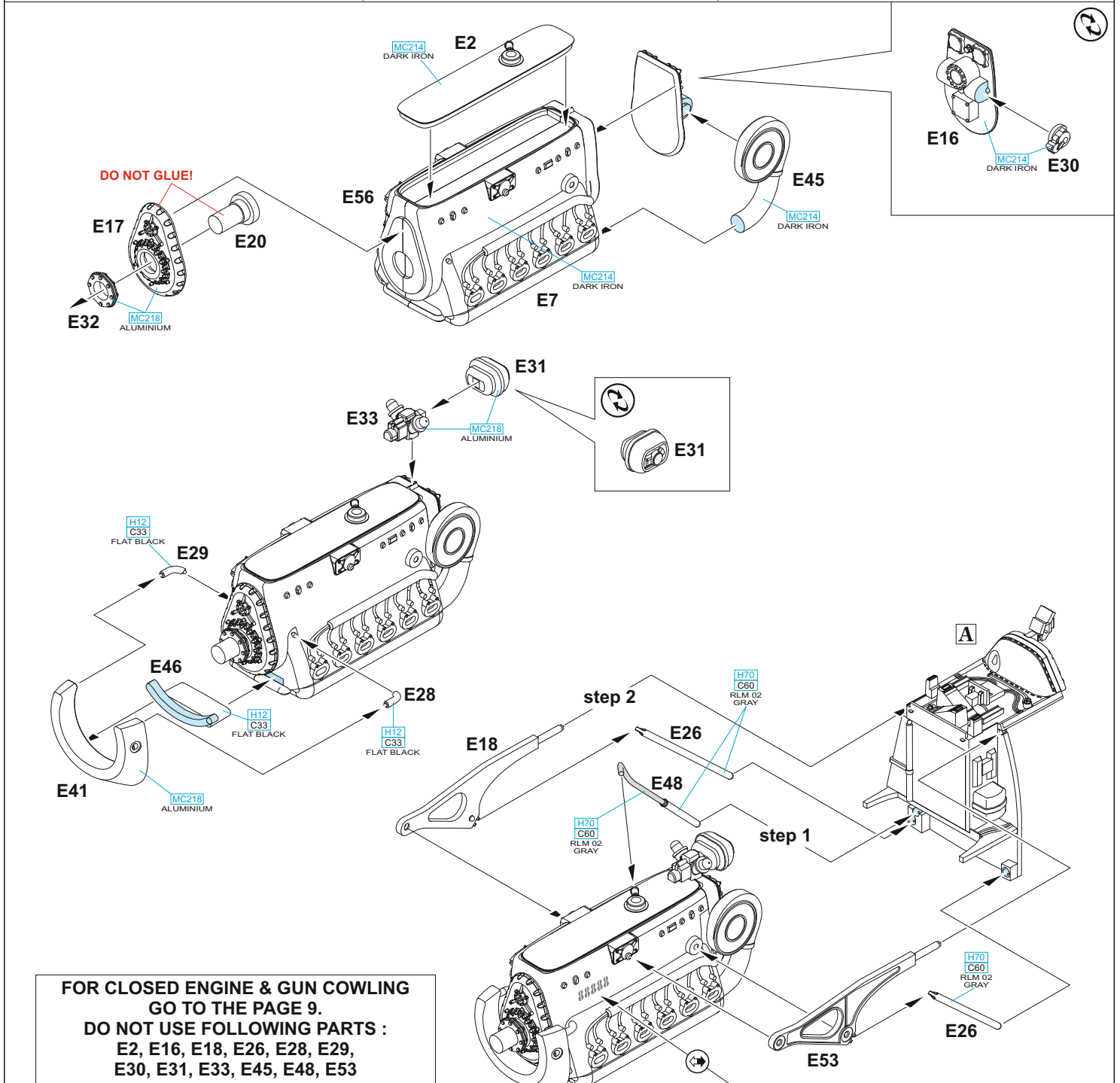
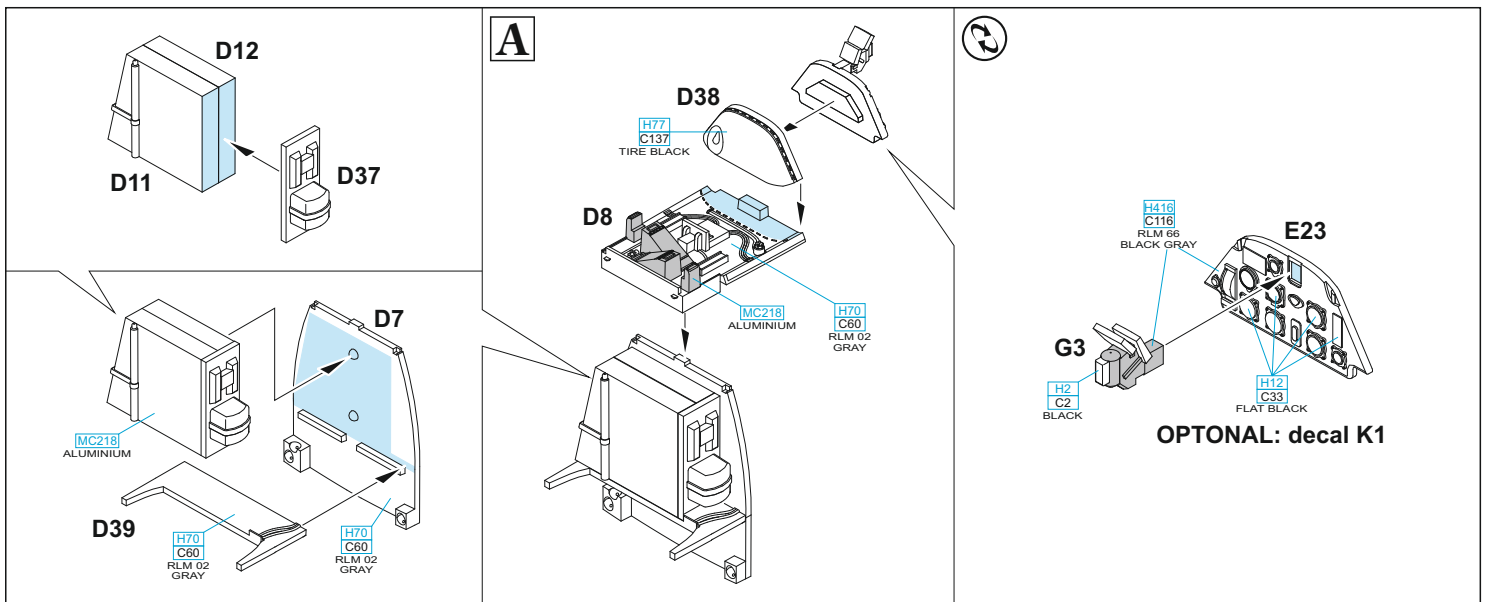


色

GSI Creos (GUNZE)		
AQUEOUS	Mr.COLOR	
H2	C2	BLACK
H6	C6	GREEN
H11	C62	FLAT WHITE
H12	C33	FLAT BLACK
H47	C41	RED BROWN
H64	C17	RLM71 DARK GREEN
H65	C18	RLM70 BLACK GREEN
H66	C119	RLM79 SAND YELLOW
H67	C115	RLM65 LIGHT BLUE
H70	C60	RLM02 GRAY
H77	C137	TIRE BLACK
H90	C47	CLEAR RED

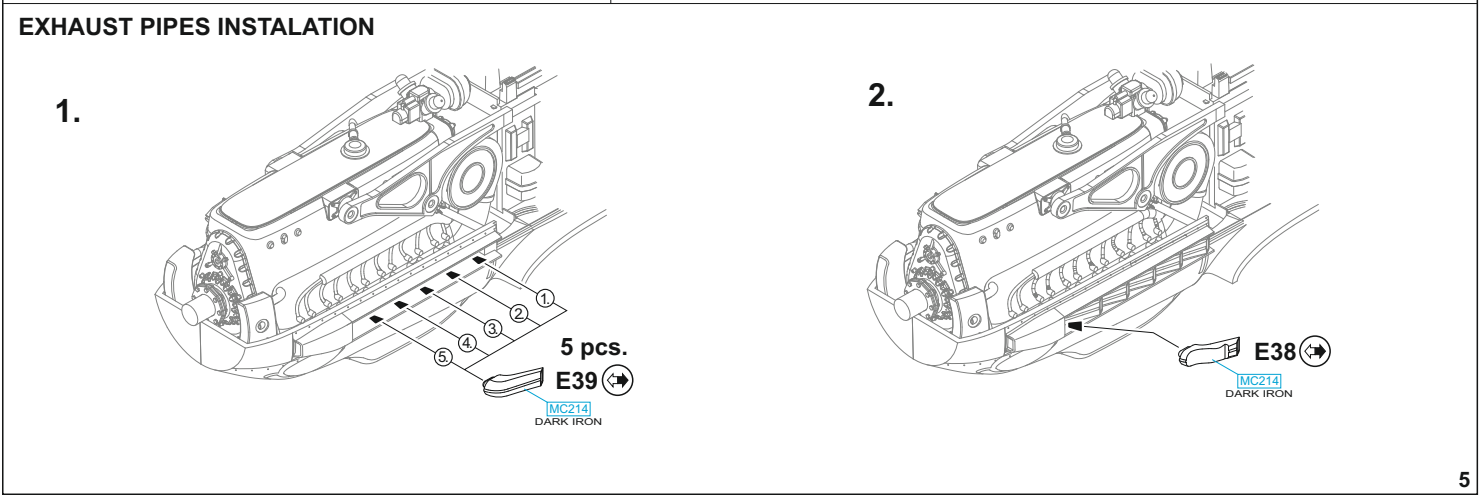
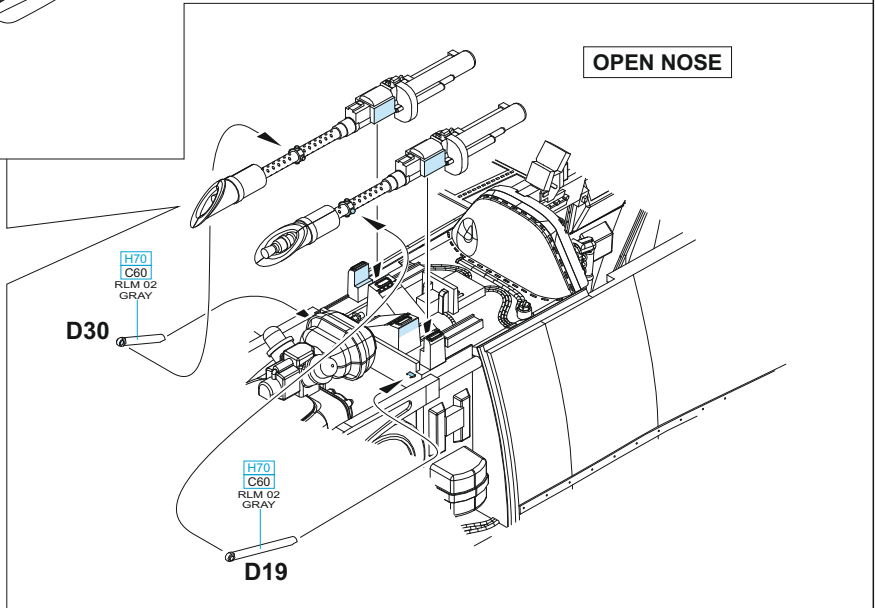
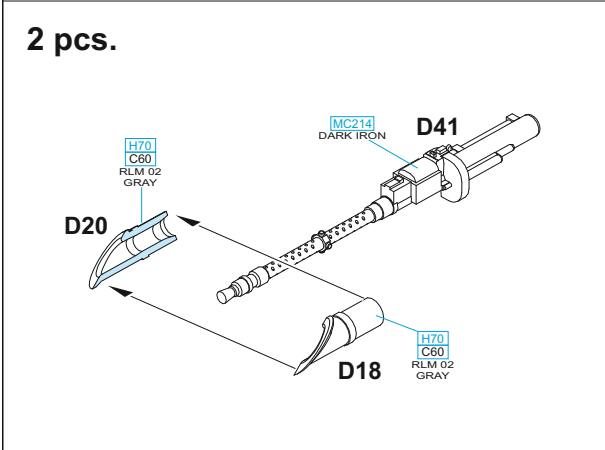
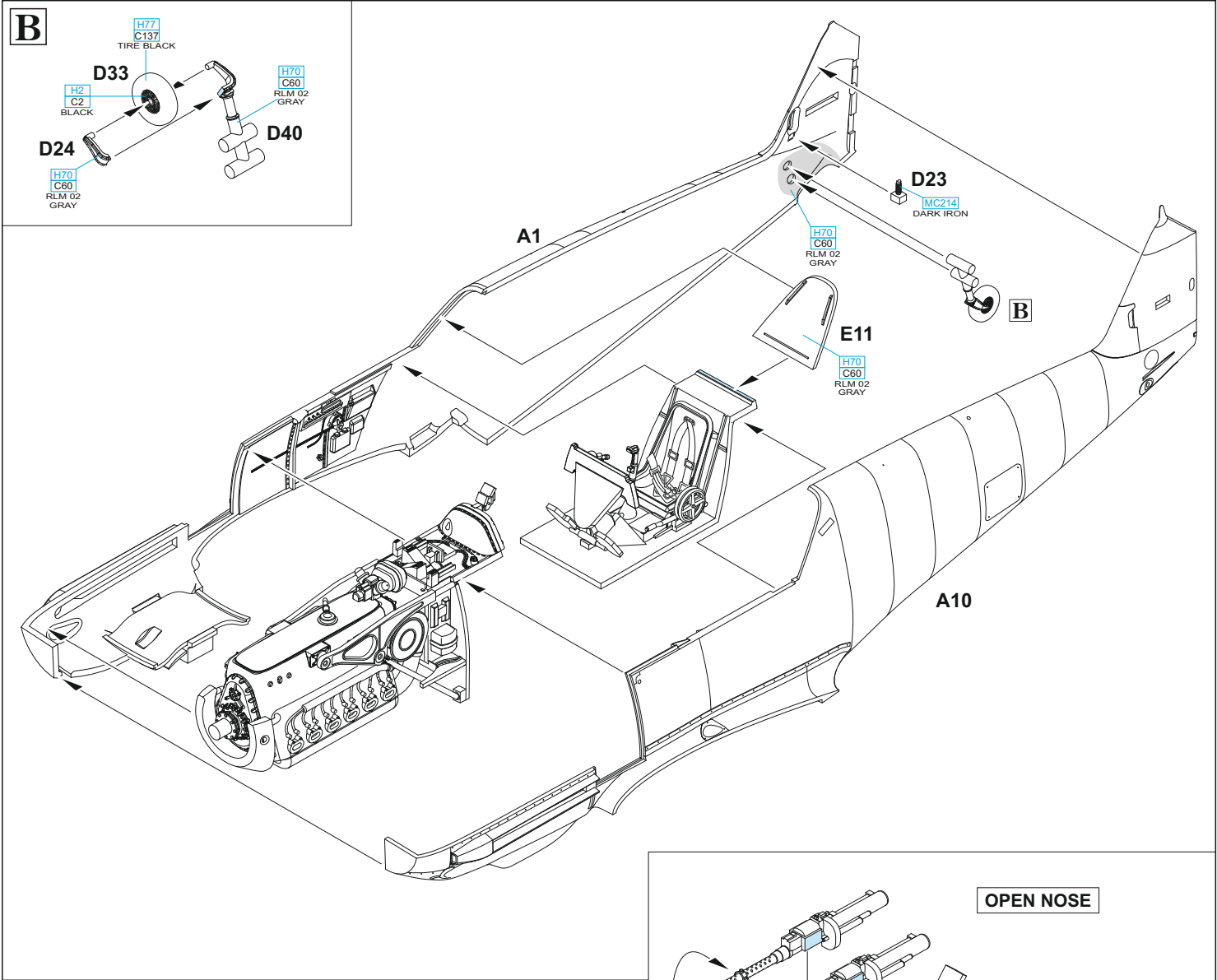
GSI Creos (GUNZE)		
AQUEOUS	Mr.COLOR	
H94	C138	CLEAR GREEN
H413	C113	RLM04 YELLOW
H414	C114	RLM23 RED
H416	C116	RLM66 BLACK GRAY
H418	C118	RLM78 LIGHT BLUE
H420	C120	RLM80 OLIVE GREEN
Mr.METAL COLOR		
MC214		DARK IRON
MC218		ALUMINIUM
Mr.COLOR SUPER METALLIC		
SM201		SUPER FINE SILVER

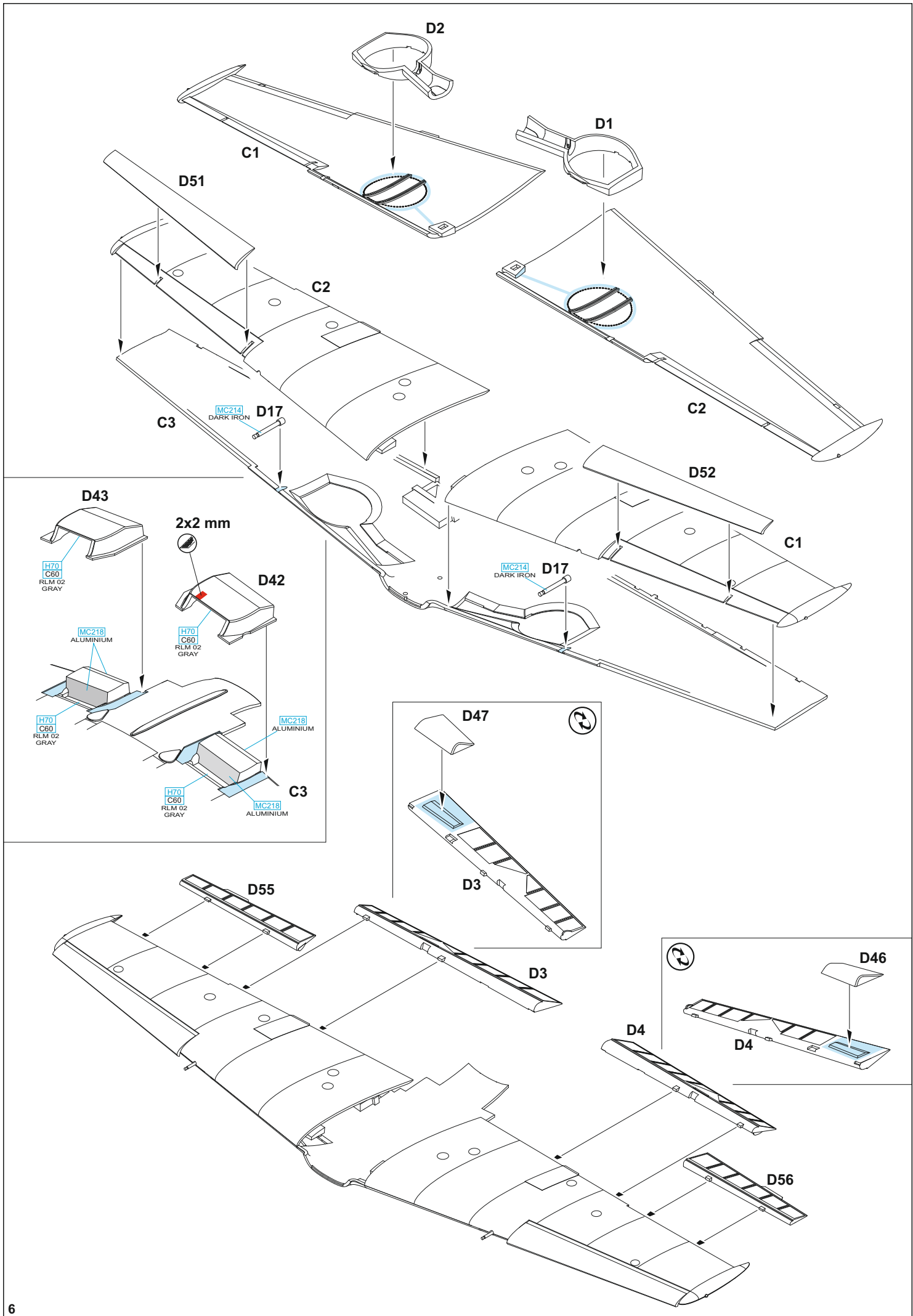


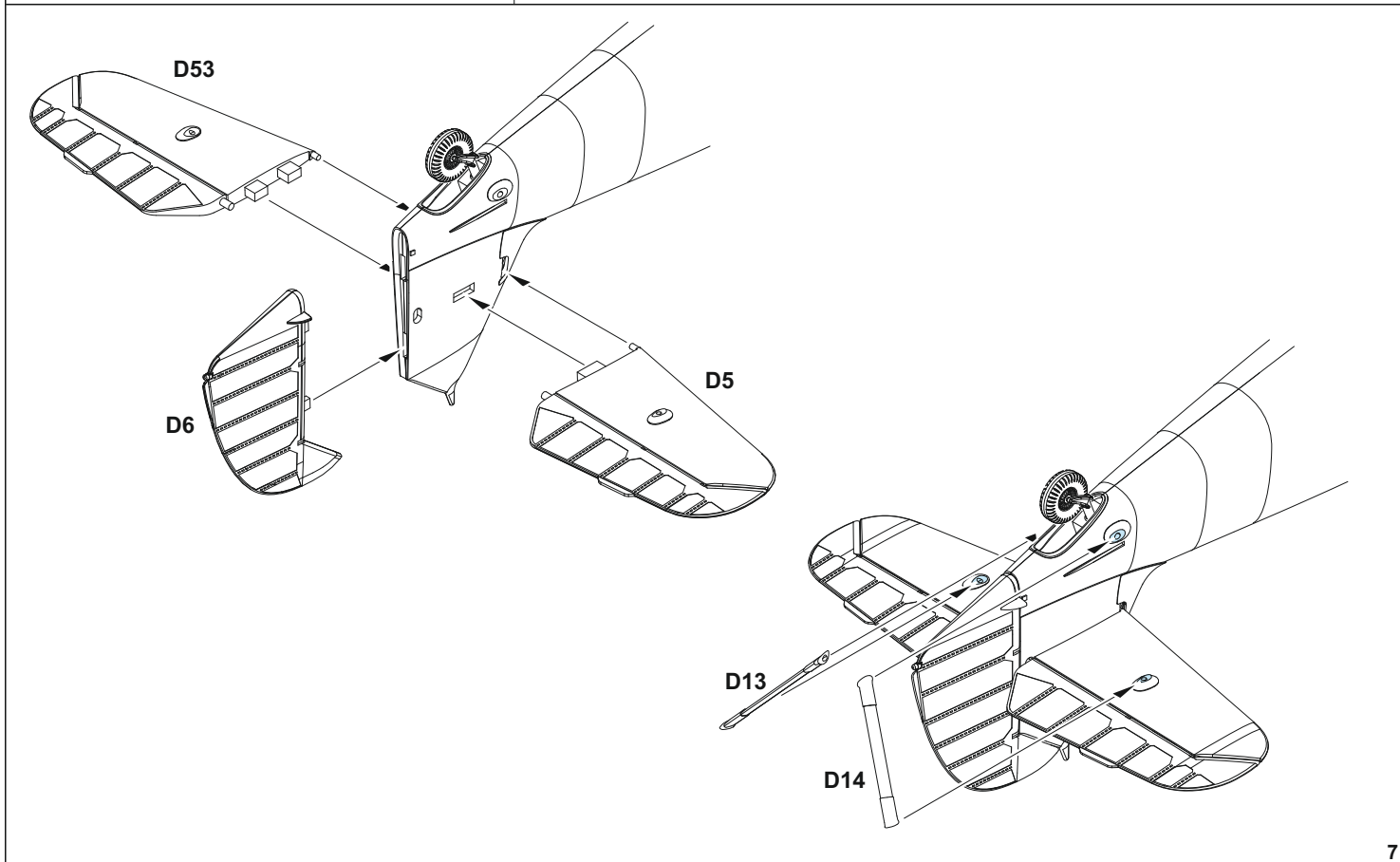
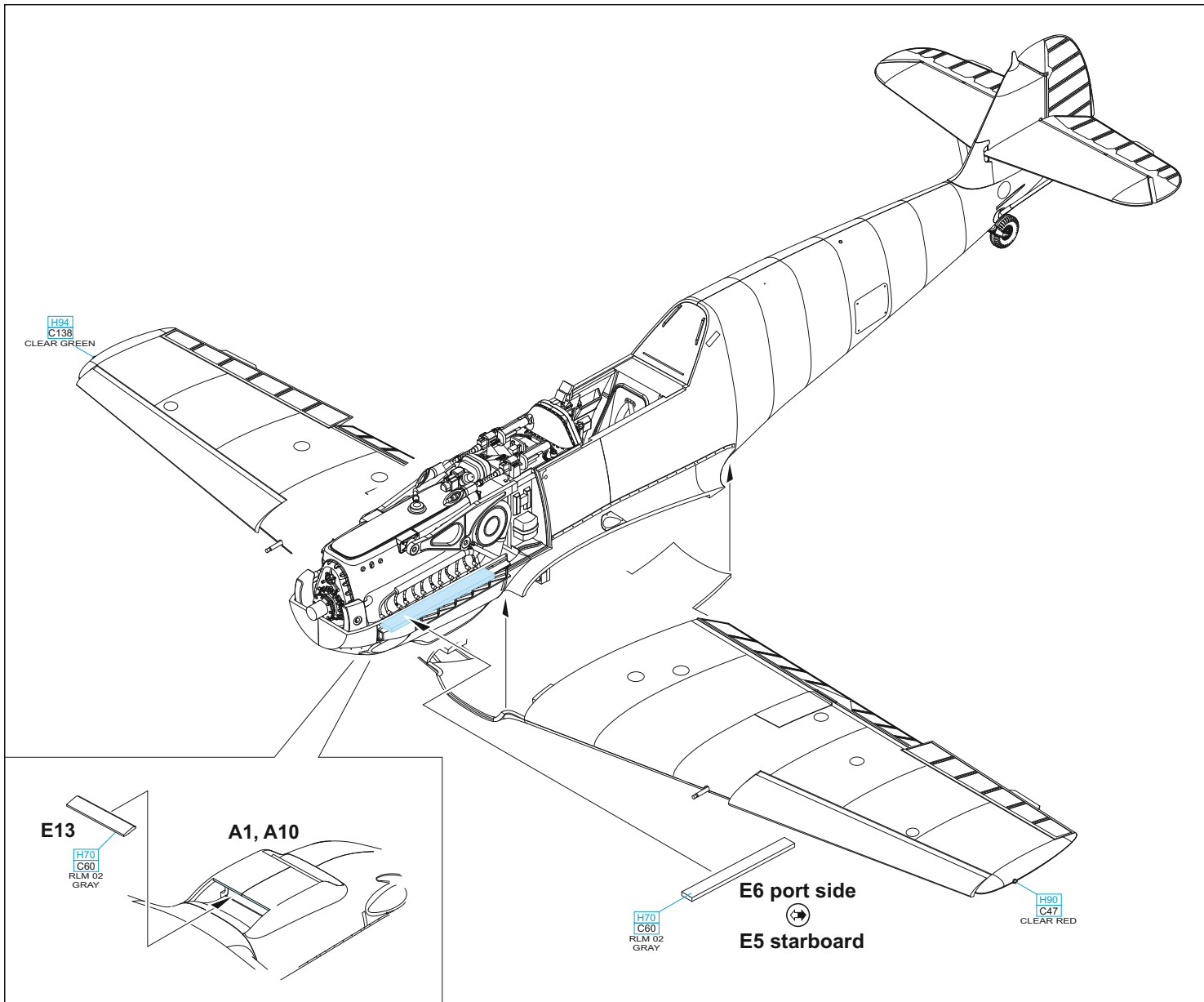


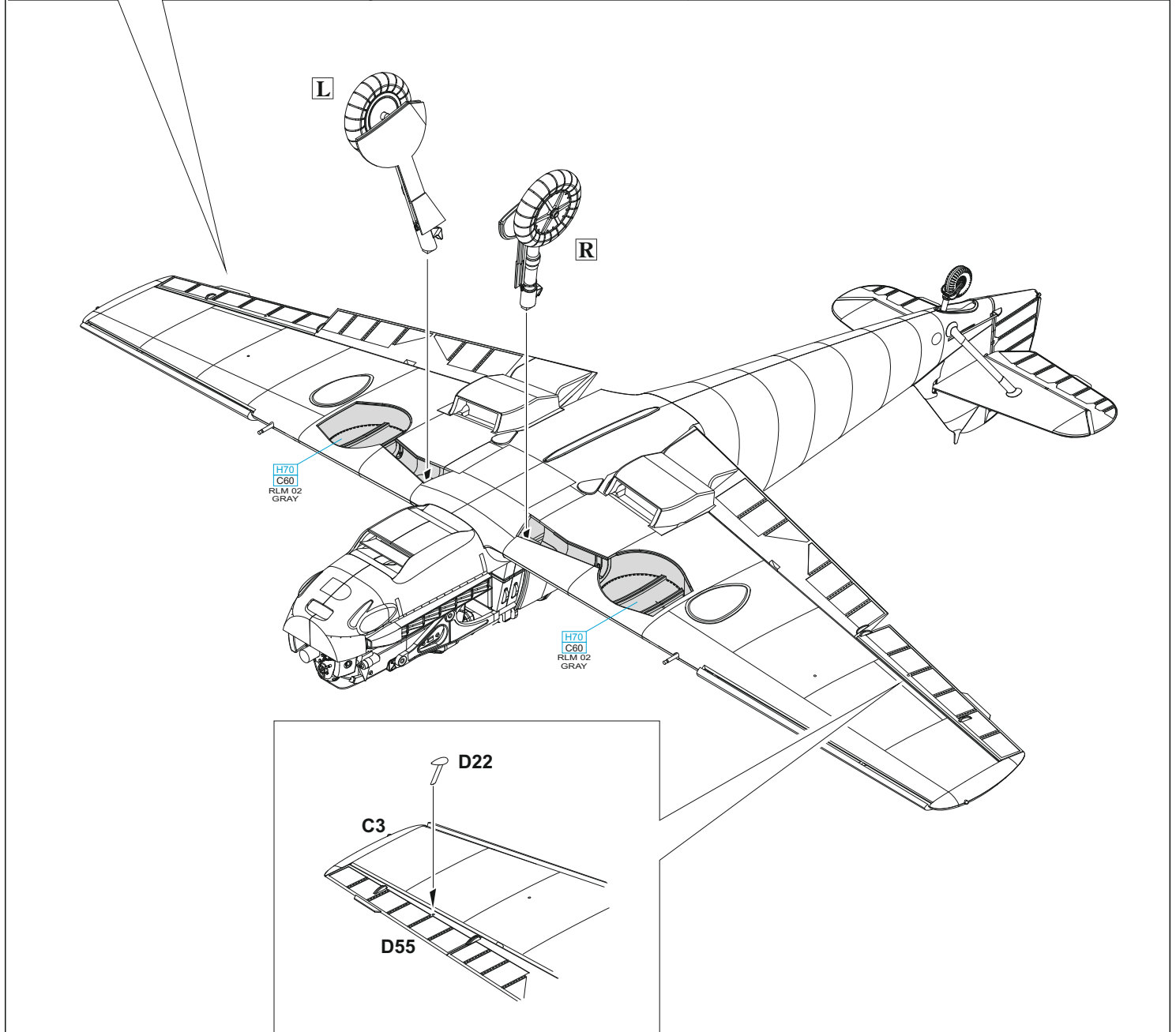
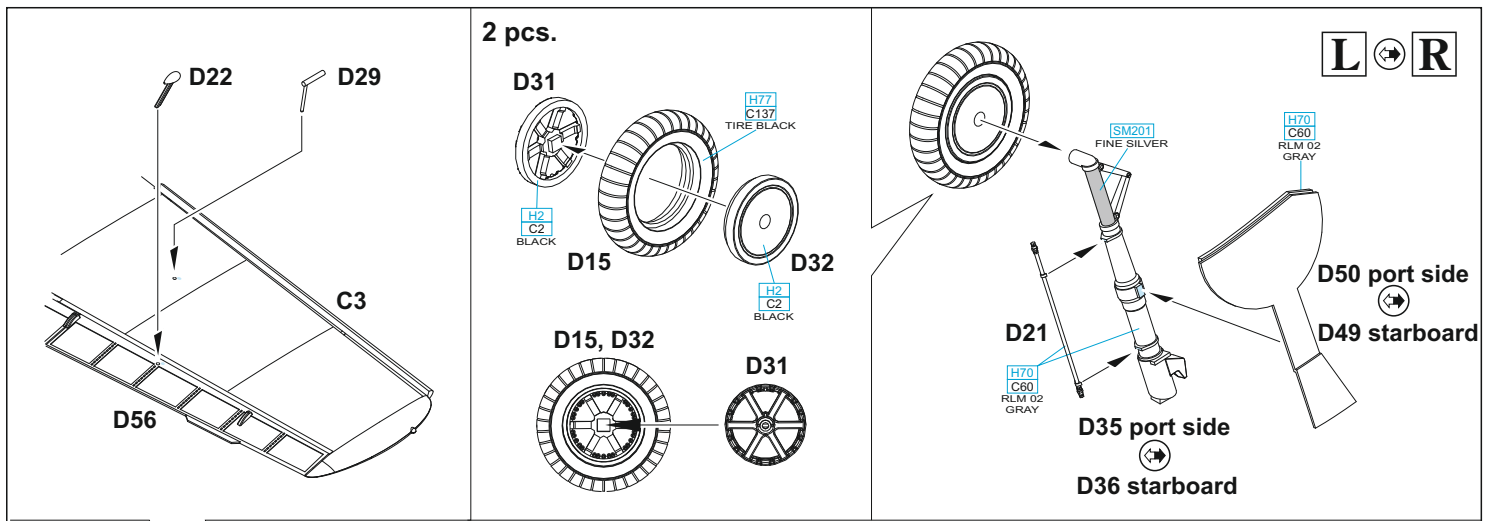
**FOR CLOSED ENGINE & GUN COWLING
GO TO THE PAGE 9.
DO NOT USE FOLLOWING PARTS :**
E2, E16, E18, E26, E28, E29,
E30, E31, E33, E45, E48, E53

**APPLY DECAL- ENGINE SERIAL NUMBER
SEE YOUR REFERENCE FOR THE EXACT NUMBER**

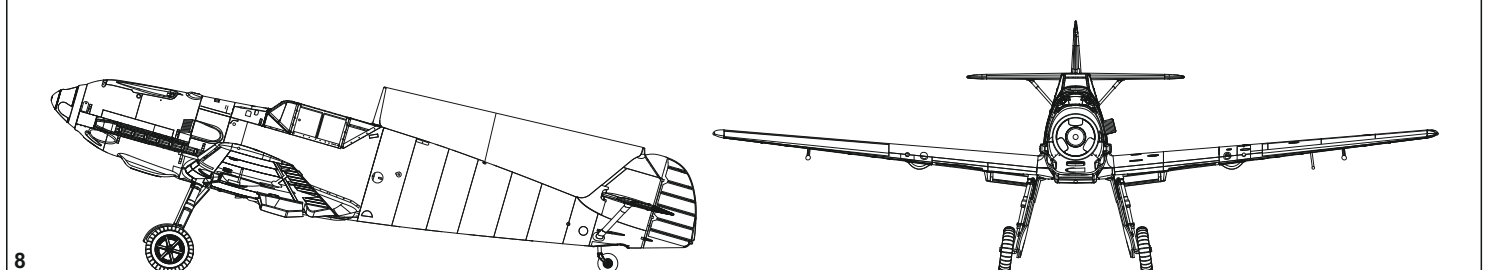




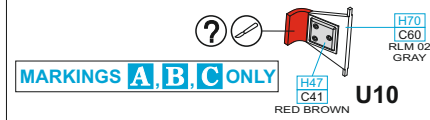
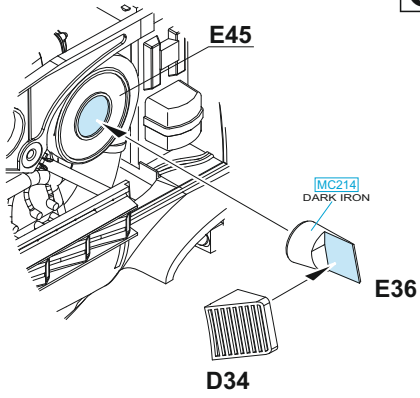
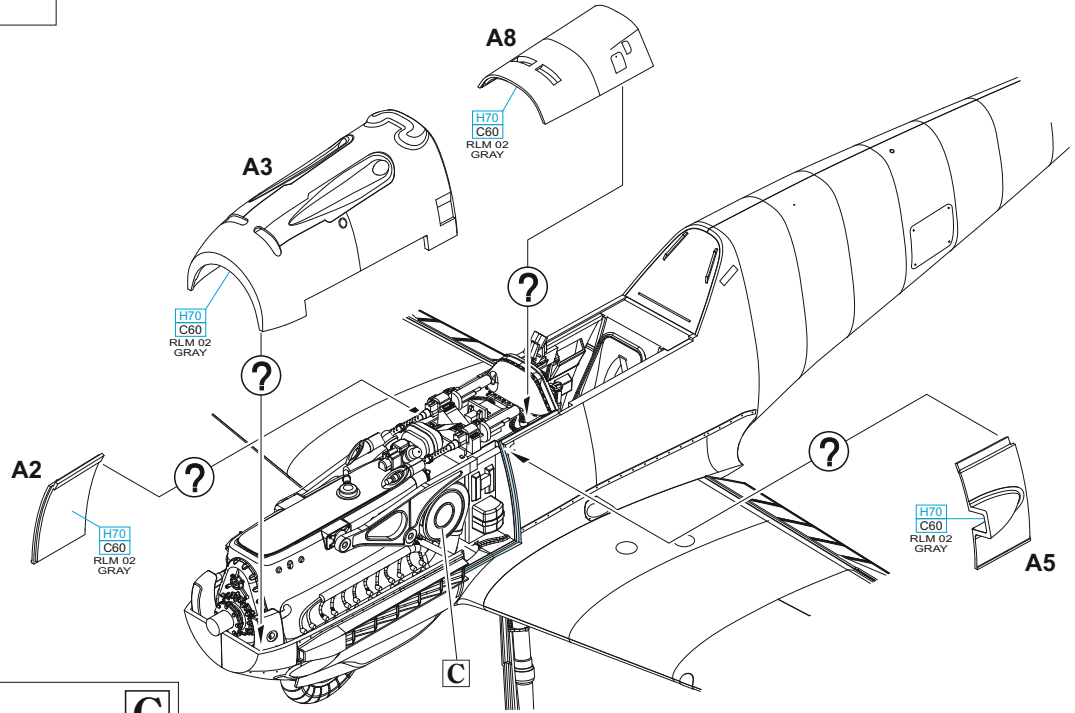




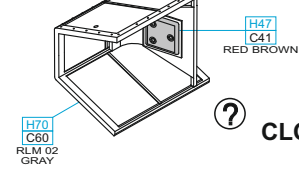
THE CORRECT POSITION OF THE UNDERCARRIAGE LEGS



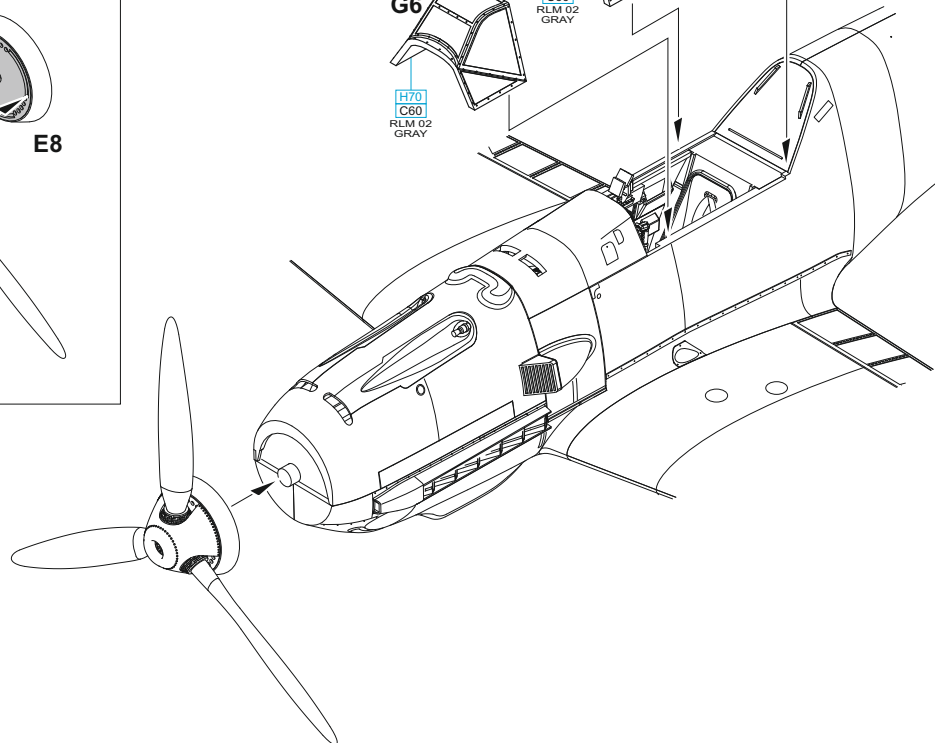
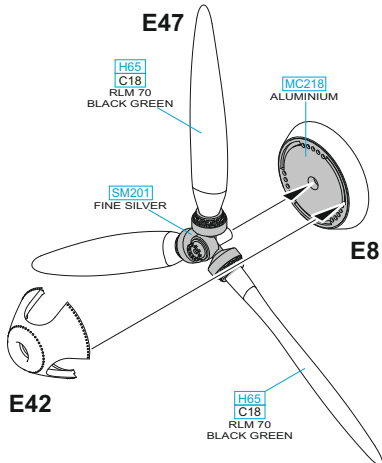
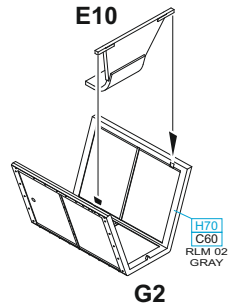
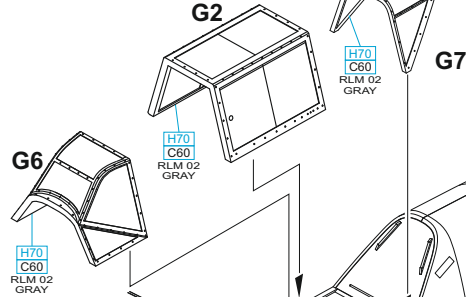
**FOR CLOSED NOSE
SEE PAGE 9**



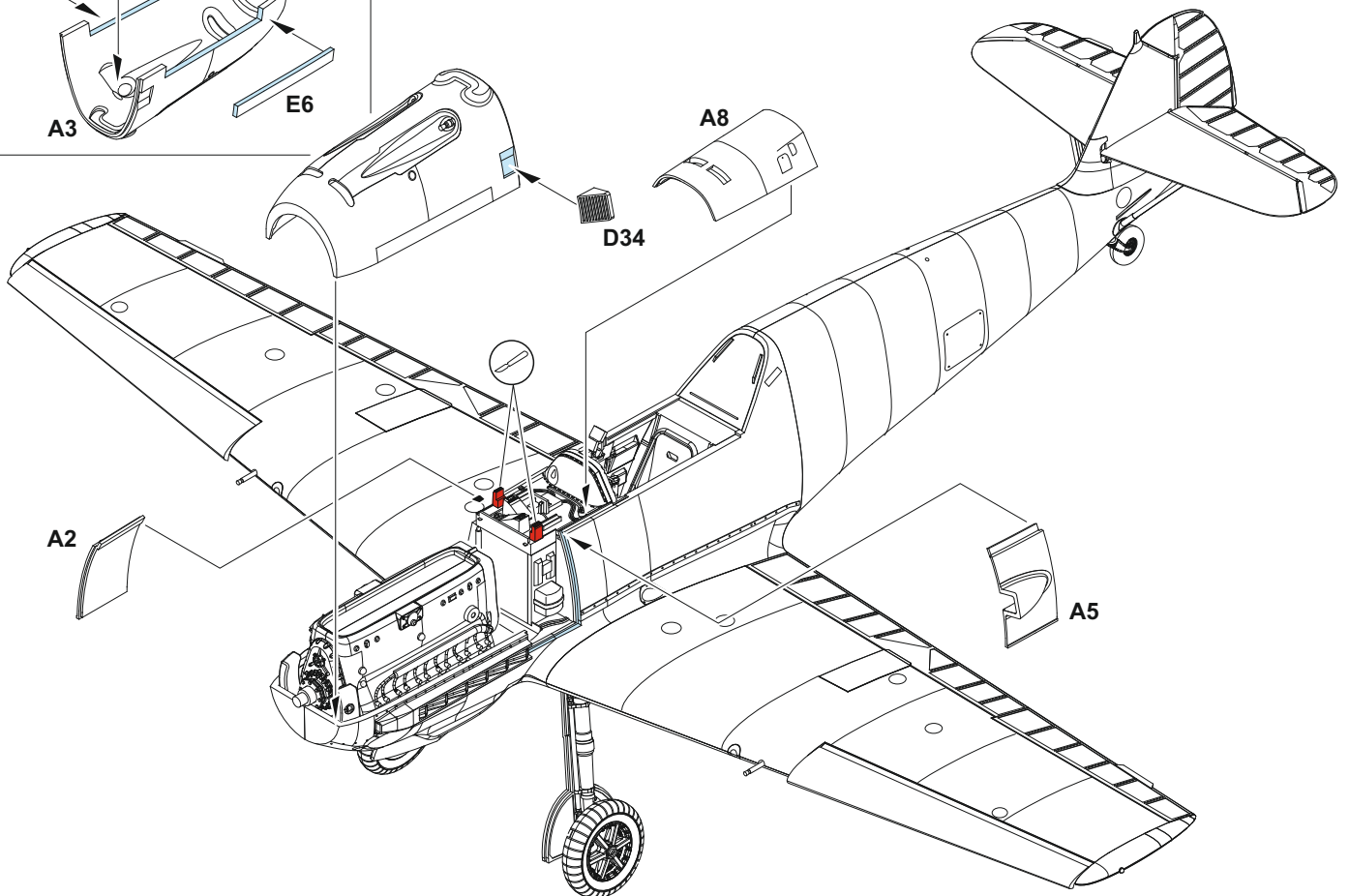
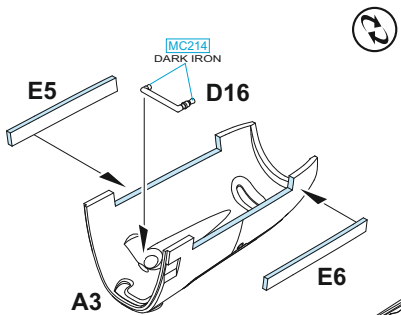
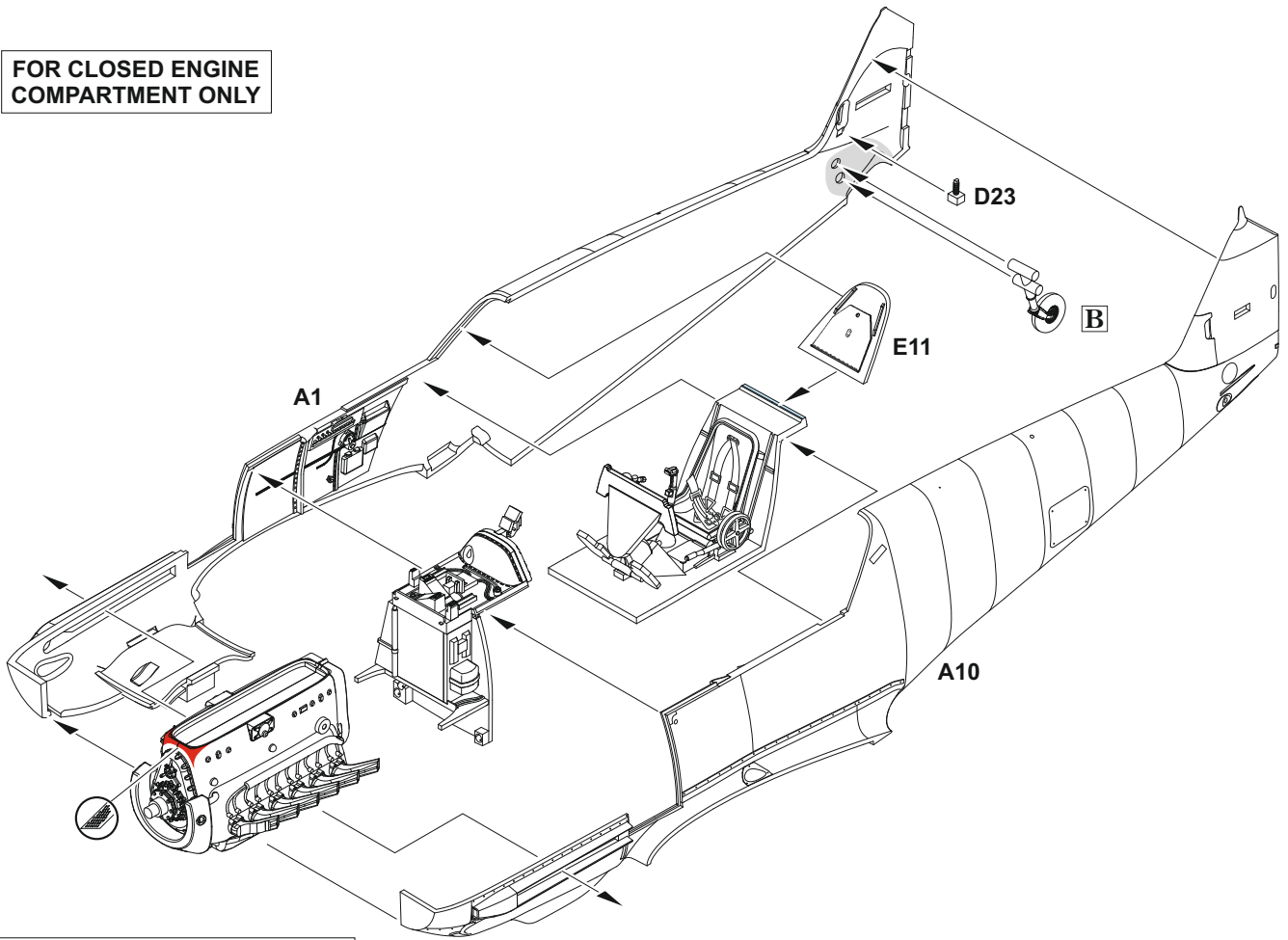
**OPEN CANOPY
G2**



**CLOSED CANOPY
G2**

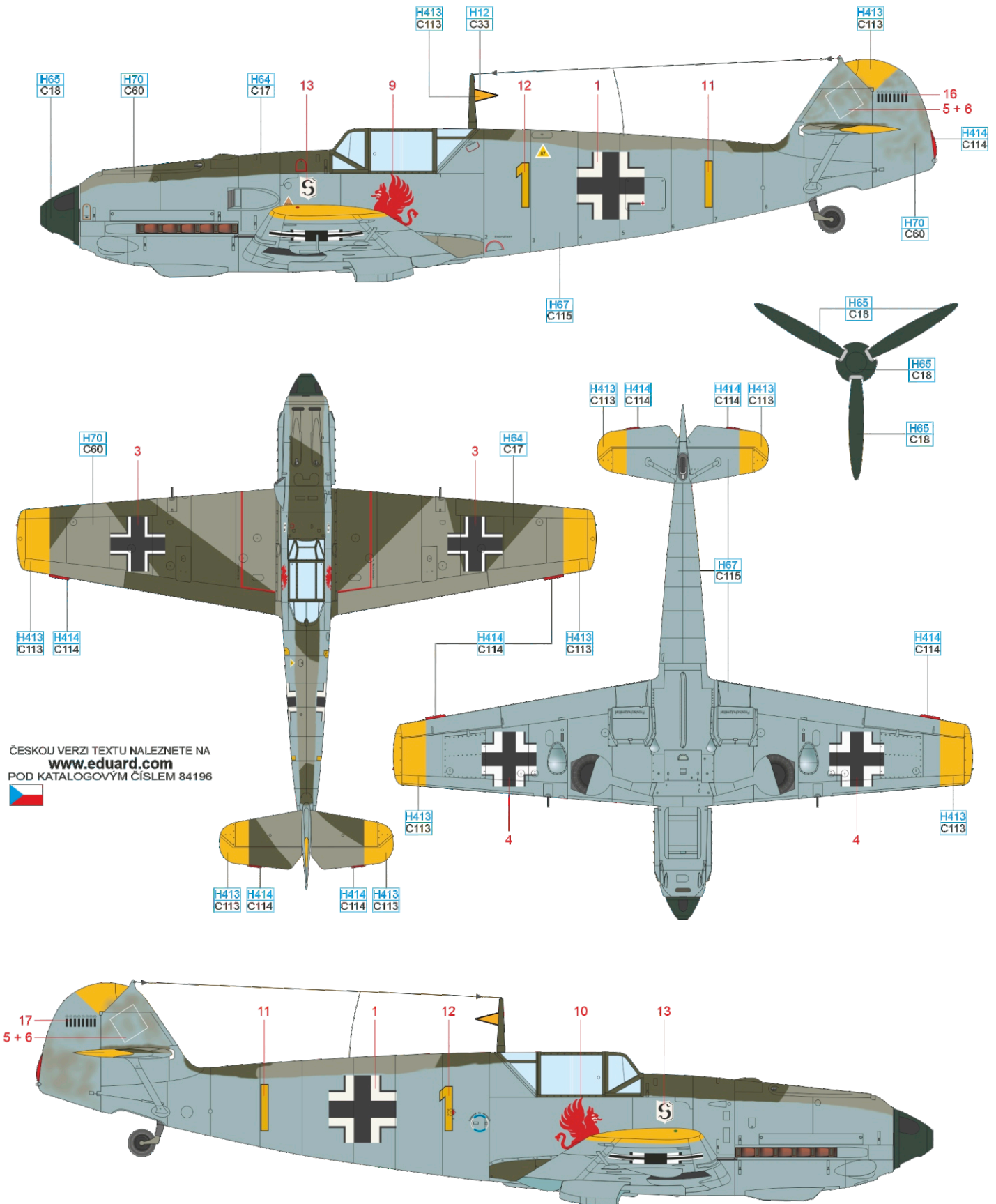


FOR CLOSED ENGINE COMPARTMENT ONLY



A Oblt. Gerhard Schöpfel, III./JG 26, Caffiers, France, August 1940

Gerhard Schöpfel was born on December 19 in Erfurt. In 1936 he joined the Luftwaffe and in September 1939 was appointed commander of III./JG 26. His first aerial victory came on May 19, 1940, during the the Battle of France and he subsequently added more in the Battle of Britain. His best day came on August 18, 1940, when he was credited with shooting down four Hurricanes Mk.I. The Bf 109E-4 of Oblt. Gerhard Schöpfel sported the standard camouflage of the period, consisting of the RLM 71/02/65 colors. In the Battle of Britain, the camouflage was supplemented with yellow identifiers: the yellow wing tips, elevators and yellow triangle on top of the rudder. A yellow pennant on the aerial column indicated the group commander. From January 1943, Schöpfel held various staff positions with the Luftwaffe. In May 1945, he fell into Soviet captivity, from which he returned in December 1949. He died on 17 May 2003.

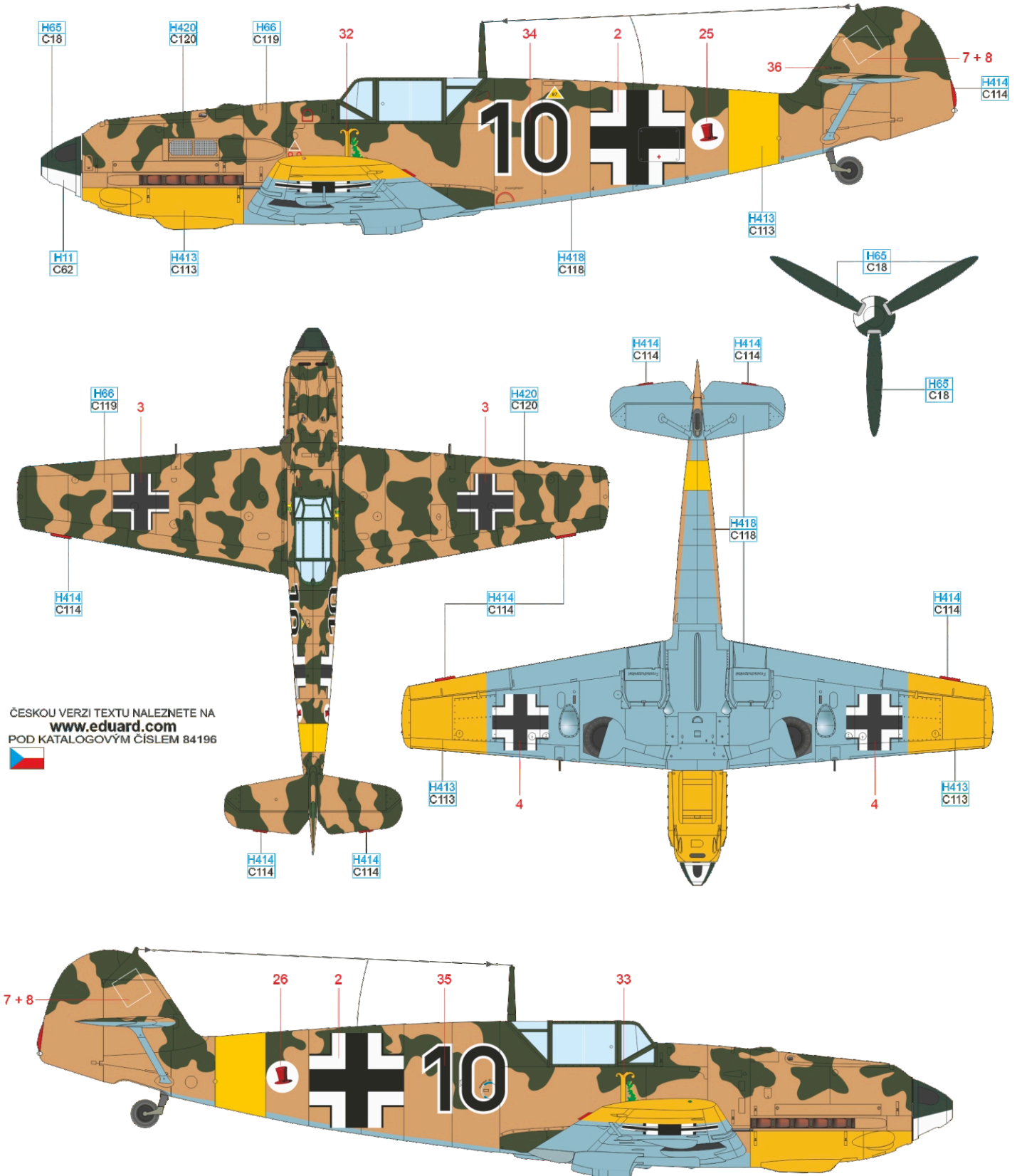


ČESKOU VERZI TEXTU NALEZNETE NA
www.eduard.com
 POD KATALOGOVÝM ČÍSLEM 84196



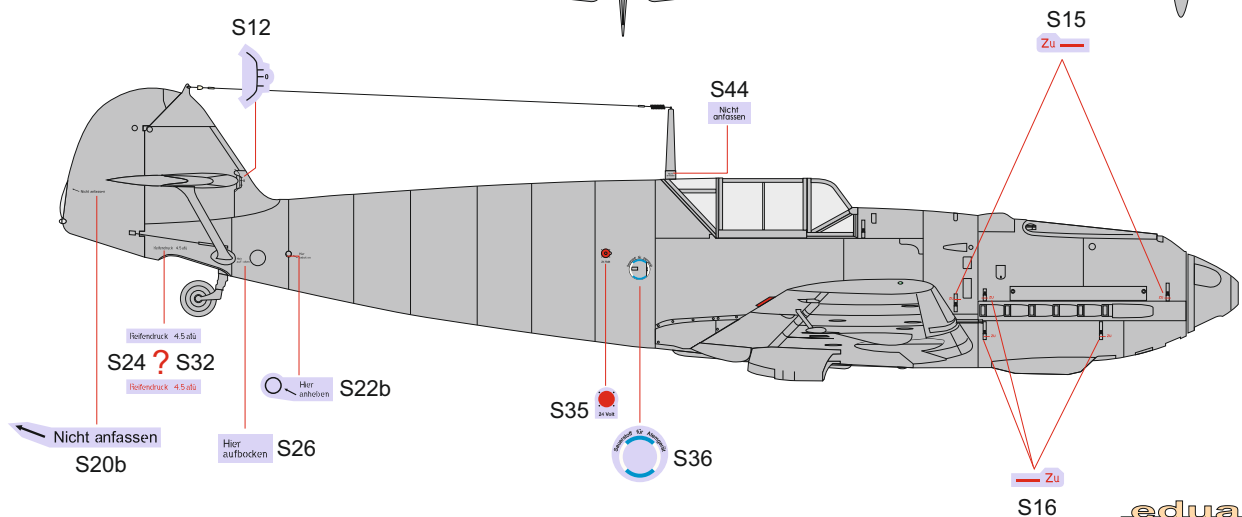
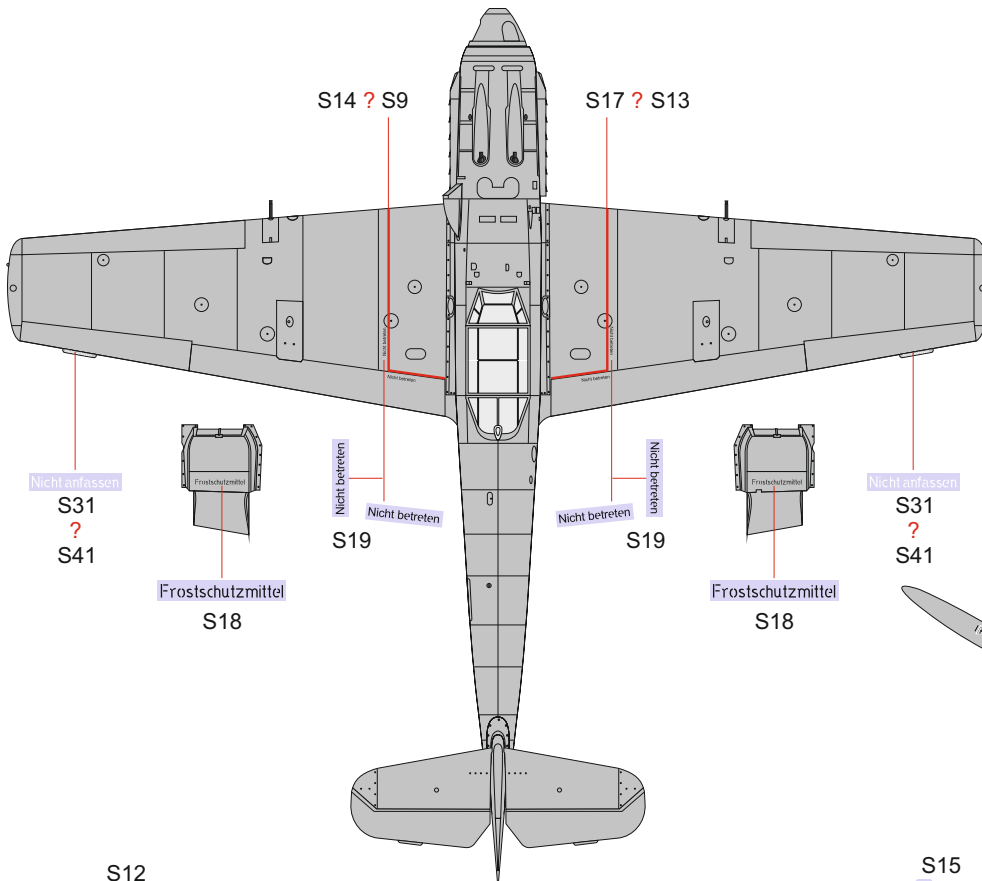
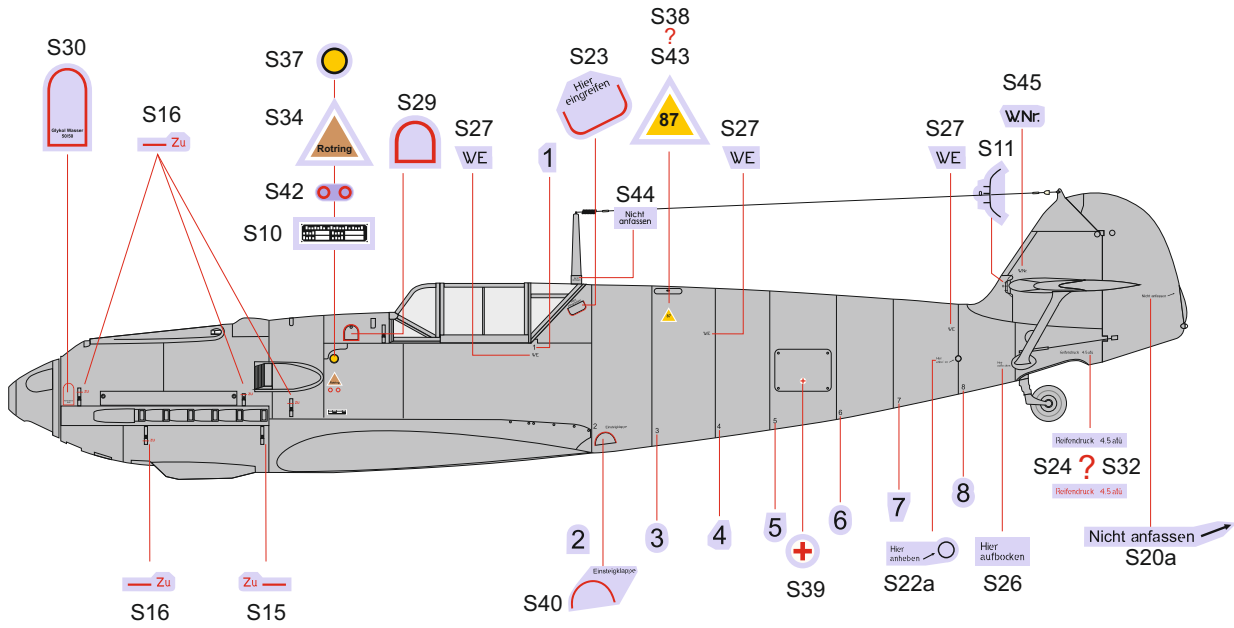
- | | | | | | | | | | | | | | |
|--------|--------------|--------|--------------|---------------|------------|--------|------------|--------|------------|--------|------------|--------|-------------|
| RLM 04 | H413
C113 | RLM 23 | H414
C114 | FLAT
BLACK | H12
C33 | RLM 70 | H65
C18 | RLM 71 | H64
C17 | RLM 02 | H70
C60 | RLM 65 | H67
C115 |
|--------|--------------|--------|--------------|---------------|------------|--------|------------|--------|------------|--------|------------|--------|-------------|

Like JG 77, also Lehrgeschwader 2 was withdrawn from the combat after the Greek campaign to rest and re-equip. The unit did so in Belgrade. The relocation to the Romanian territory followed in the middle of July when the LG 2 unit equipped with Messerschmitts Bf 109E (some in the fighter-bomber configuration) was on alert to be deployed against the Soviet Union. Its operation Barbarossa participation started early morning of June 22. The "Black 10" aircraft, which retained its camouflage from Greece and Crete campaigns and was equipped with a tropical filter, was shot down by Soviet I-16s on July 10, 1941. The pilot is still listed as missing in action. The aircraft marking was complemented by I.(J)/LG 2 marking under the windshield and 2. (J)/LG 2 behind the fuselage cross.



ČESKOU VERZI TEXTU NALEZNETE NA
www.eduard.com
 POD KATALOGOVÝM ČÍSLEM 84196



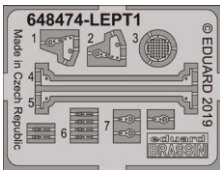
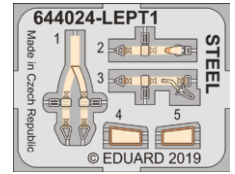


Eduard goodies for

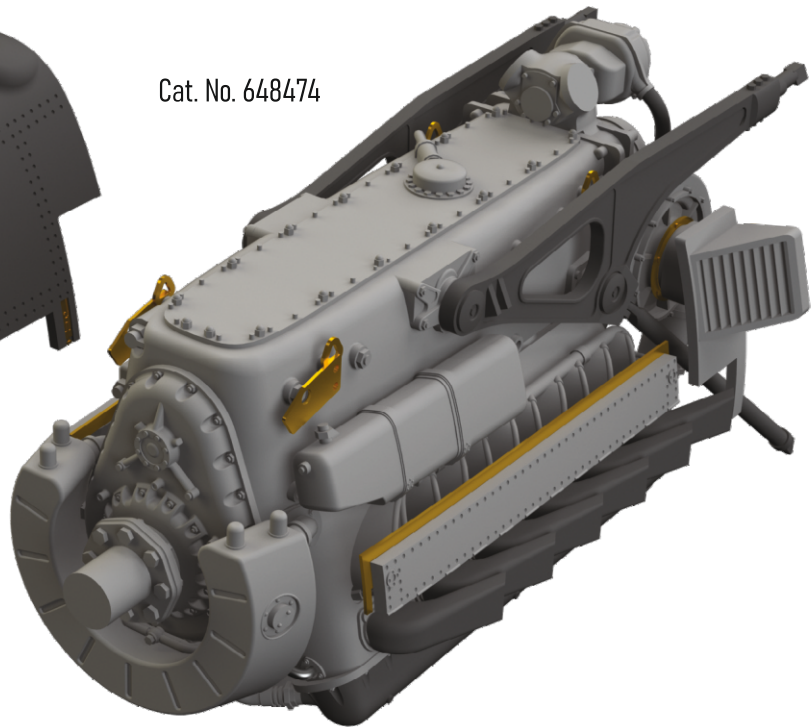
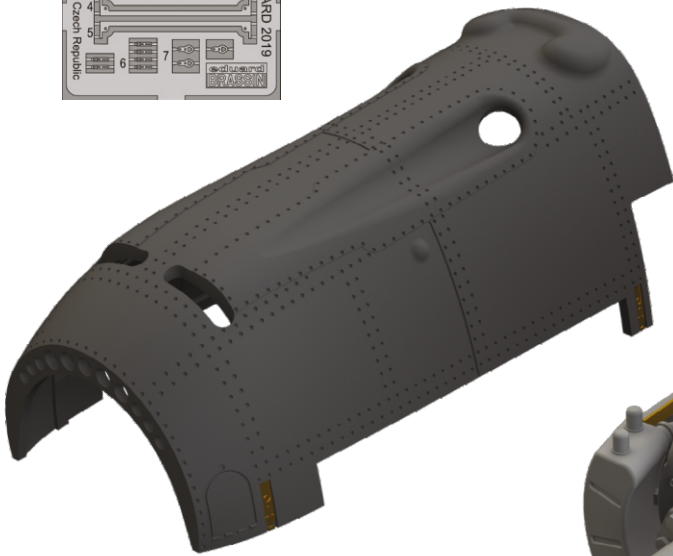
Bf 109E-4 1/48

- FE1403 Bf 109E-4 Weekend (PE-Set)
- 644024 Bf 109E LööK (Brassin)
- 648058 Bf 109E wheels (Brassin)
- 648472 Bf 109E cockpit & radio compartment (Brassin)
- 648474 Bf 109E engine (Brassin)
- 3DL48049 Bf 109E-4 SPACE (3D Decal Set)
- EX400 Bf 109E-4/E-7 Weekend (Mask)
- EX995 Bf 109E-4 TFace (Mask)

Cat. No. 644024



Cat. No. 648474



Cat. No. 648472

