



F-105G Thunderchief ladder

eduard

72 484

1/72 scale detail set for Trumpeter No.01618 • sada detailů pro model 1/72 Trumpeter 01618



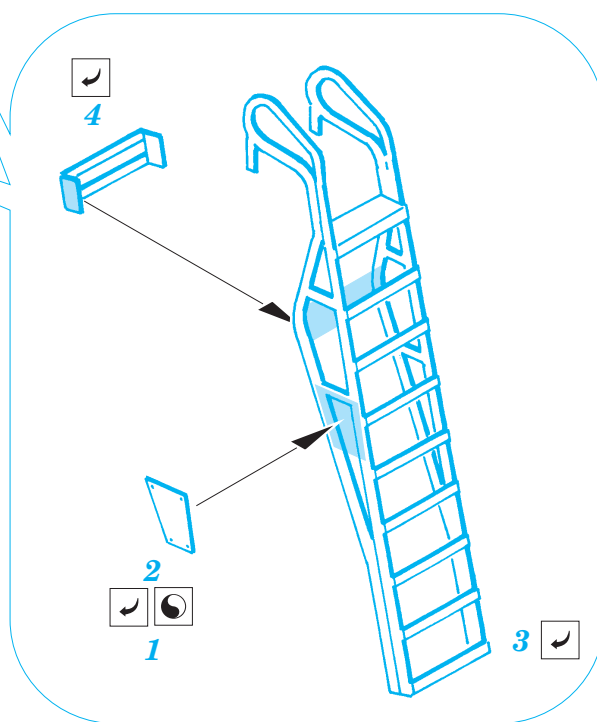
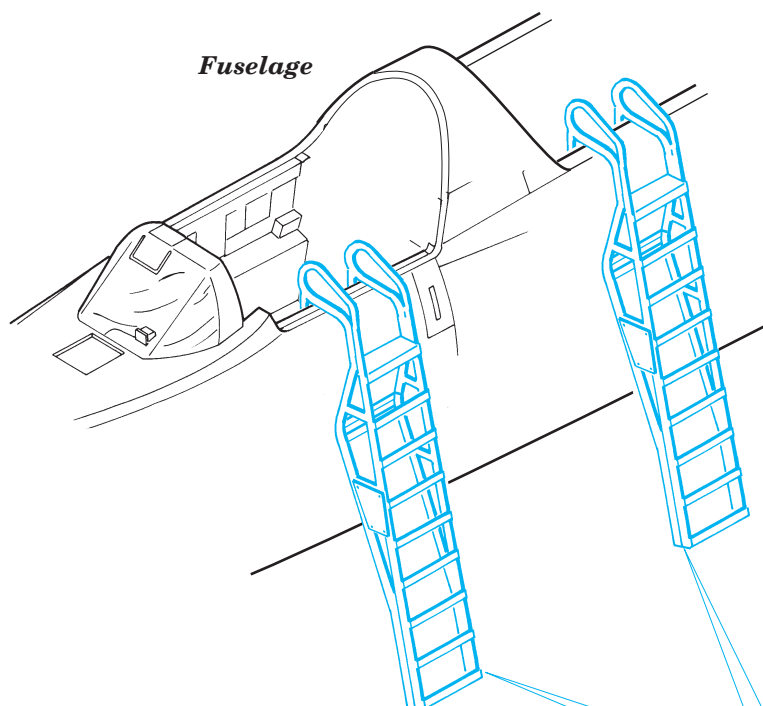
- | | | | |
|--|--|--|---------------------|
| | APPLY EXPRESS MASK AND PAINT BEFORE GLUING
POUŽIT EXPRESS MASK NABARVIT PŘED SLEPENÍM | | BEND
OHNOUT |
| | SYMETRICAL ASSEMBLY
SYMETRICKÁ MONTÁŽ | | OPTION
VOLBA |
| | REMOVE
ODSTRANIT | | REPLACE
NAHRADIT |
| | GRIND
OBROUSIT | | |
| | DRILL HOLE
VRTAT OTVOR | | |

ORIGINAL KIT PARTS
PŮVODNÍ DÍLY STAVEBNICE

PHOTO-ETCHED PARTS
LEPTANÉ DÍLY

PARTS TO BE REMOVED
DÍLY K ODSTRANĚNÍ

FILL
TMELIT



REFERENCES:

Squadron/Signal Publ.: Walk Around # 5523 - F-105 Thunderchief
Detail & Scale # 8 - F-105 Thunderchief

For further detail sets look for [eduard](#) 73 310 F-105G Thunderchief interior and 72 483 F-105G Thunderchief exterior (not included in this set)