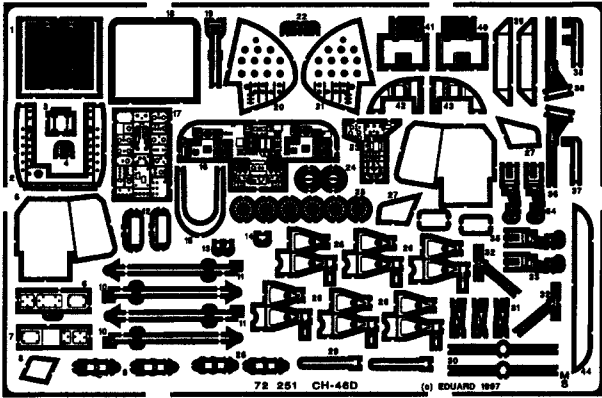









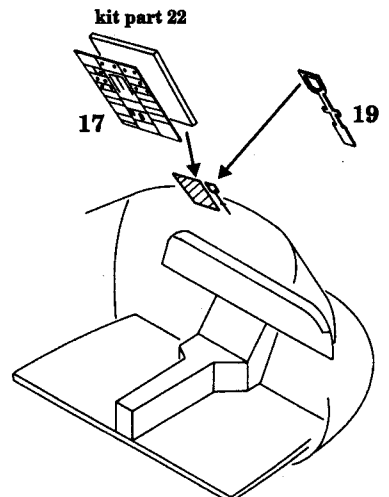
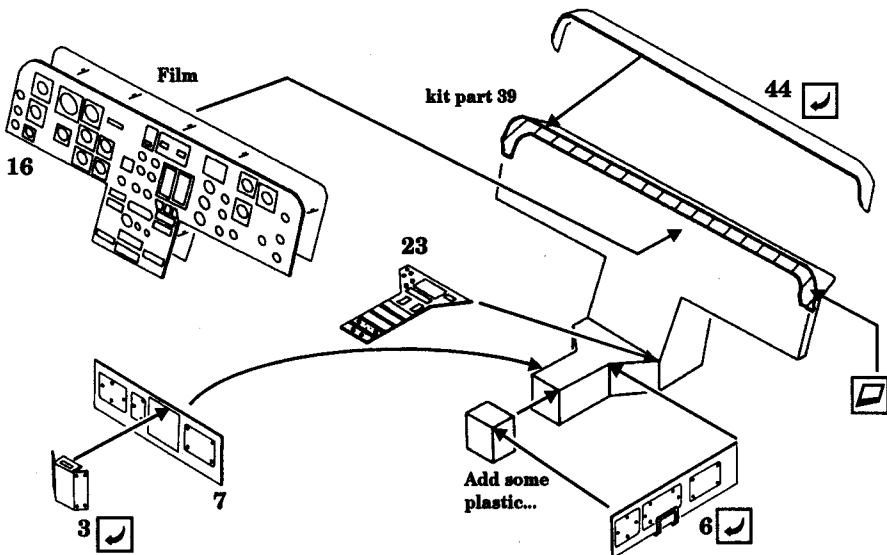
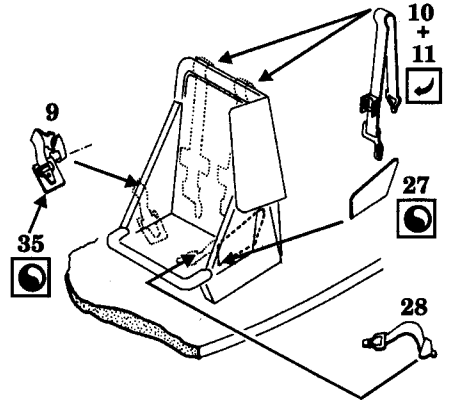
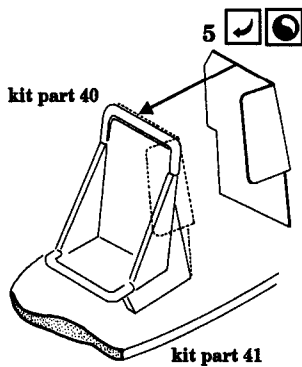
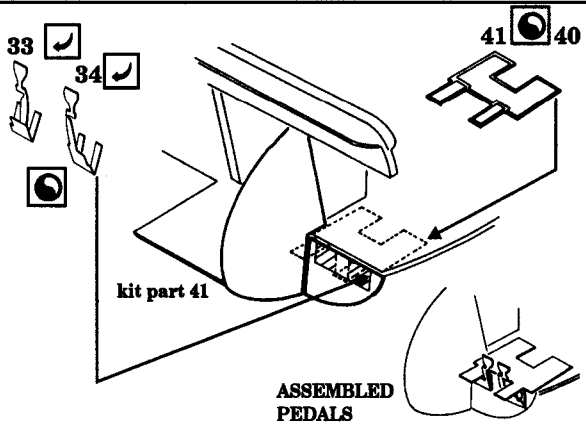
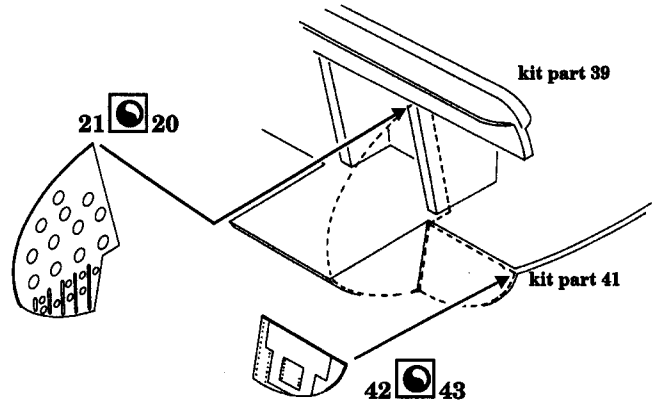
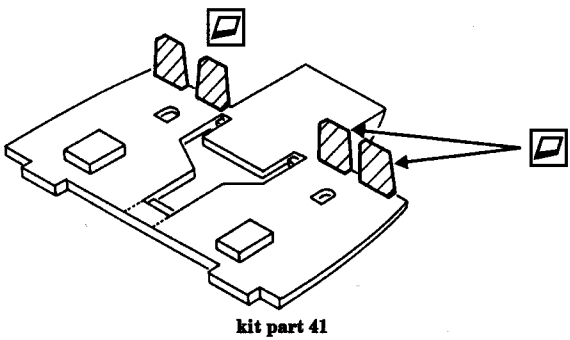
# CH-46 D

1/72 scale detail set for FUJIMI kit



-  OPPOSITE SIDE
-  REMOVE
-  BEND
-  REPLACE
-  GRIND

## FLOOR



**ROTORS**

**MIRRORS**

