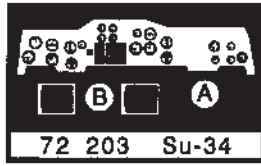
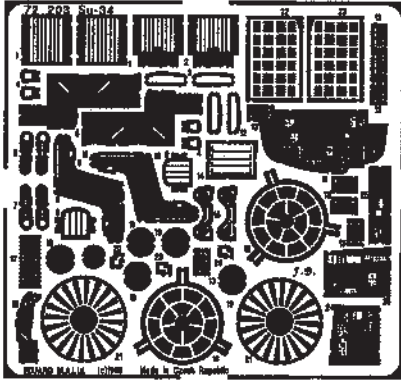




# Su-34

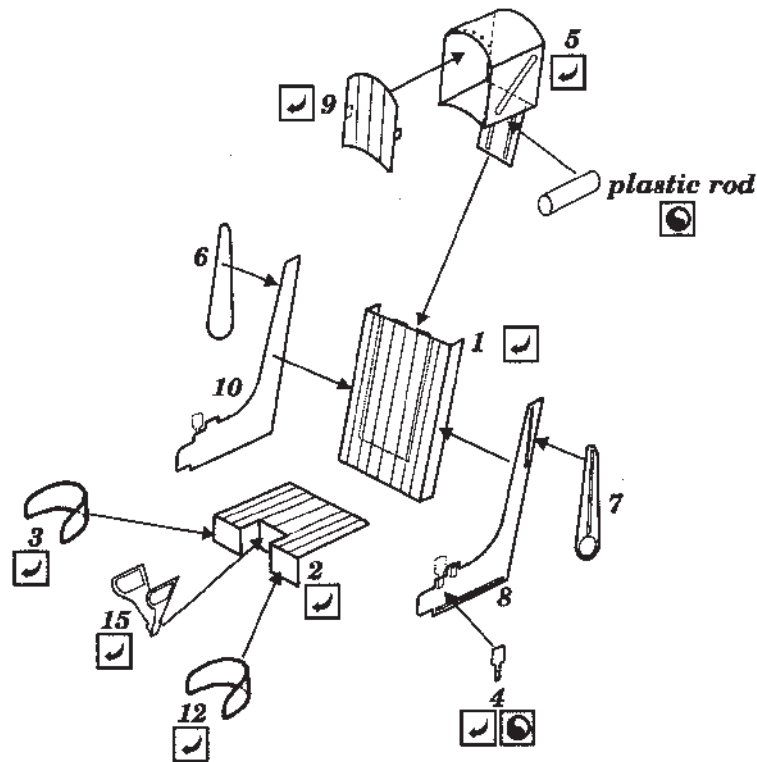
## 72 203

1/72 scale detail set for Italeri kit

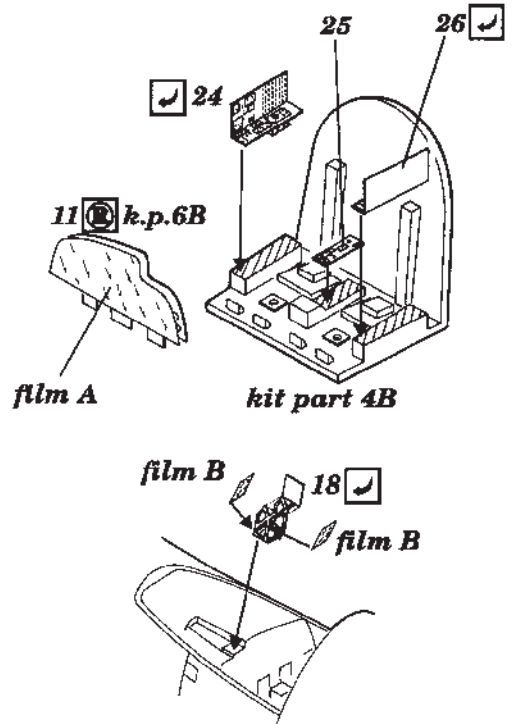


- OPPOSITE SIDE
- REMOVE
- BEND
- REPLACE
- GRIND

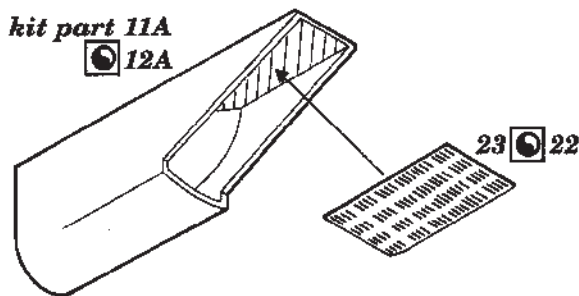
### A SEAT



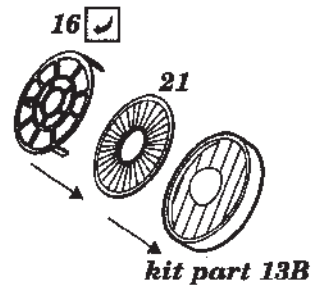
### B COCKPIT



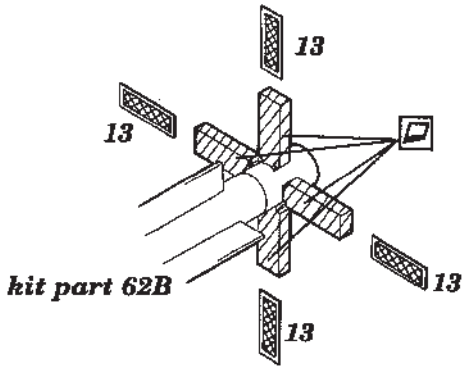
### C AIR INTAKE



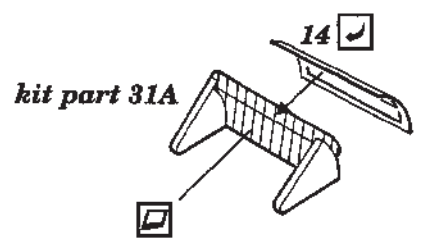
### D ENGINE



# E MISSILE AIR BRAKES



# F NOSE MUD GUARD



# G EXTERNAL PARTS

