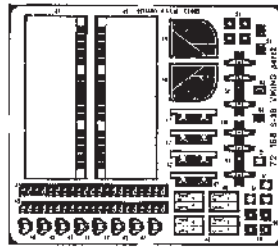
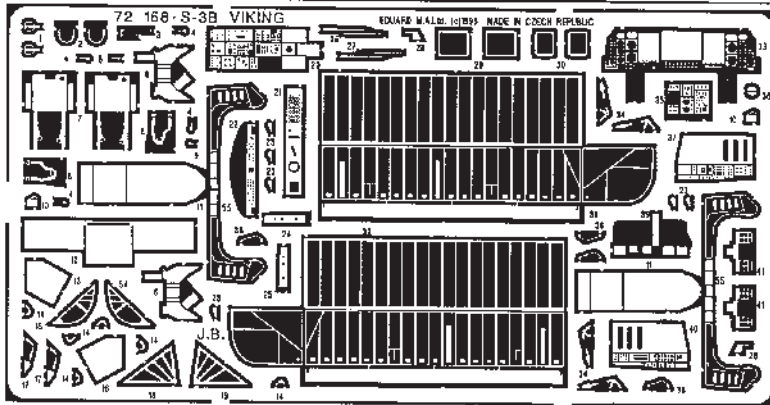









Lockheed S-3B Viking

1/72 scale detail set for Hasegawa kit

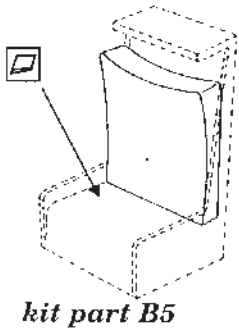
72 168



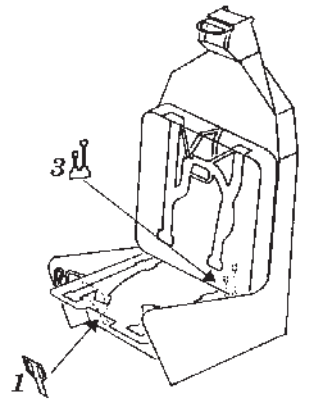
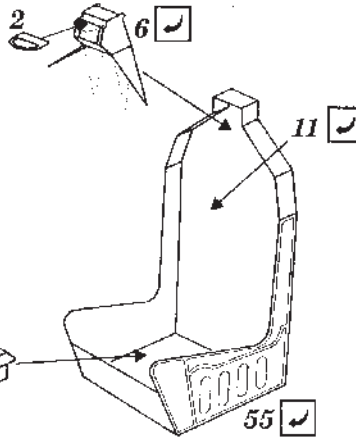
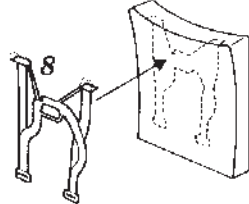
-  OPPOSITE SIDE
-  REMOVE
-  BEND
-  REPLACE
-  GRIND



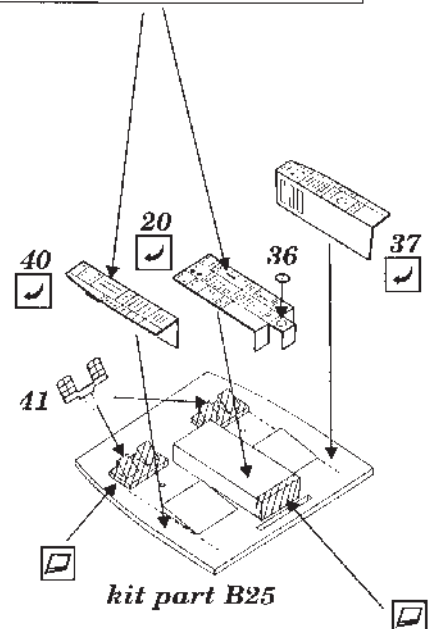
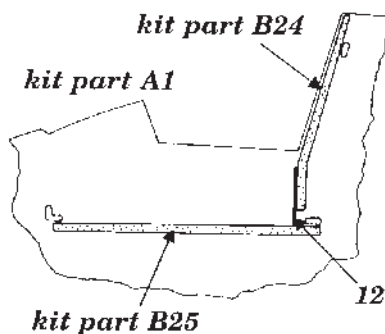
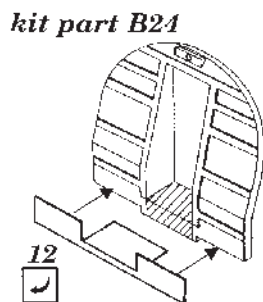
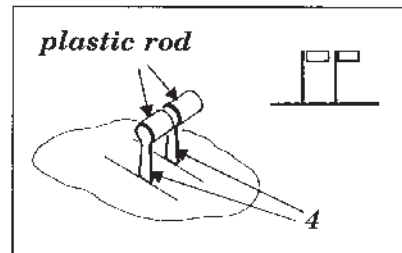
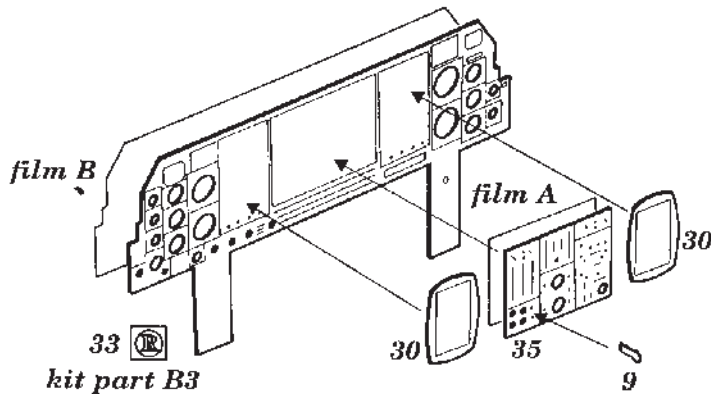
A EJECTION SEAT



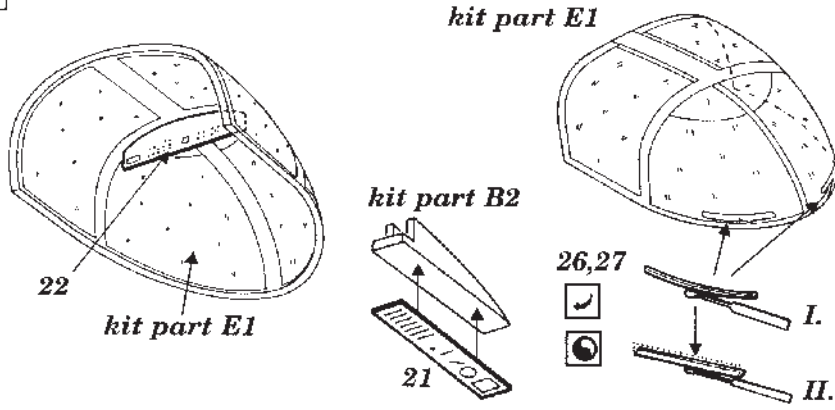
from kit part B5



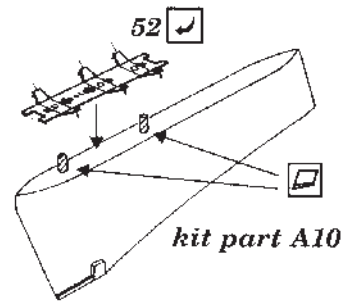
B COCKPIT



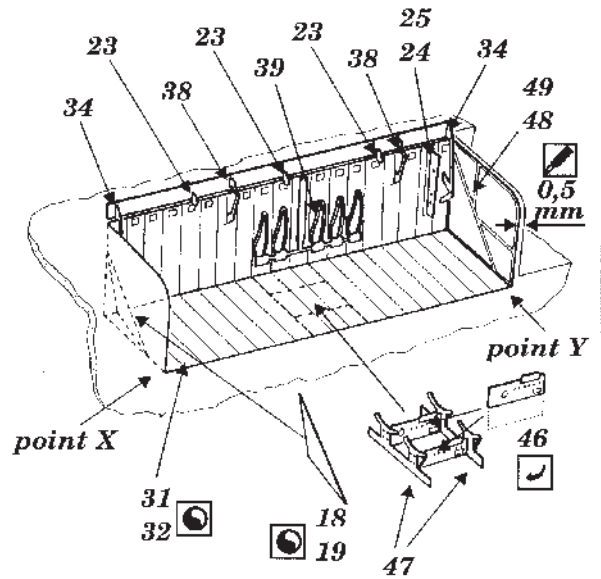
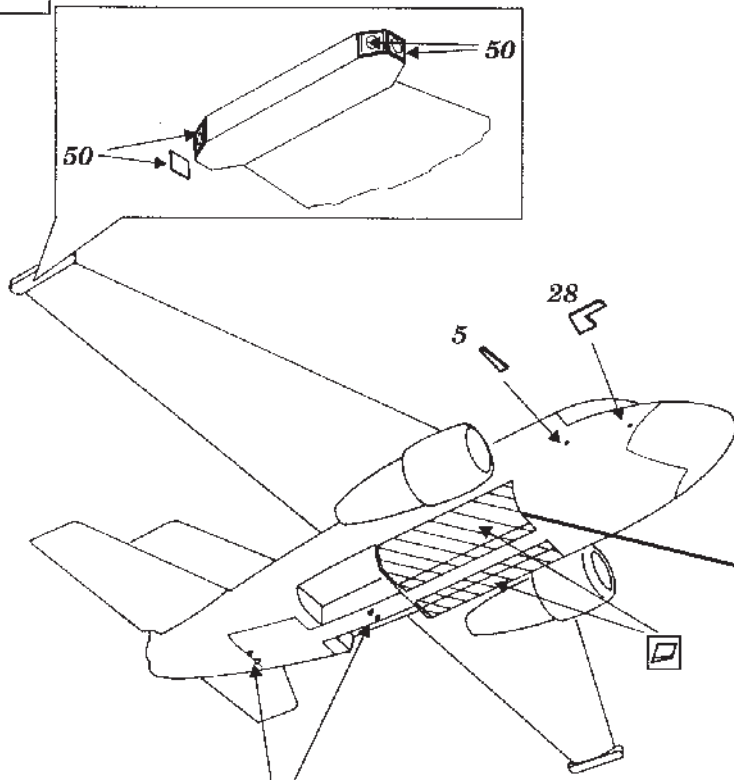
C CANOPY



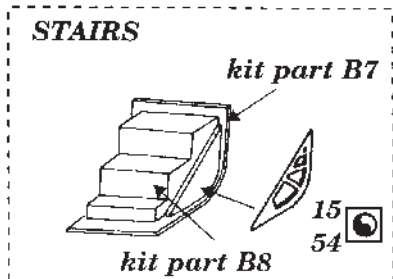
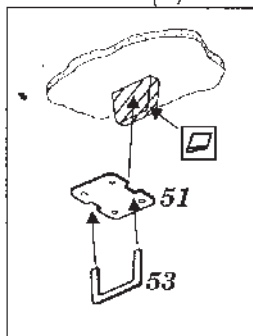
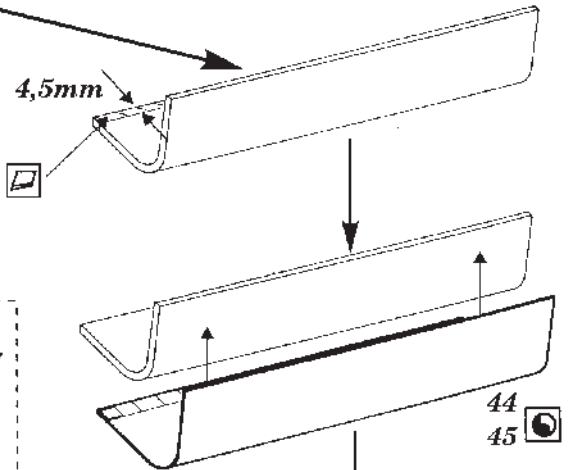
D WING PYLON



E BOMB BAY + EXTERIOR



from kit parts A1,A2



MAIN UNDERCARRIAGE WELL

