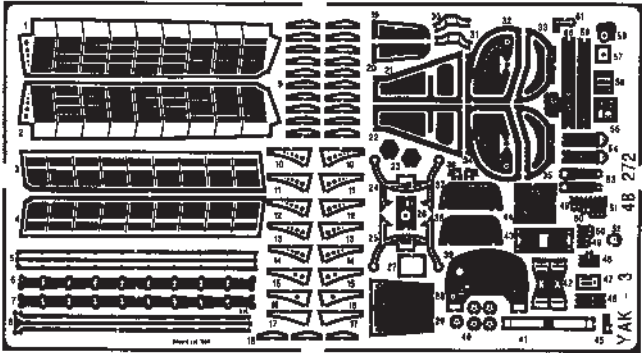











YAK - 3

1/48 scale detail set for EDUARD kit

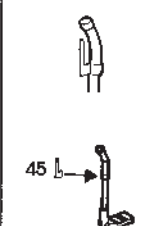
48 272



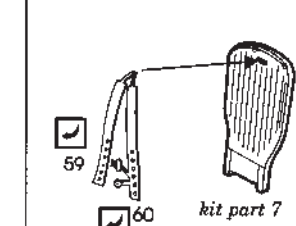
-  OPPOSITE SIDE
-  REMOVE
-  BEND
-  REPLACE
-  GRIND
-  OPTION



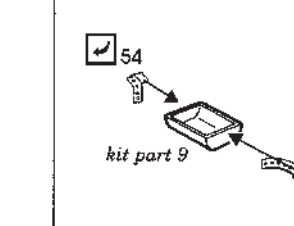
kit part 49



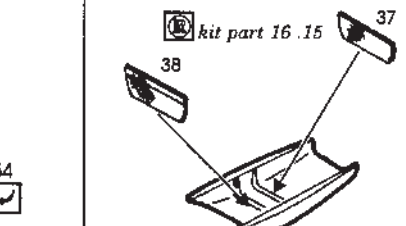
kit part 48



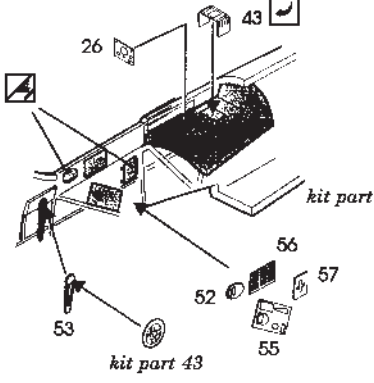
kit part 7



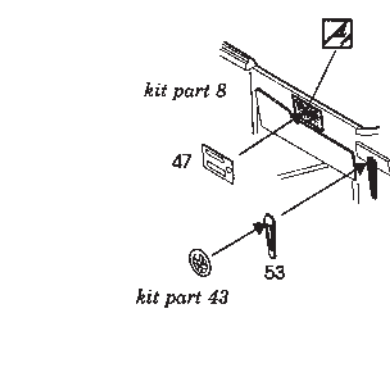
kit part 9



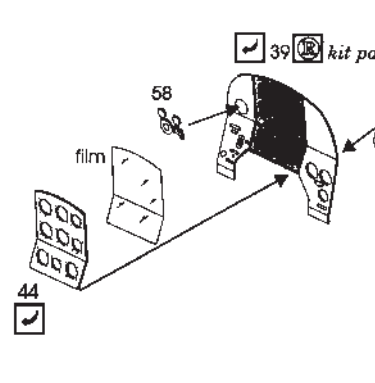
kit part 25



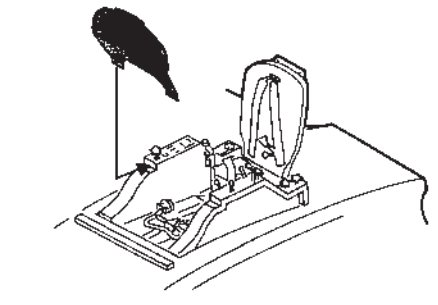
kit part 1



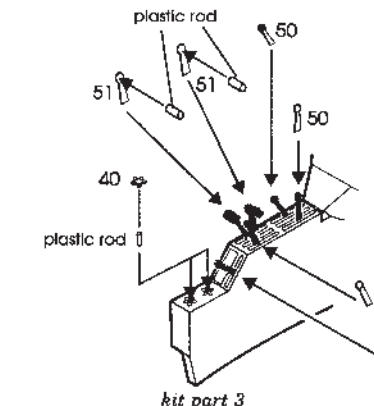
kit part 8



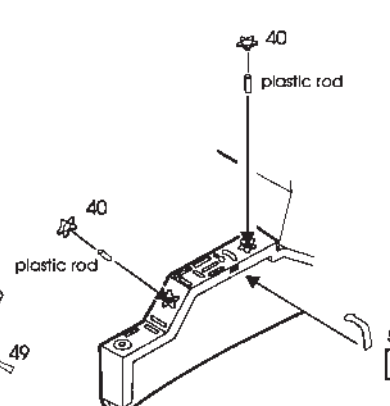
kit part 43



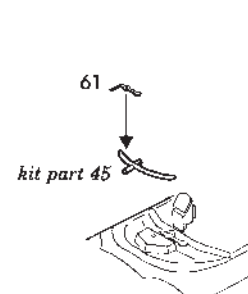
kit part 24



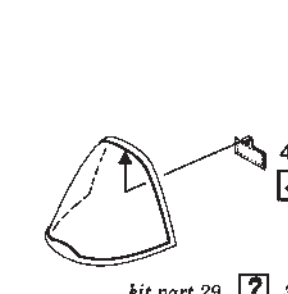
kit part 3



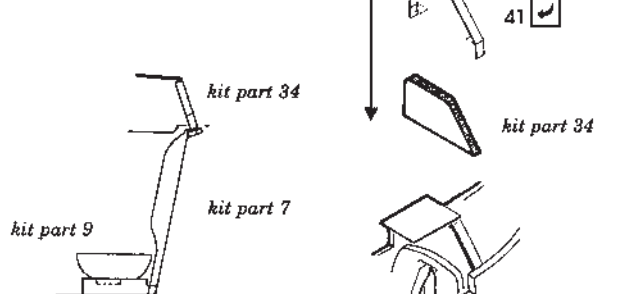
kit part 6



kit part 45



kit part 29



kit part 7

