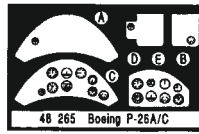
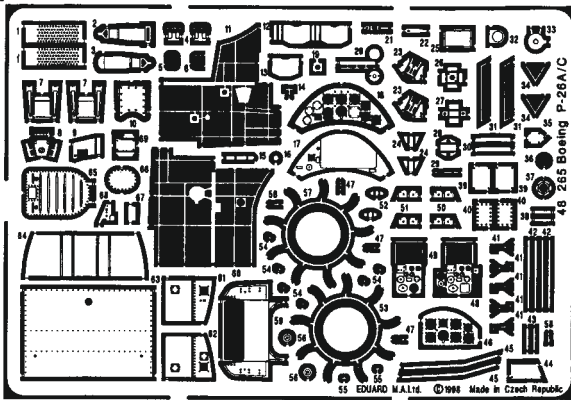




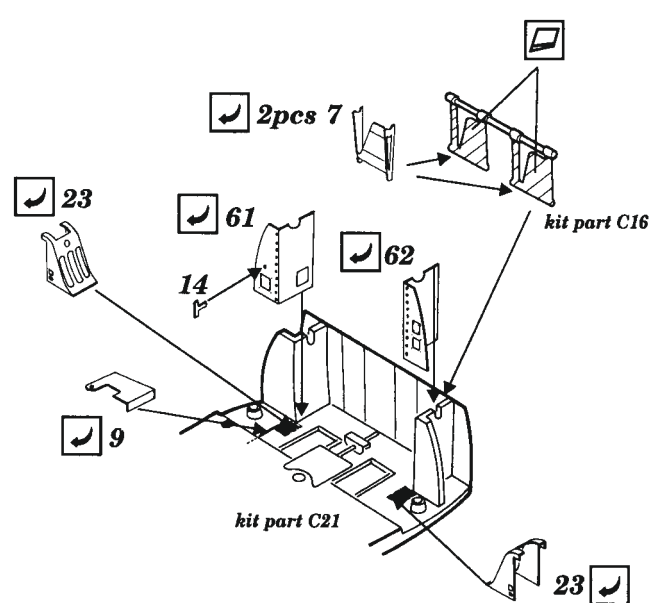
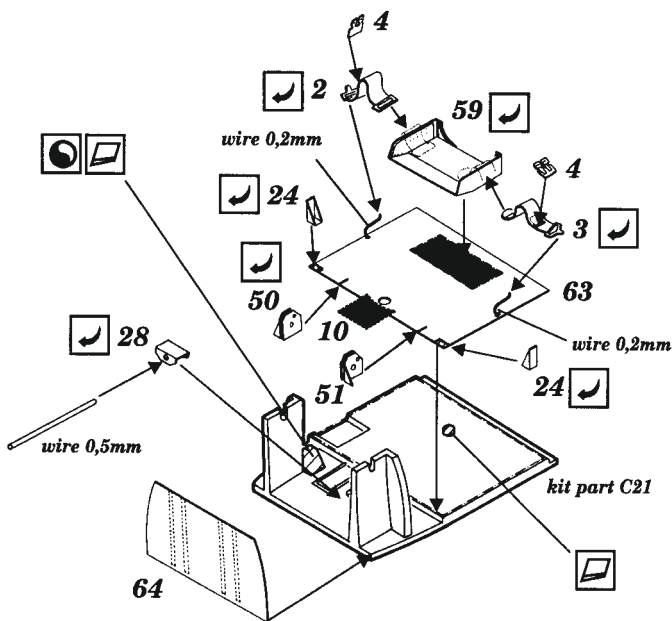
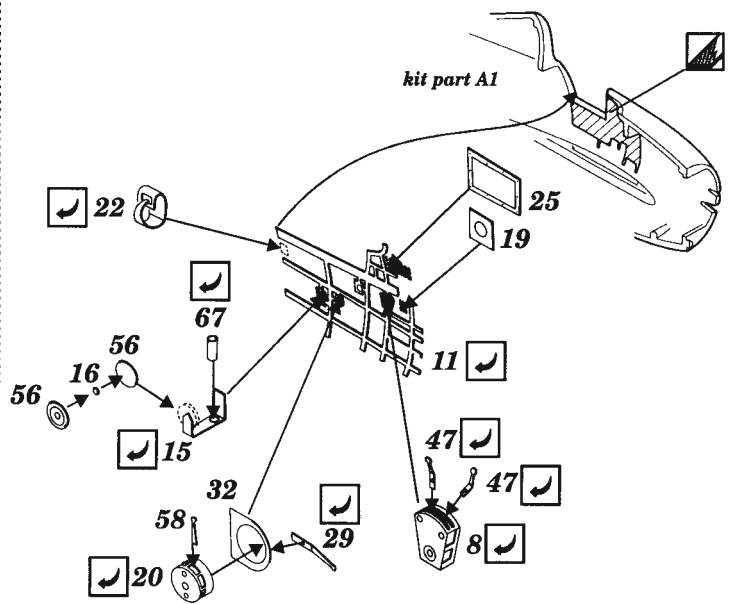
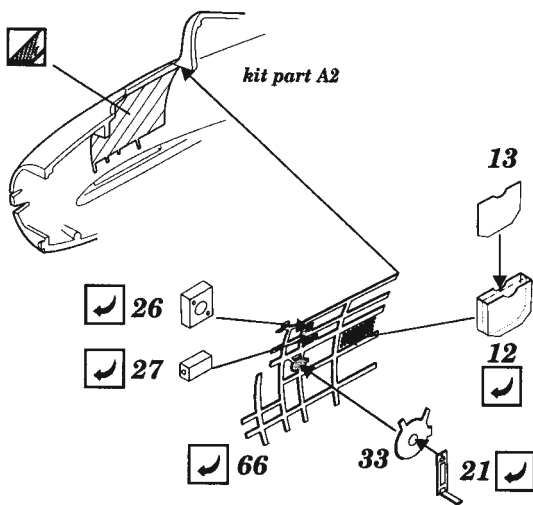
# Boeing P-26A/C

1/48 scale detail set for Hobbycraft kit

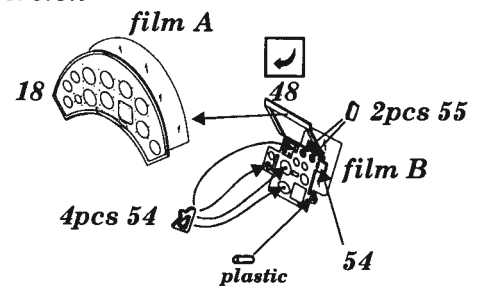


- OPPOSITE SIDE
- REMOVE
- BEND
- REPLACE
- GRIND
- OPTION

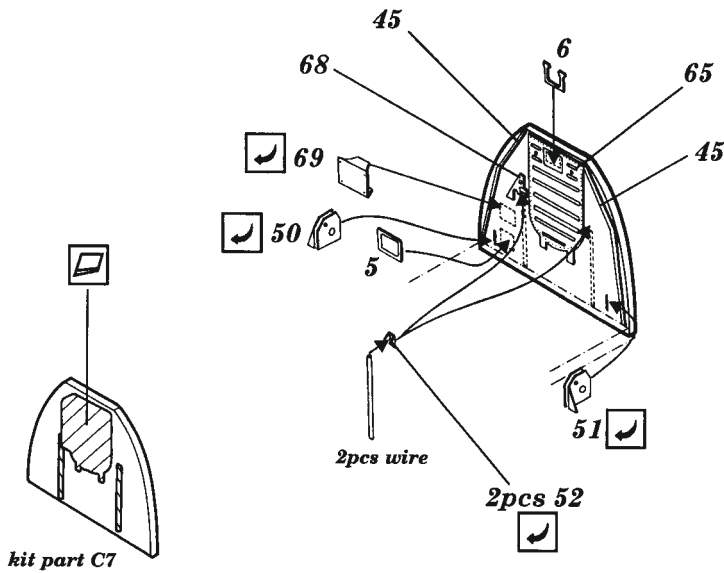
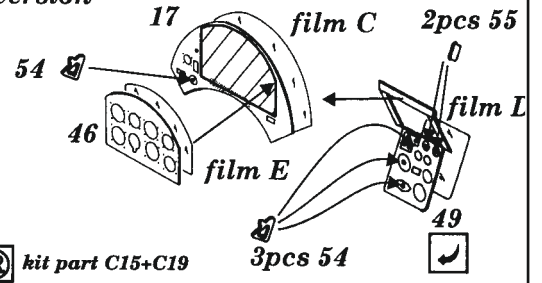
## A COCKPIT



Early version



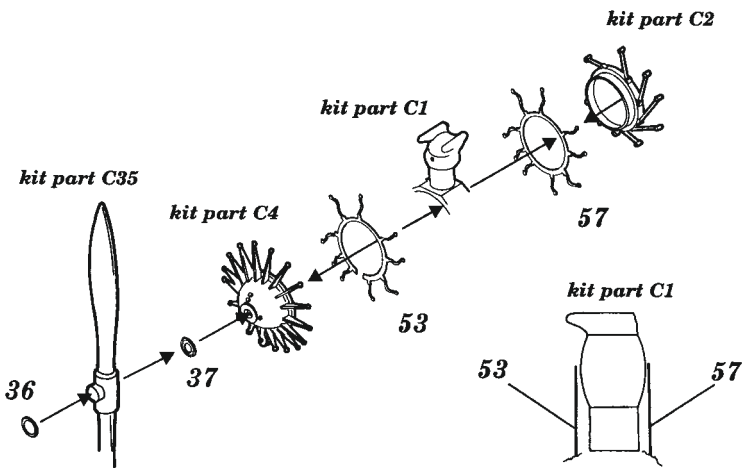
Late version



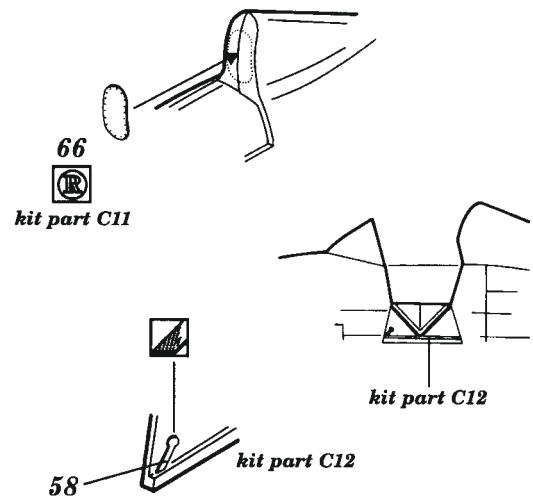
kit part C7

kit part C15+C19

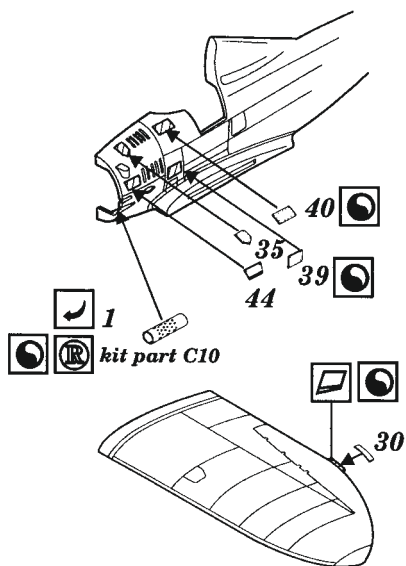
**B** ENGINE



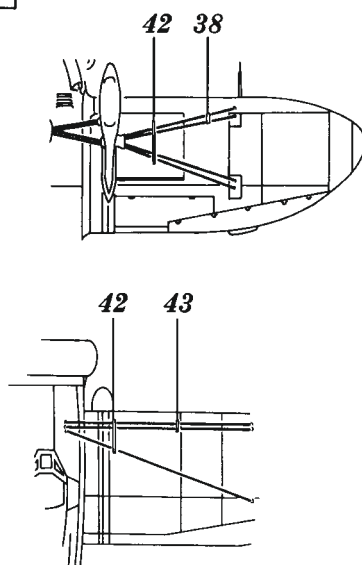
**C** COCKPIT DOOR



**D** EXTERIOR PARTS



**E** RIGGING



**F** BOMB RACK

