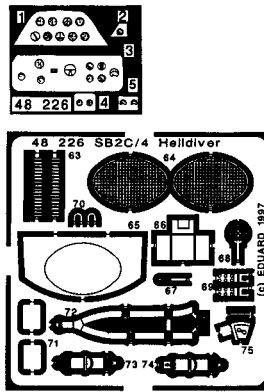
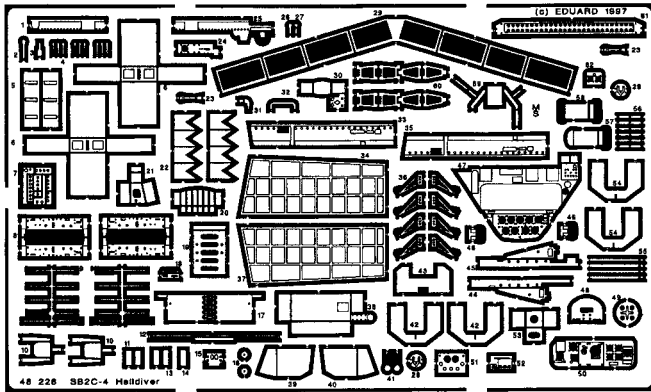









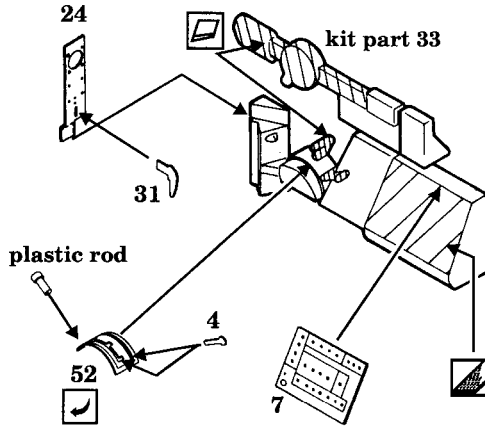
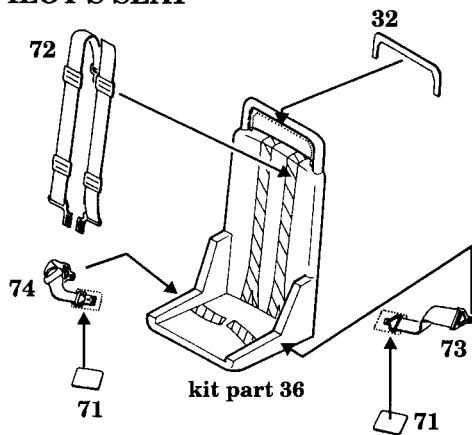
# Curtiss SB2C-4 Helldiver

1/48 scale detail set for PRO-MODELER kit

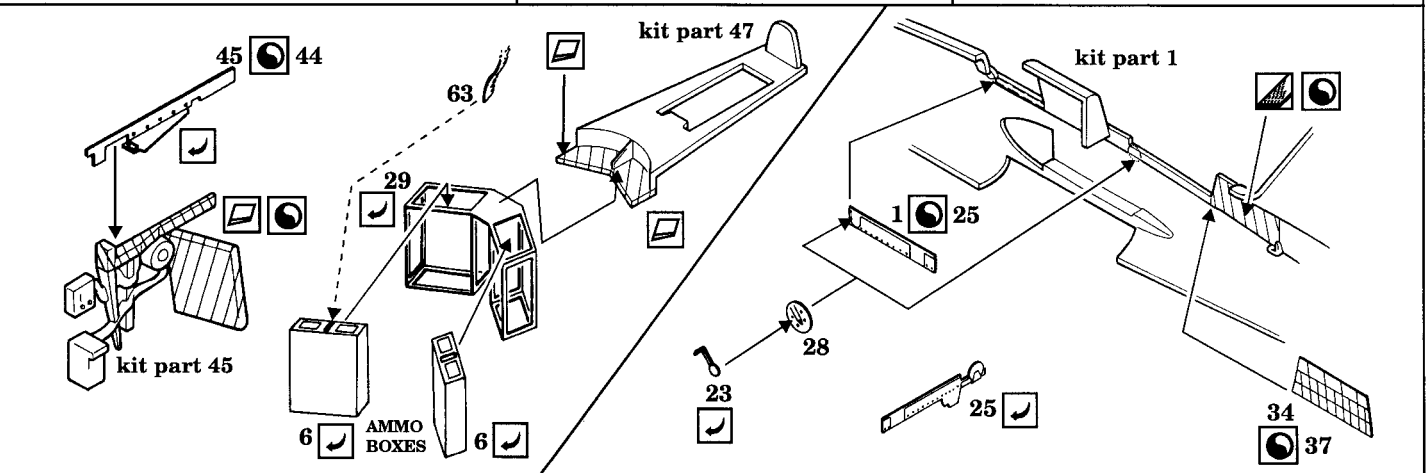
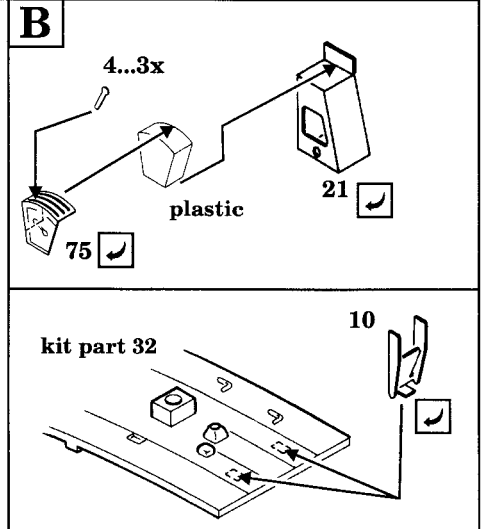
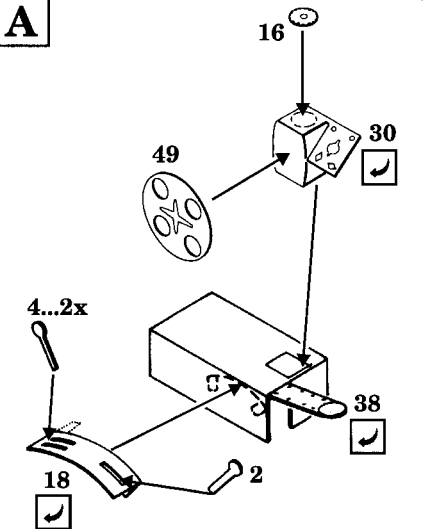
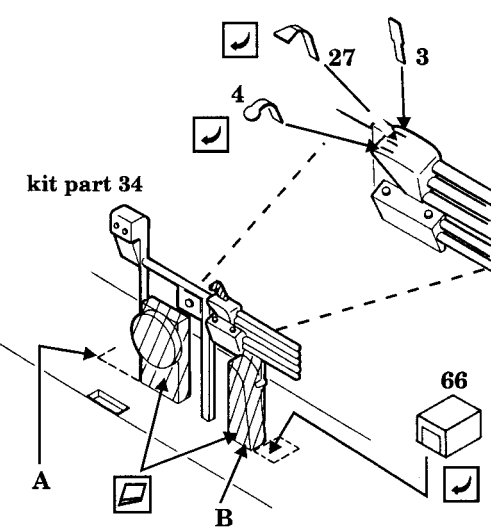
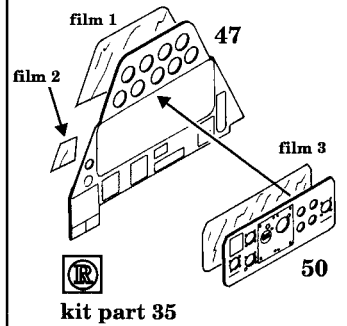


-  OPPOSITE SIDE
-  REMOVE
-  BEND
-  REPLACE
-  GRIND

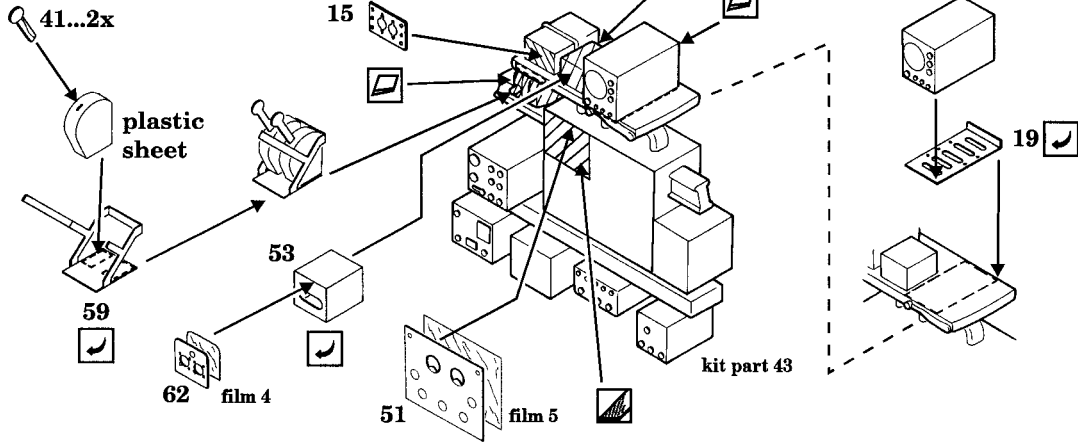
### PILOT'S SEAT



### INSTRUMENT PANEL



### RADIO EQUIPMENT



### WINDSCREEN

