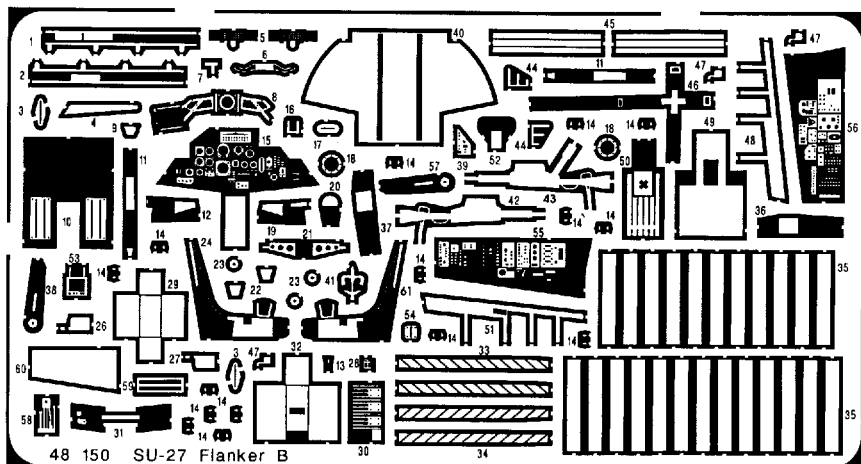




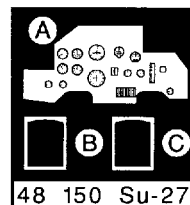
Su-27 Flanker B

48 150

1/48 scale detail set for Academy kit

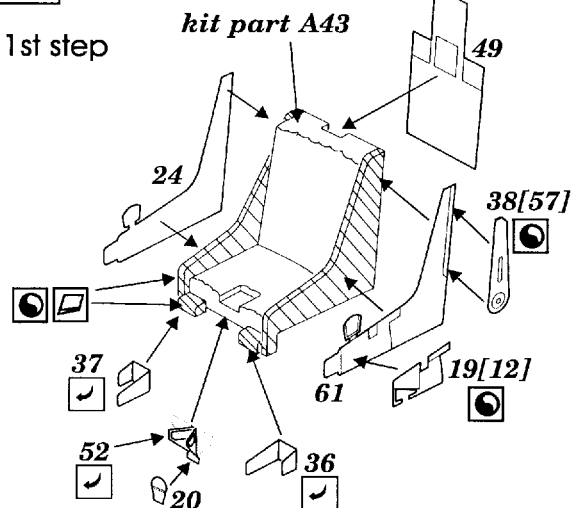


- BEND
- REPLACE
- GRIND
- OPPOSITE SIDE
- REMOVE
- OPTION

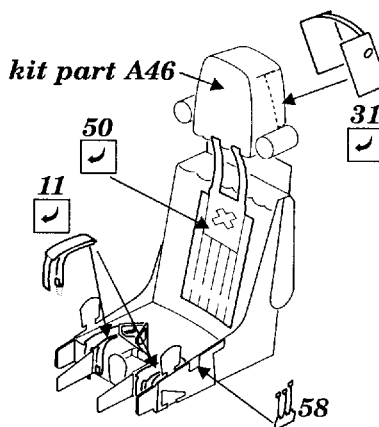


A EJECTION SEAT

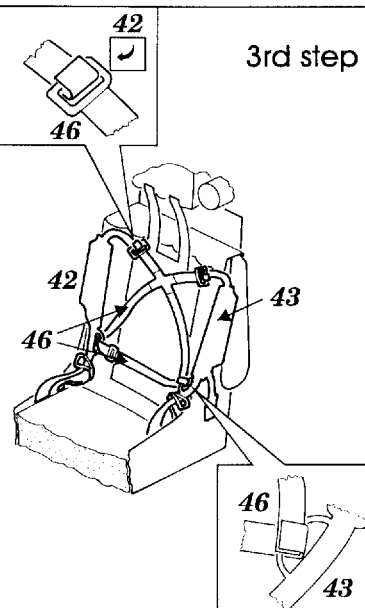
1st step



2nd step

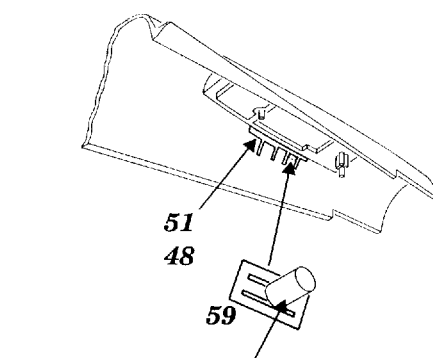
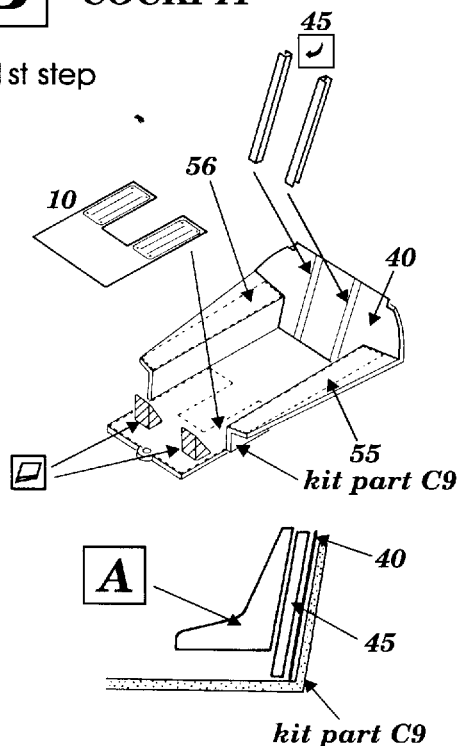


3rd step



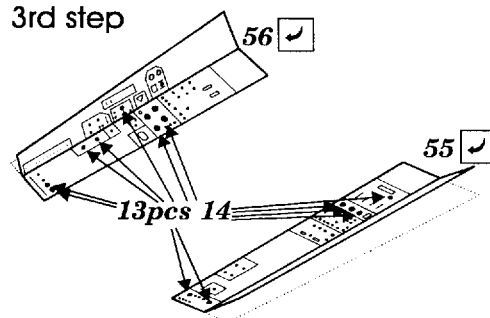
B COCKPIT

1st step

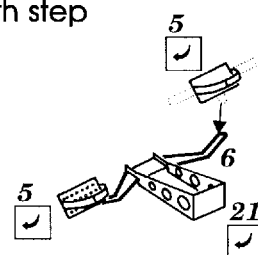


2nd step plastic rod ϕ 1mm

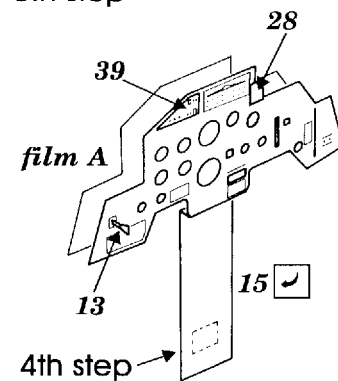
3rd step



4th step

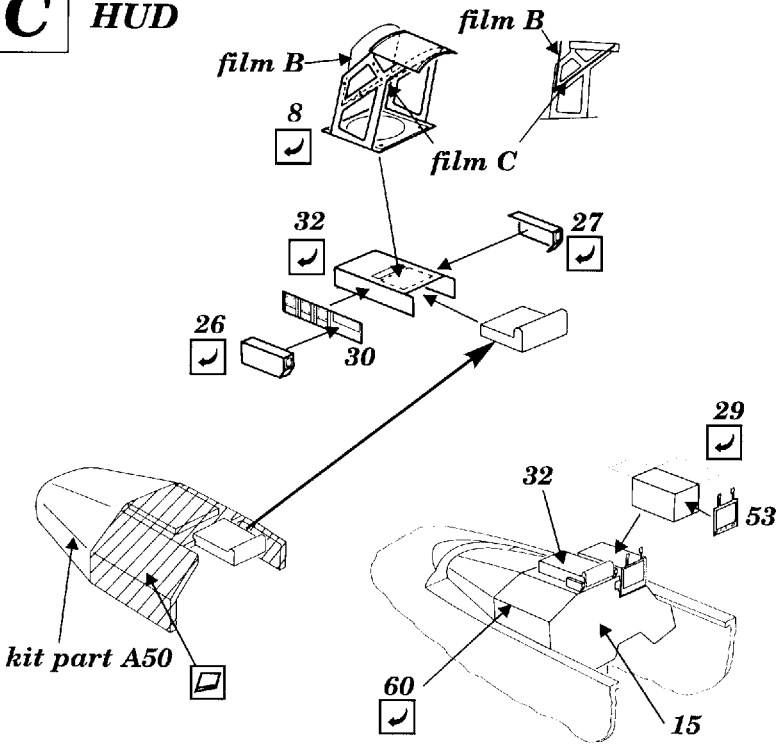


5th step

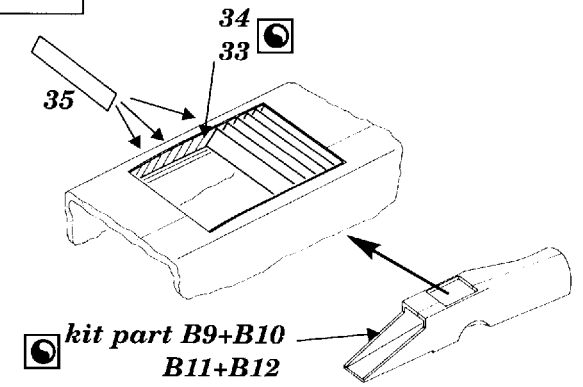


kit part A16

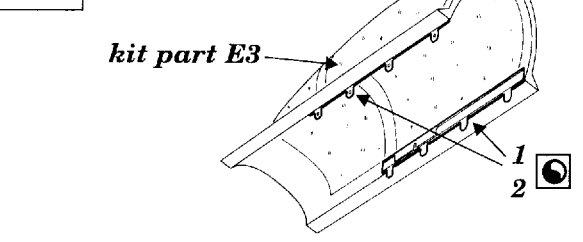
C HUD



D AIR INTAKE



E CANOPY



F AERIALS + EXTERNAL PARTS

