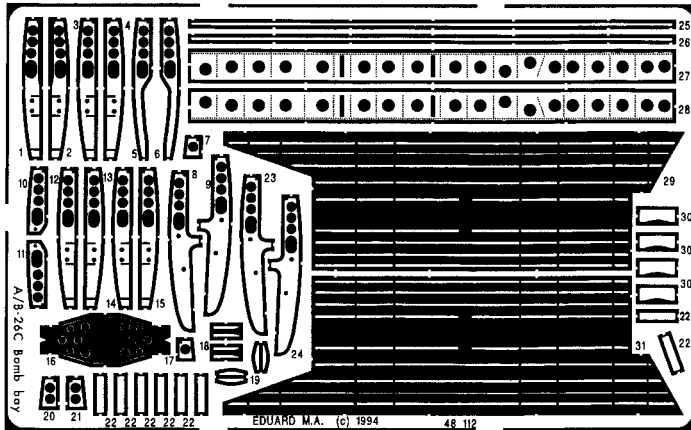







A/B-26C Invader - Bomb bay

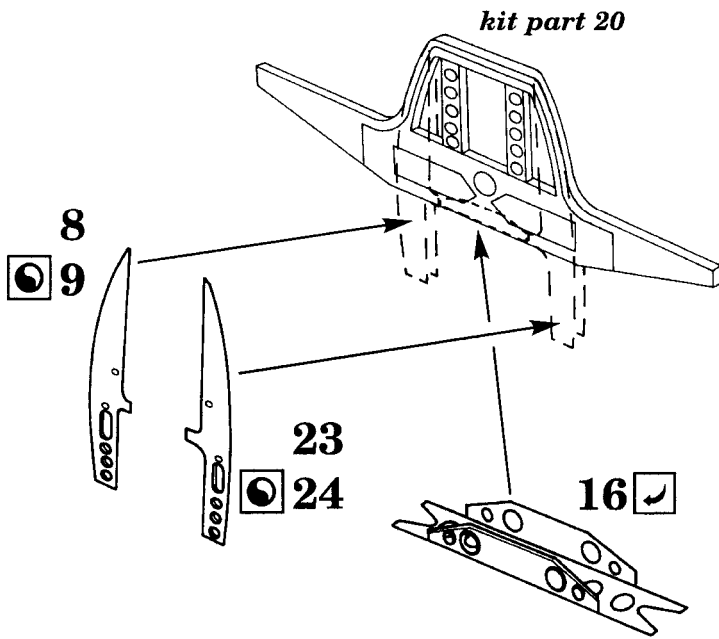
1/48 scale detail set for Monogram kit

48 112

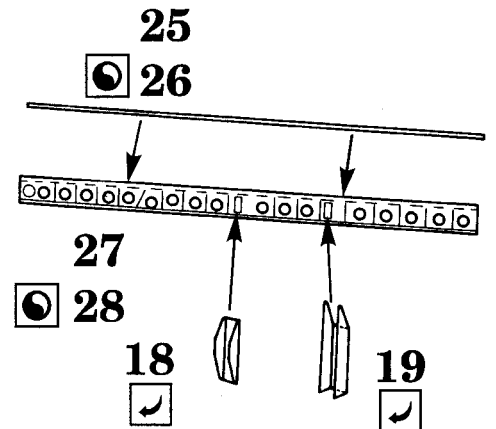


-  OPPOSITE SIDE
-  GRIND
-  BEND

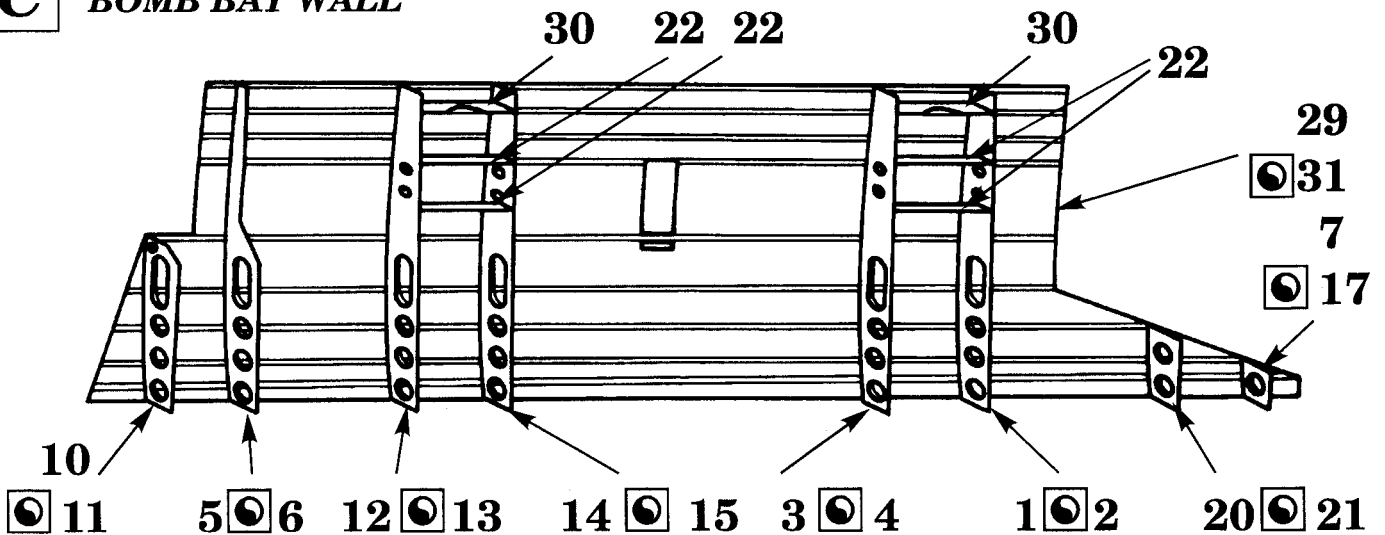
A WING SPAR BULKHEAD



B BOMB BAY STRINGER



C BOMB BAY WALL



C BOMB BAY ASSEMBLY

