

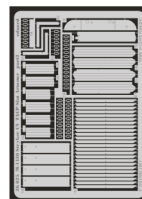
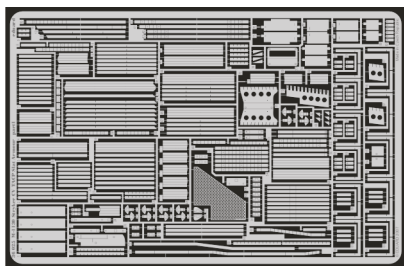


M-1130 Stryker CV TACP Slat Armour

eduard

1/35 scale detail set for AFV Club No.35130kit • sada detailů pro model 1/35 AFV Club 35130

36 025



- APPLY EXPRESS MASK AND PAINT BEFORE GLUING
POUŽIT EXPRESS MASK NABARVIT PŘED SLEPENÍM
- SYMETRICAL ASSEMBLY
SYMETRICKÁ MONTÁŽ
- REMOVE
ODSTRANIT
- GRIND
OBROUSIT
- DRILL HOLE
VRTAT OTVOR
- BEND
OHNOUT
- OPTION
VOLBA
- REPLACE
NAHRADIT

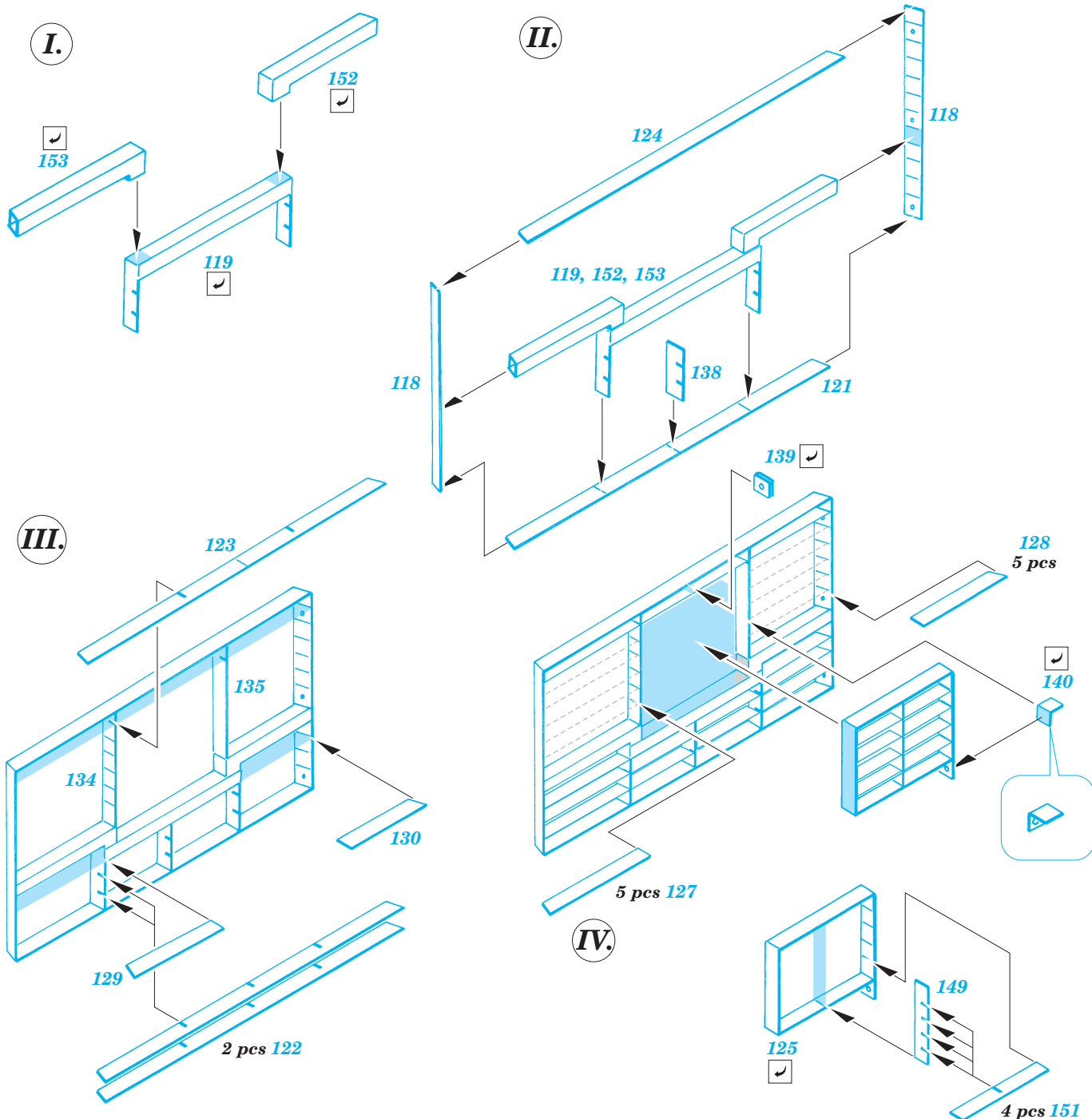
ORIGINAL KIT PARTS
PŮVODNÍ DÍLY STAVEBNICE

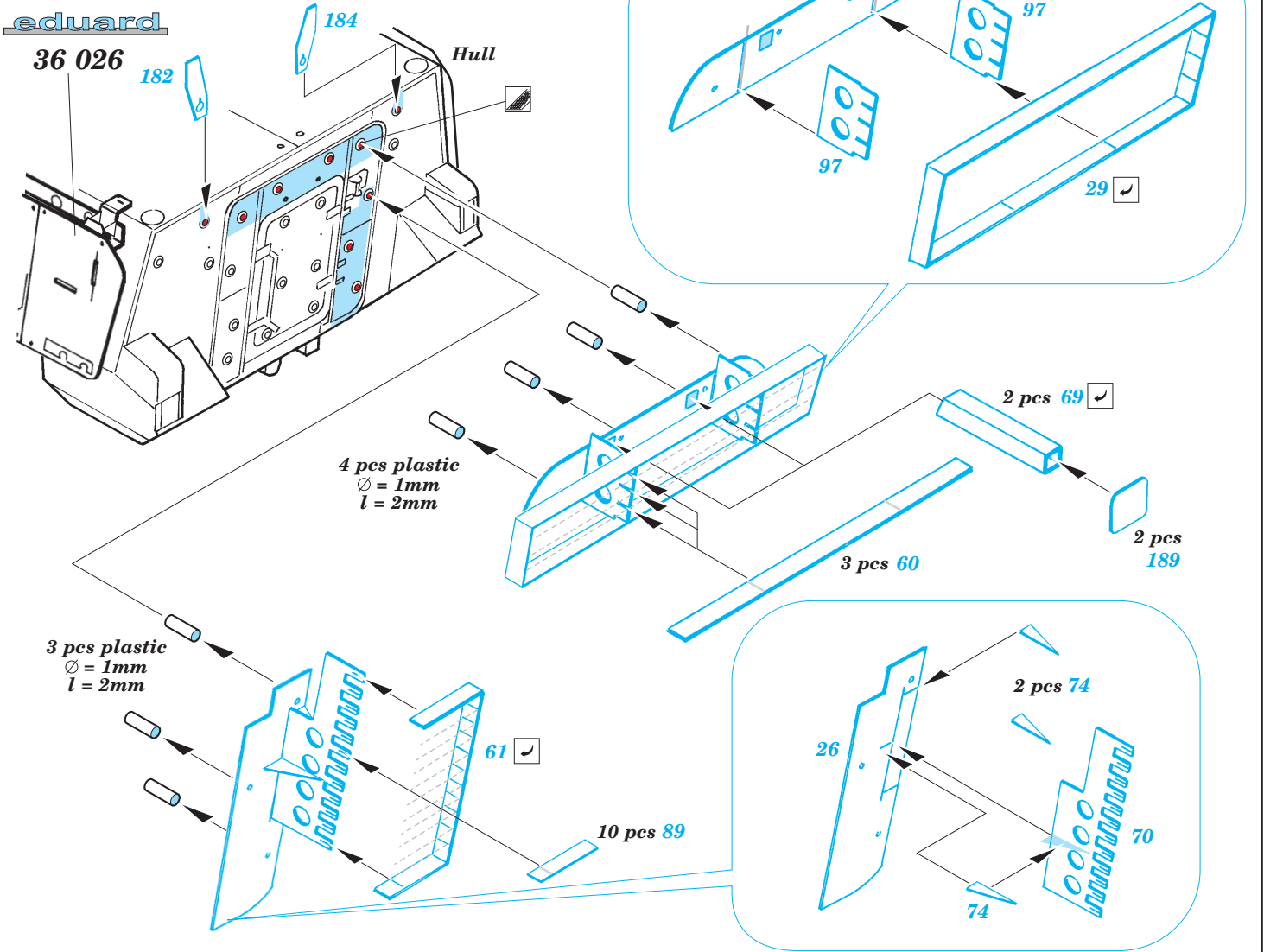
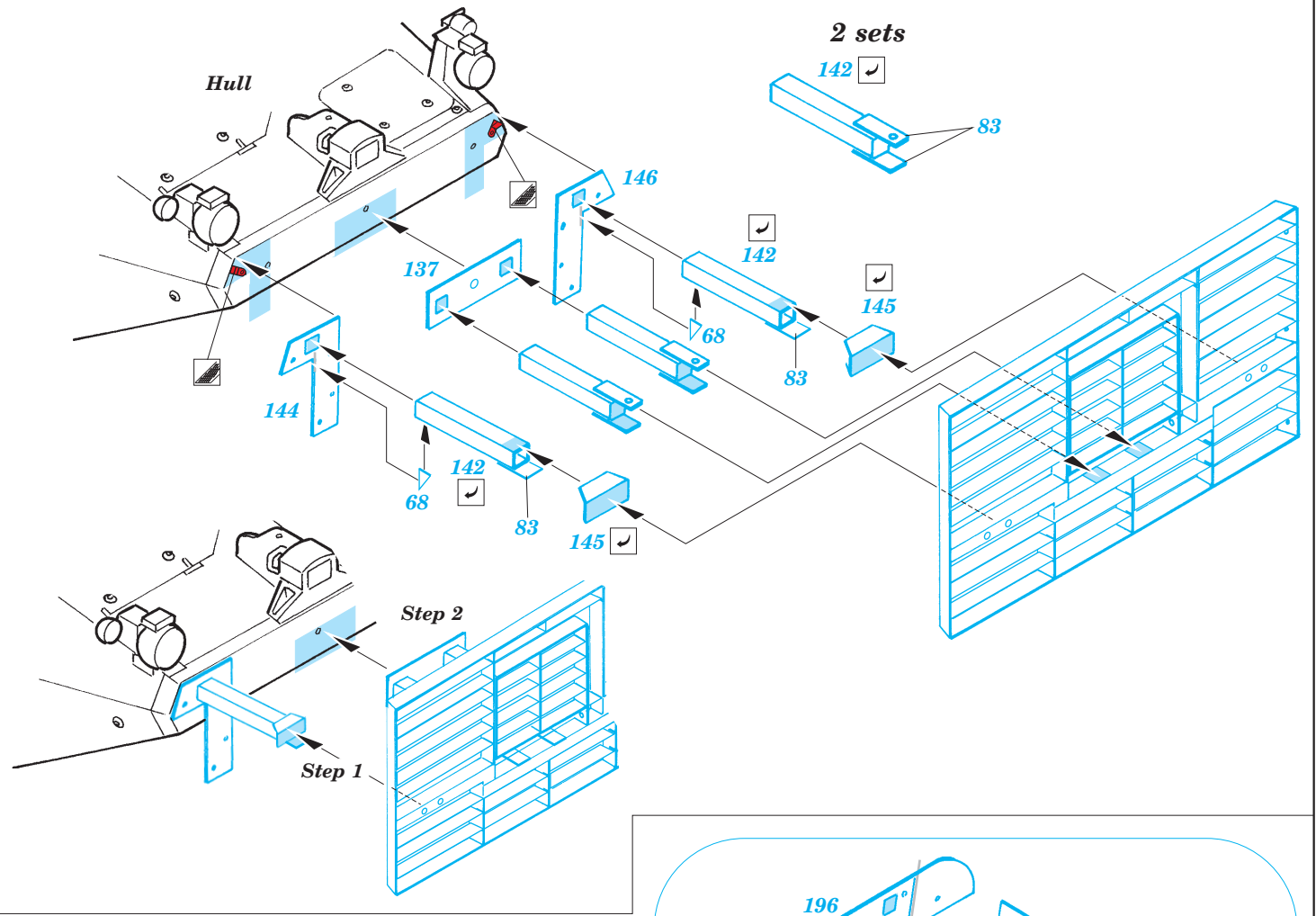
PHOTO-ETCHED PARTS
LEPTANÉ DÍLY

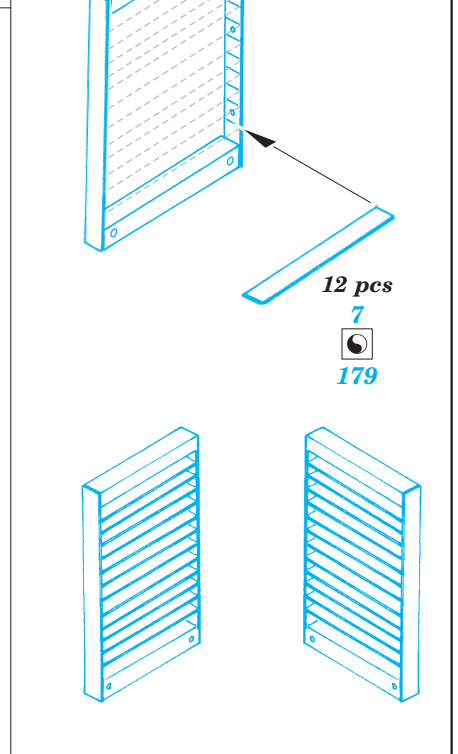
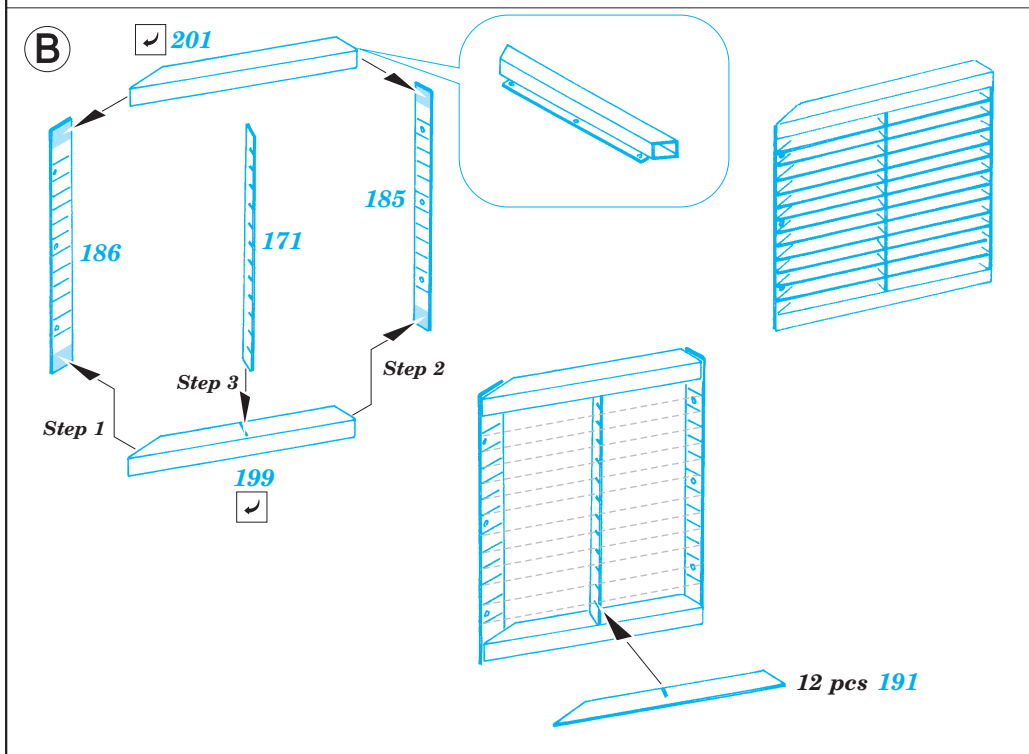
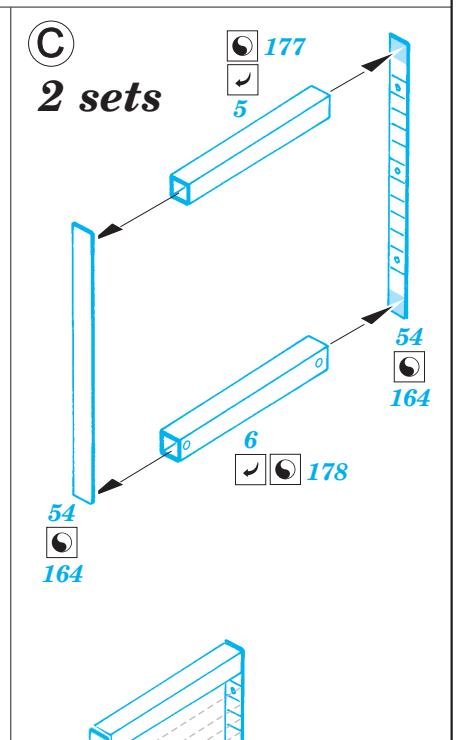
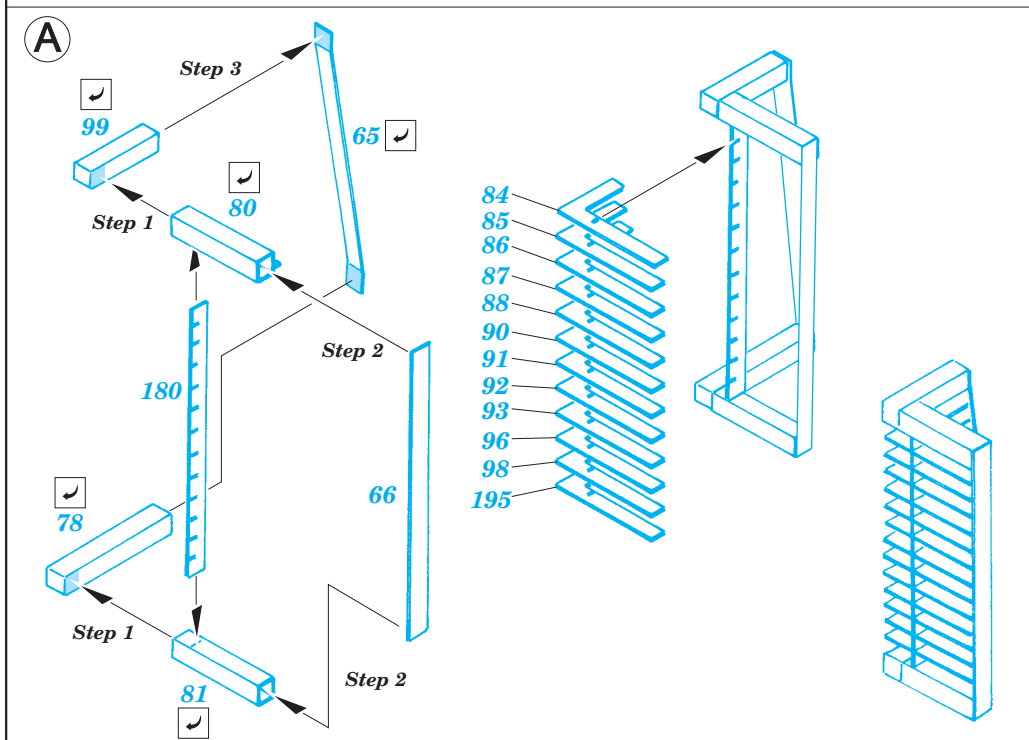
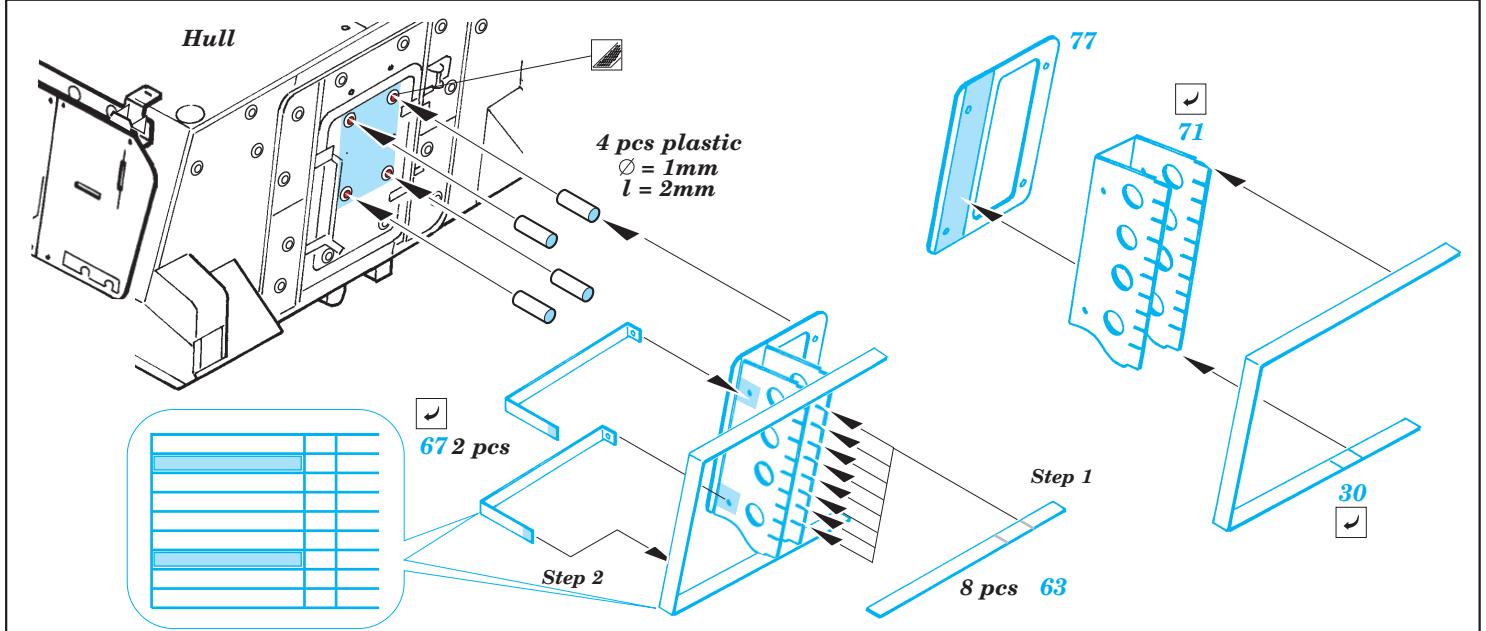
PARTS TO BE REMOVED
DÍLY K ODSTRANĚNÍ

FILL
TMELIT

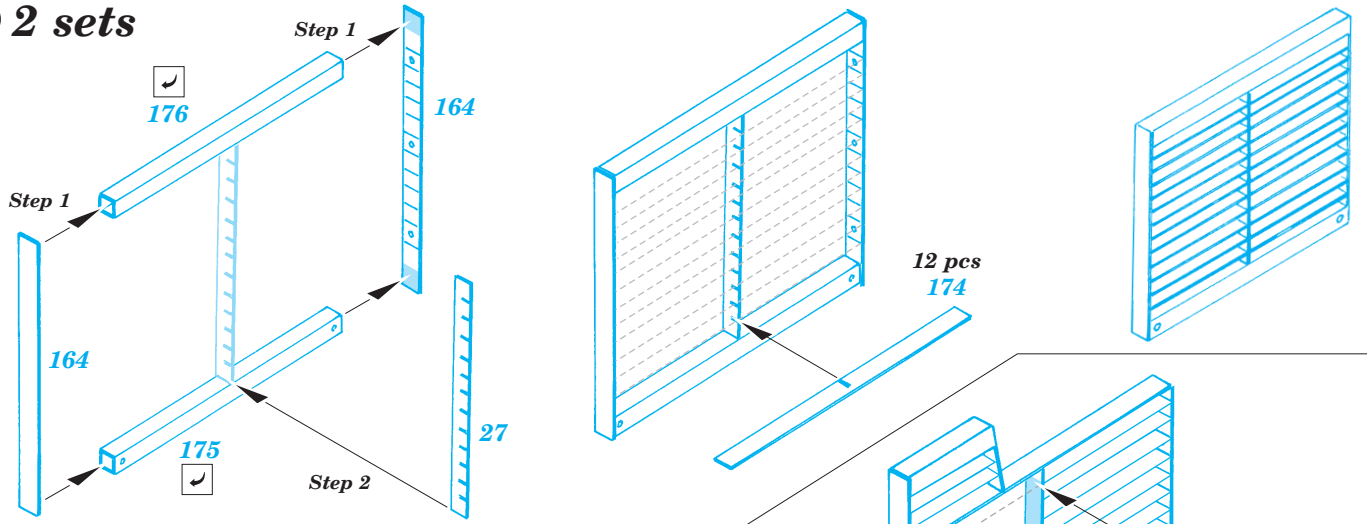
This set must be used on base eduard 36 026 M-1130 Stryker CV TACP additional armour (not included in this set)



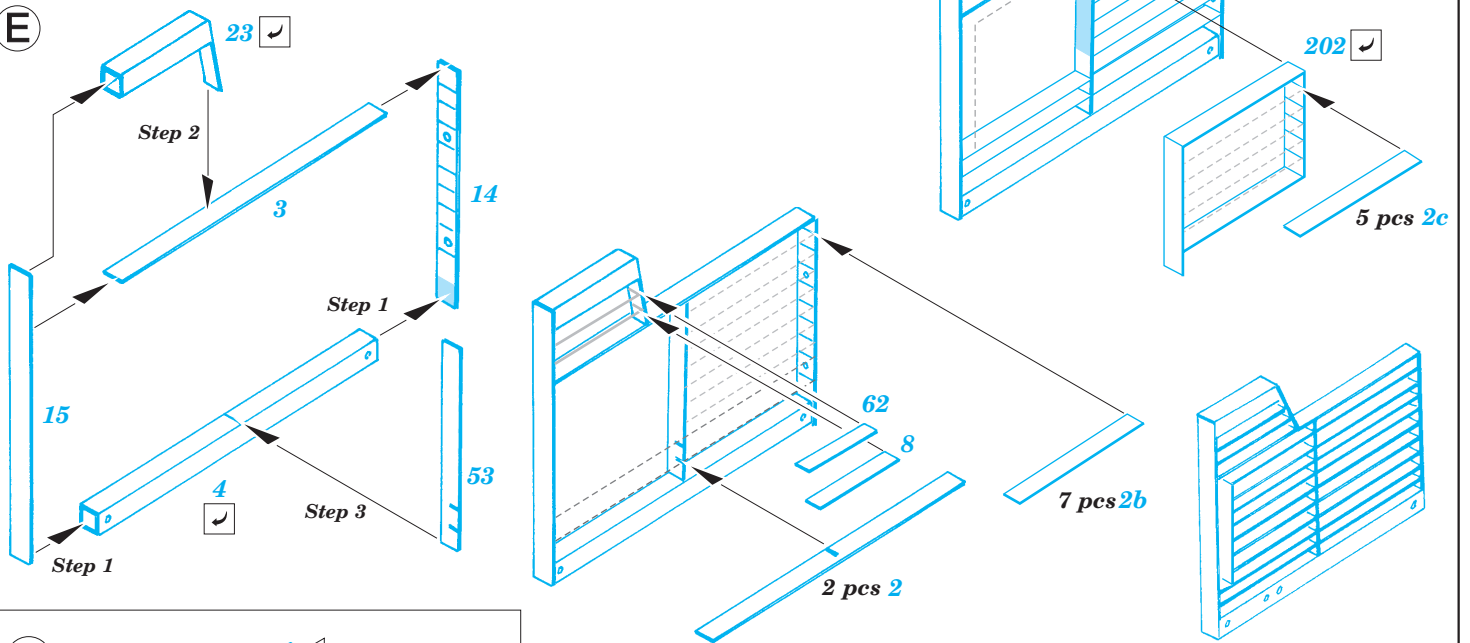




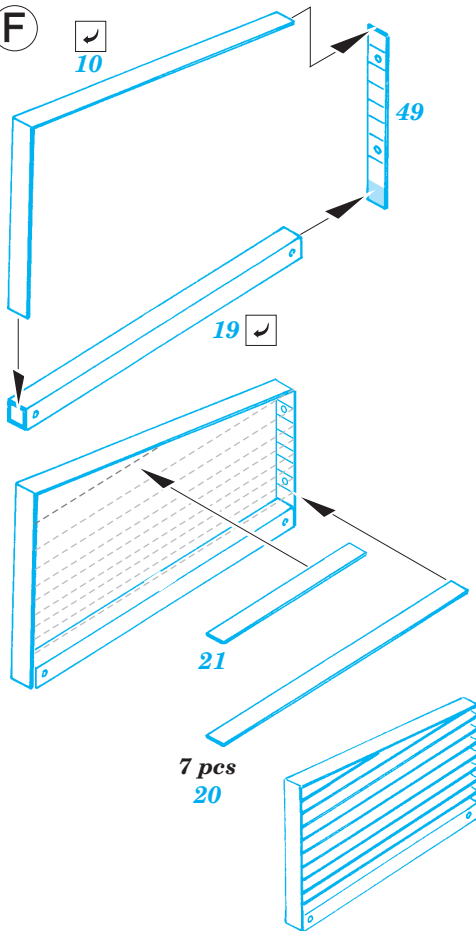
D 2 sets



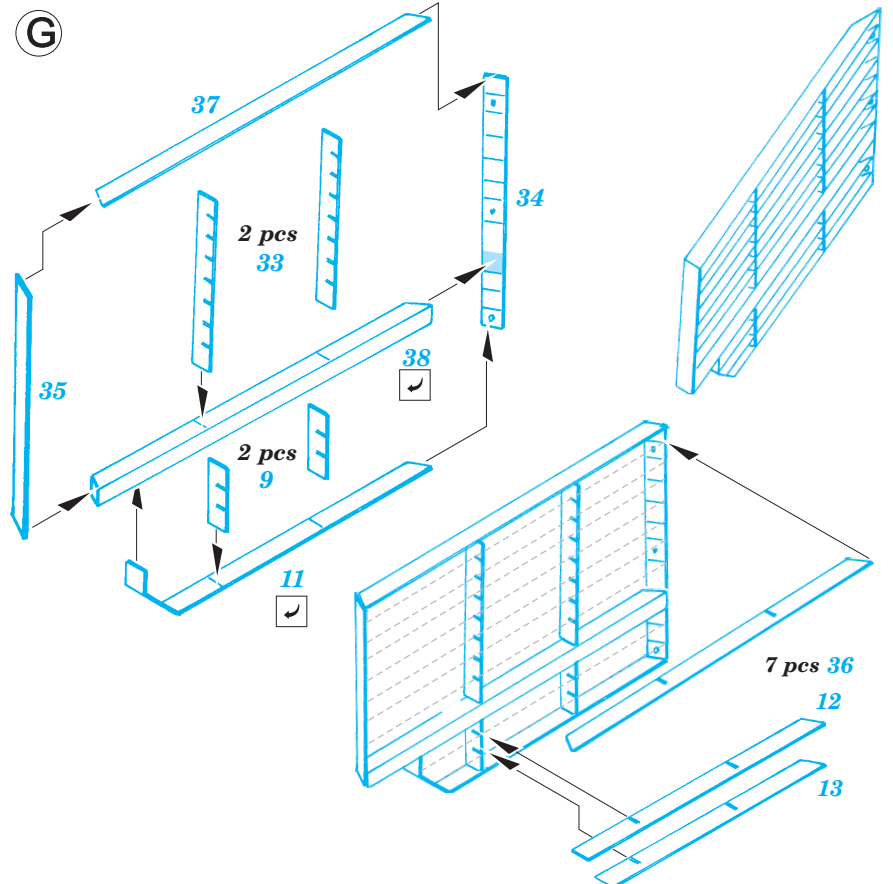
E

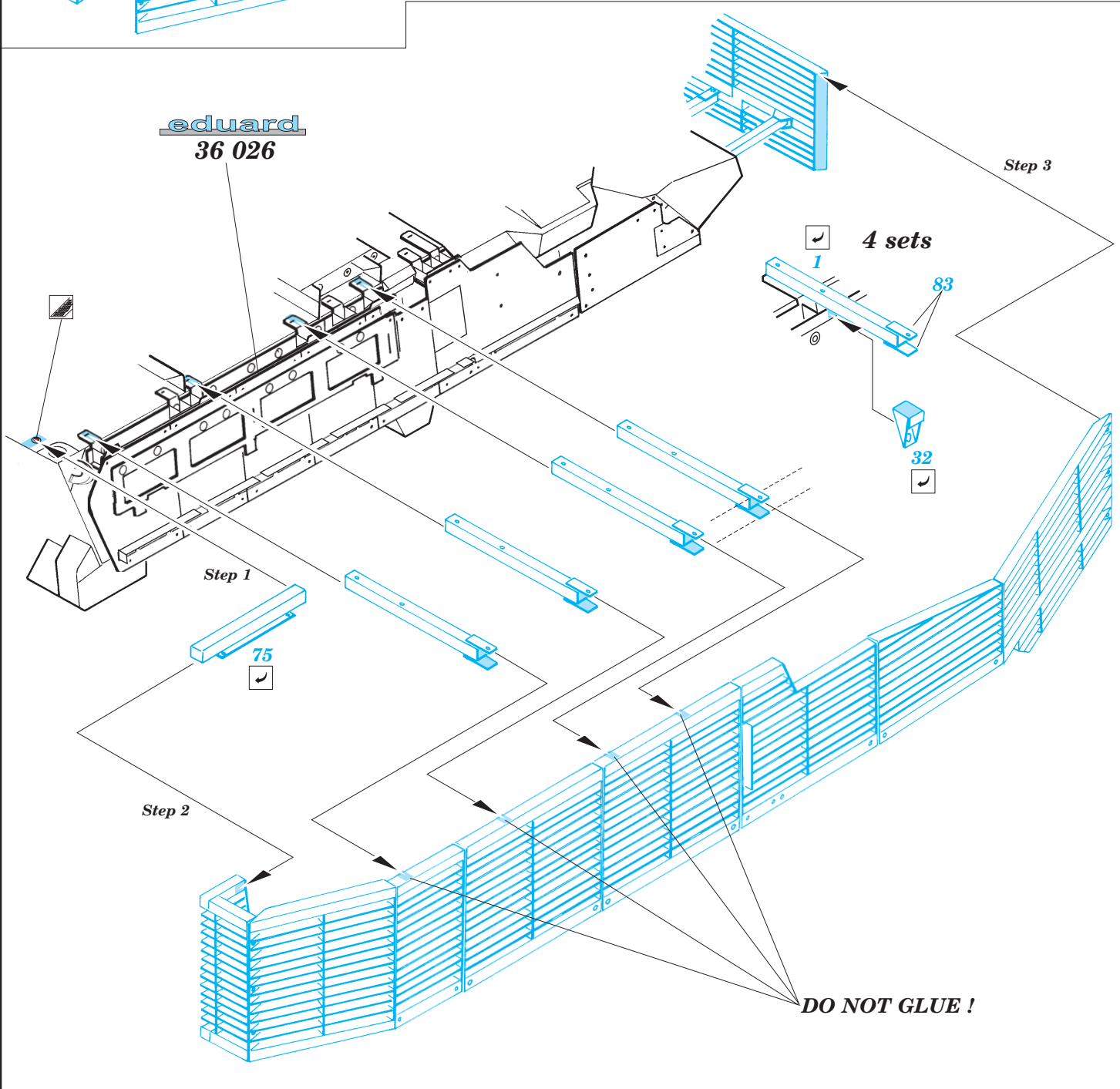
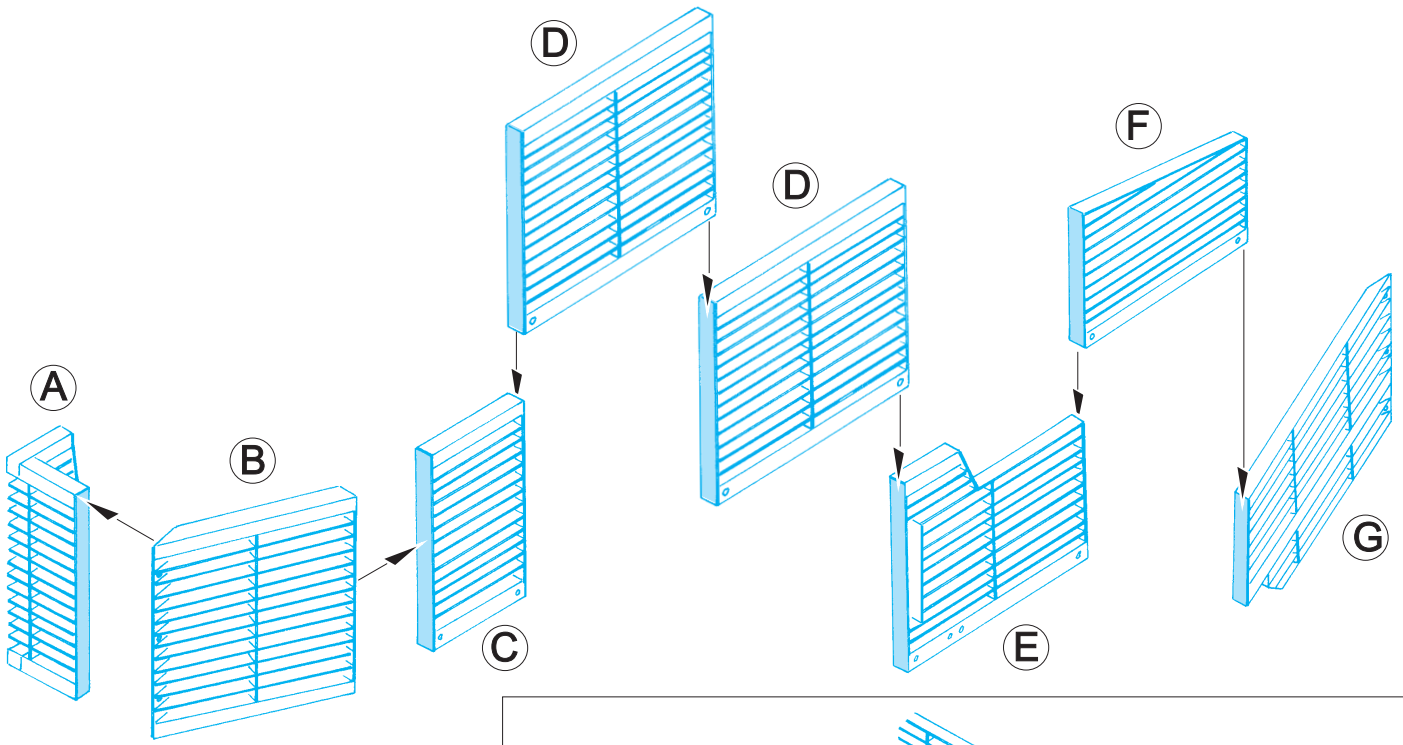


F

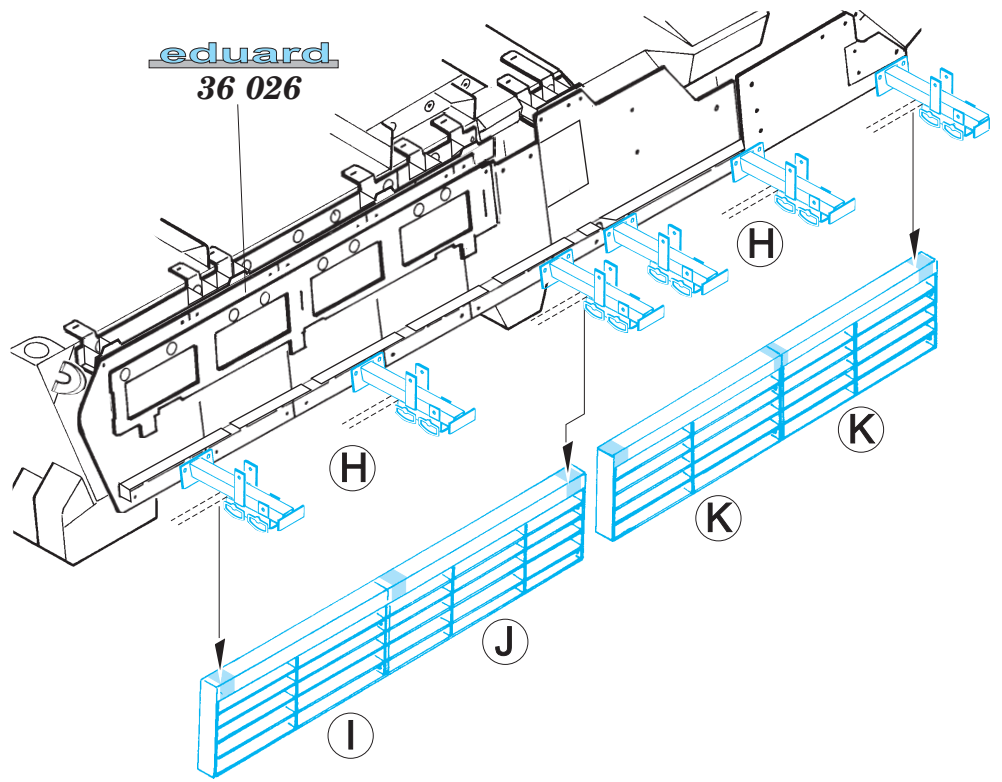
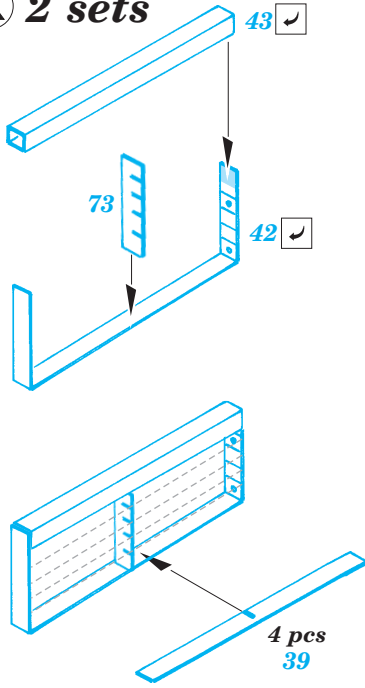


G

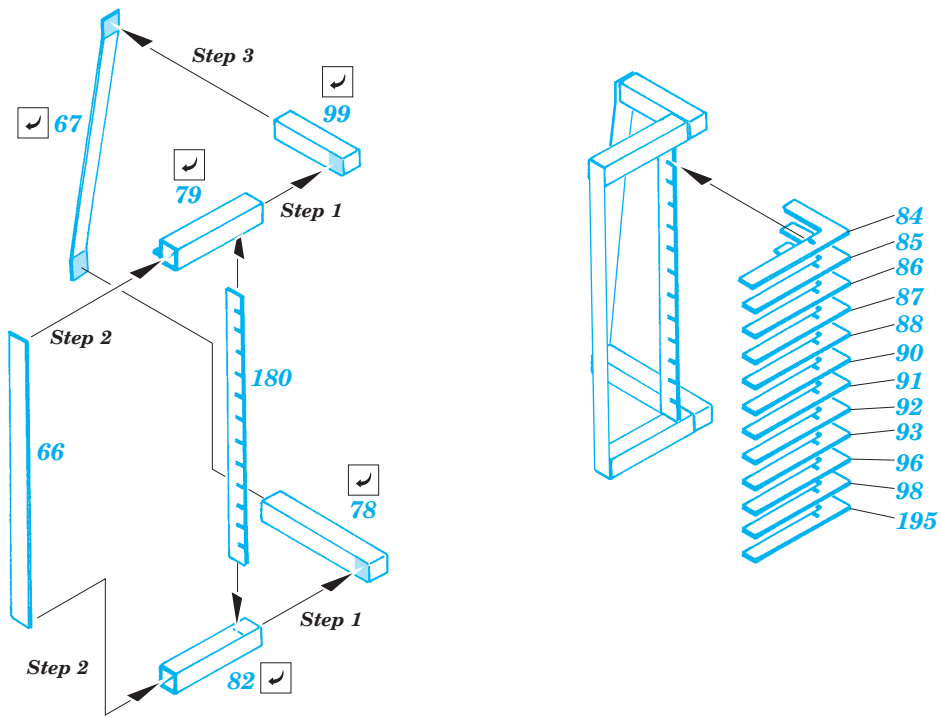




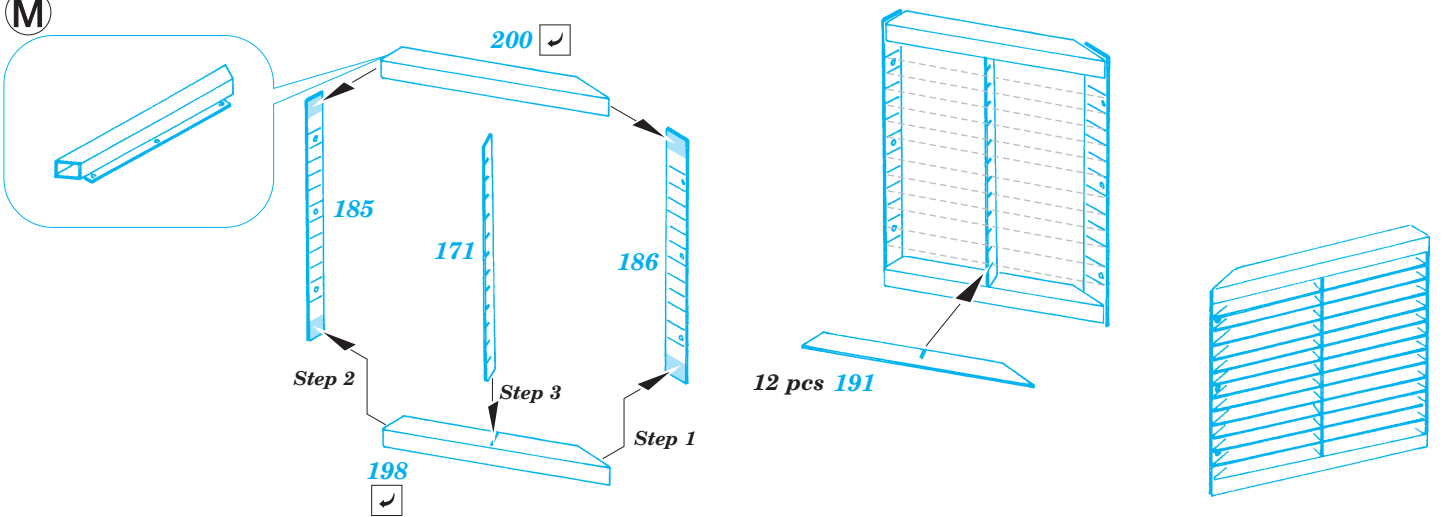
K 2 sets

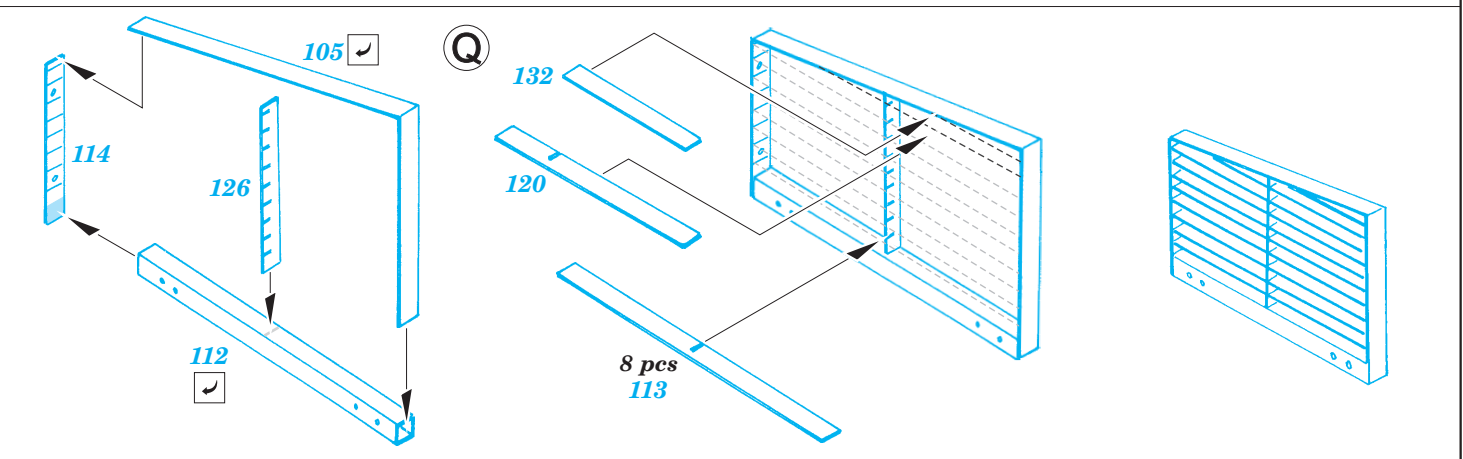
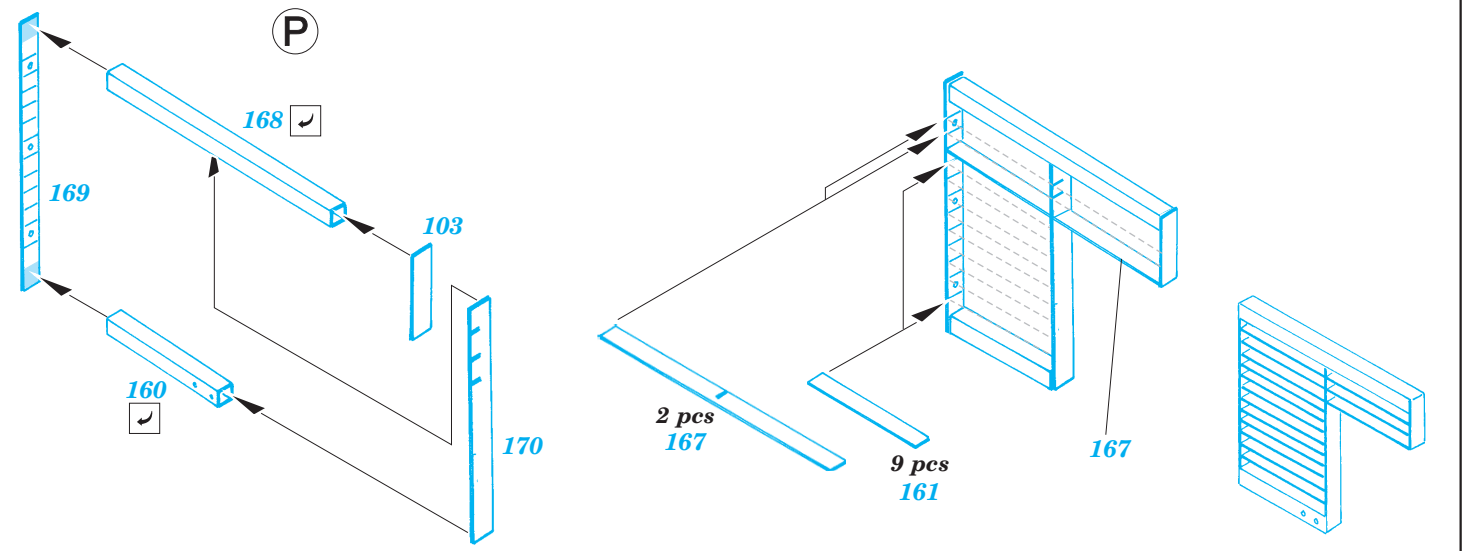
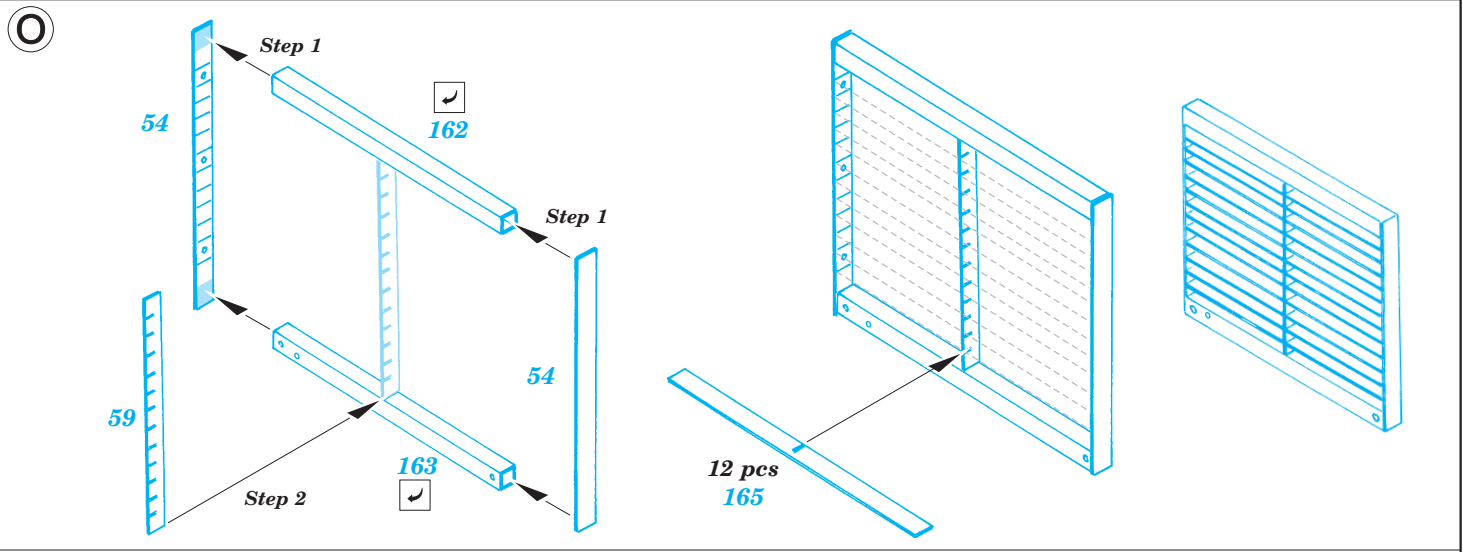
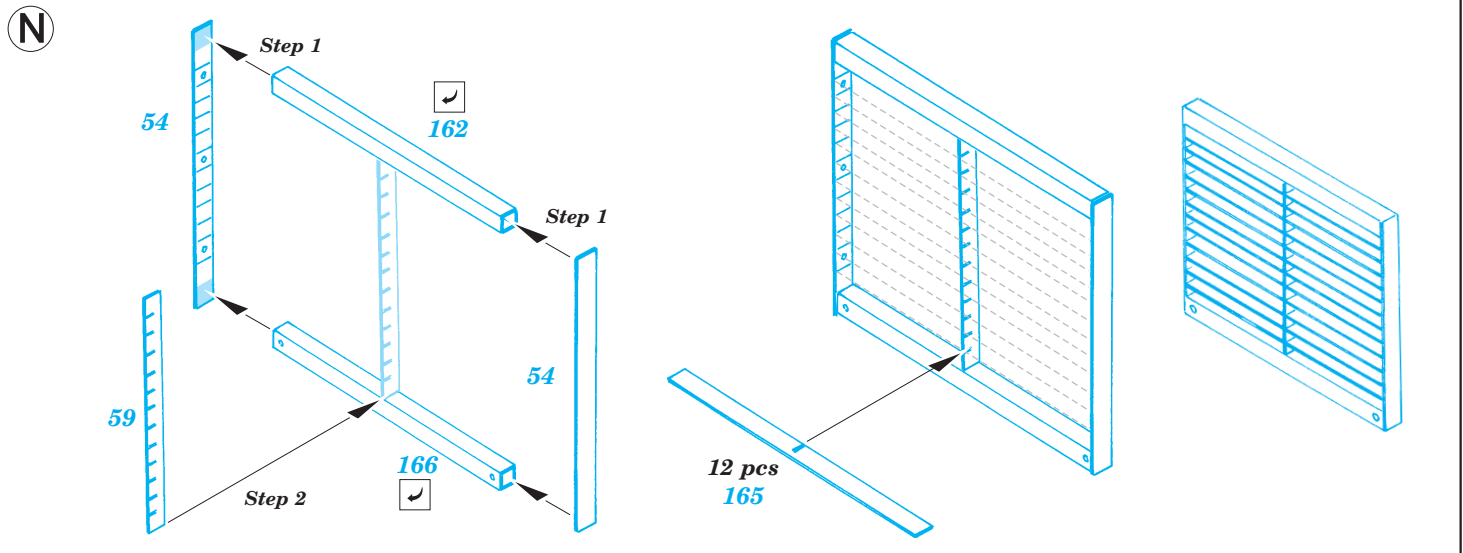


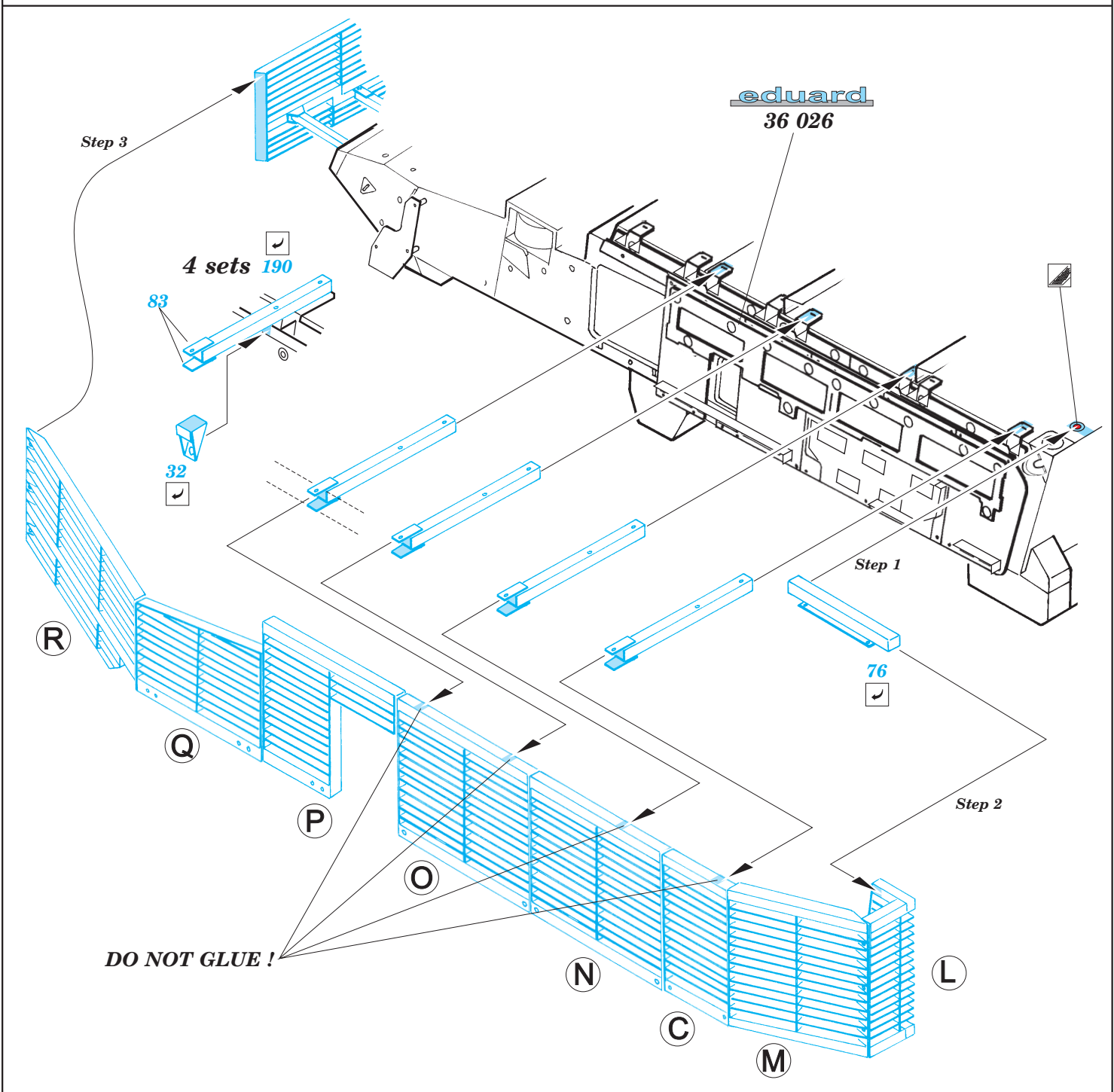
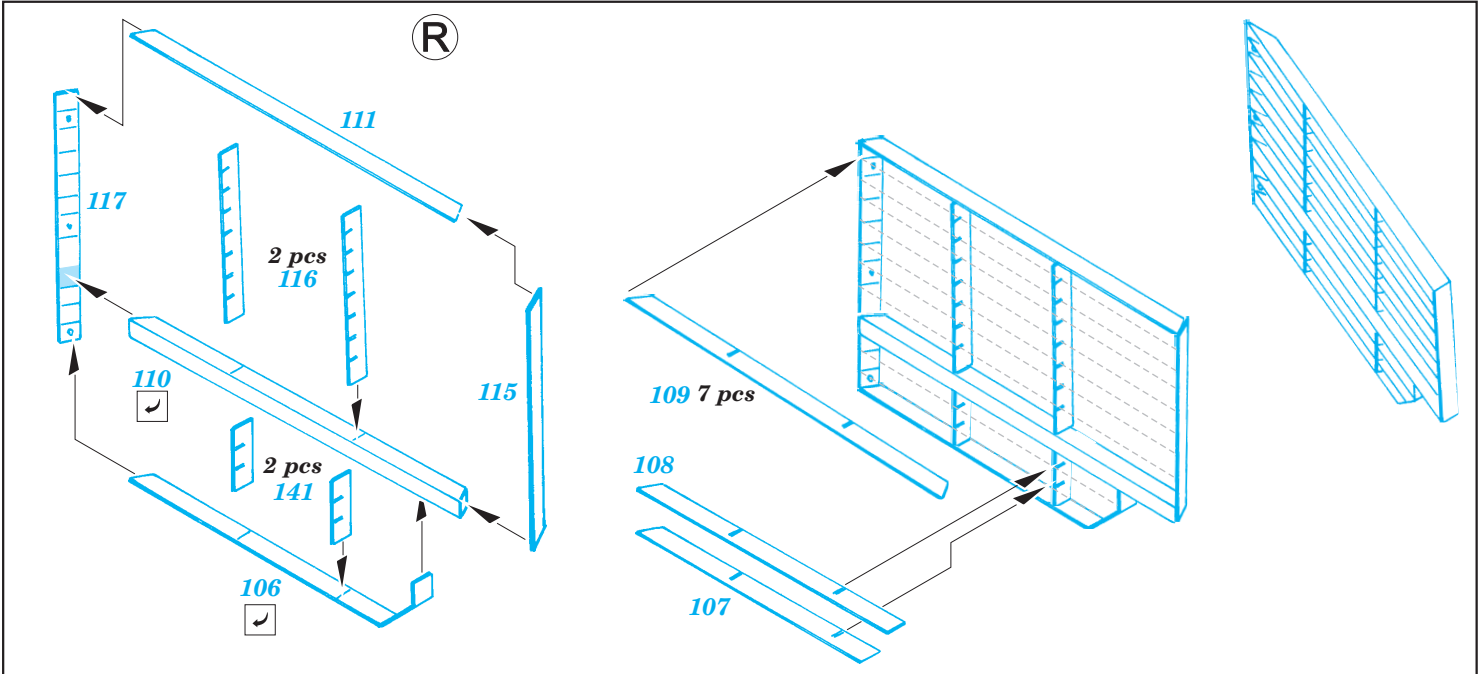
L

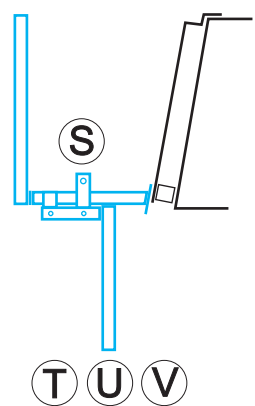
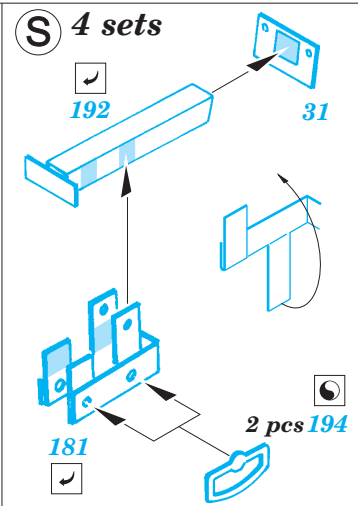
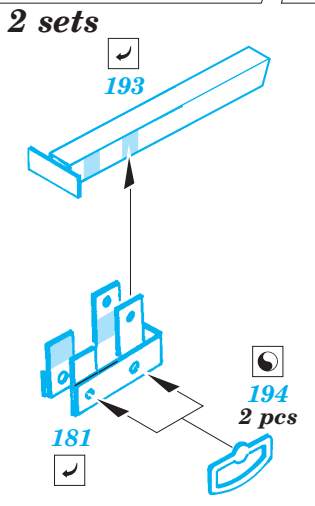
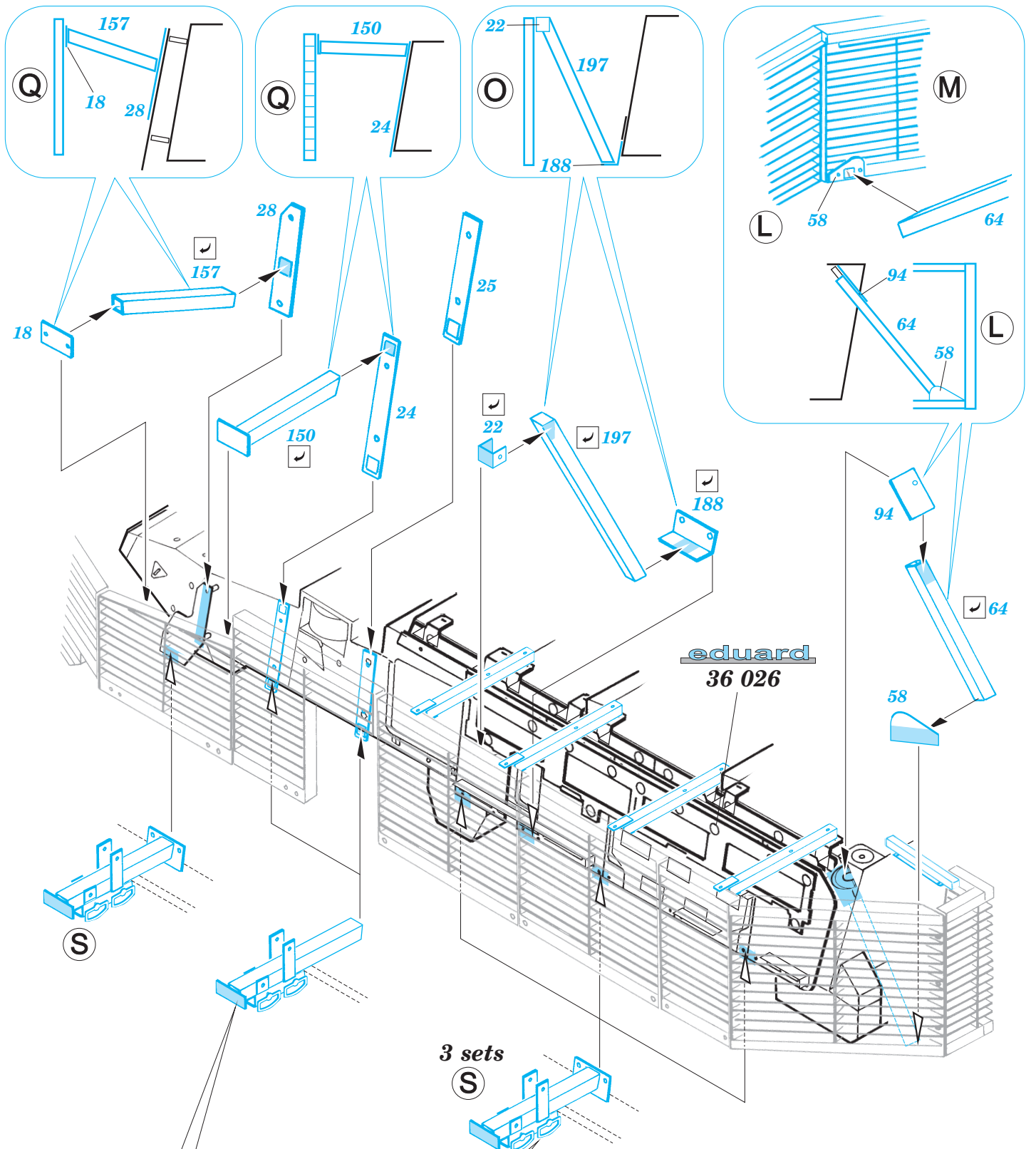


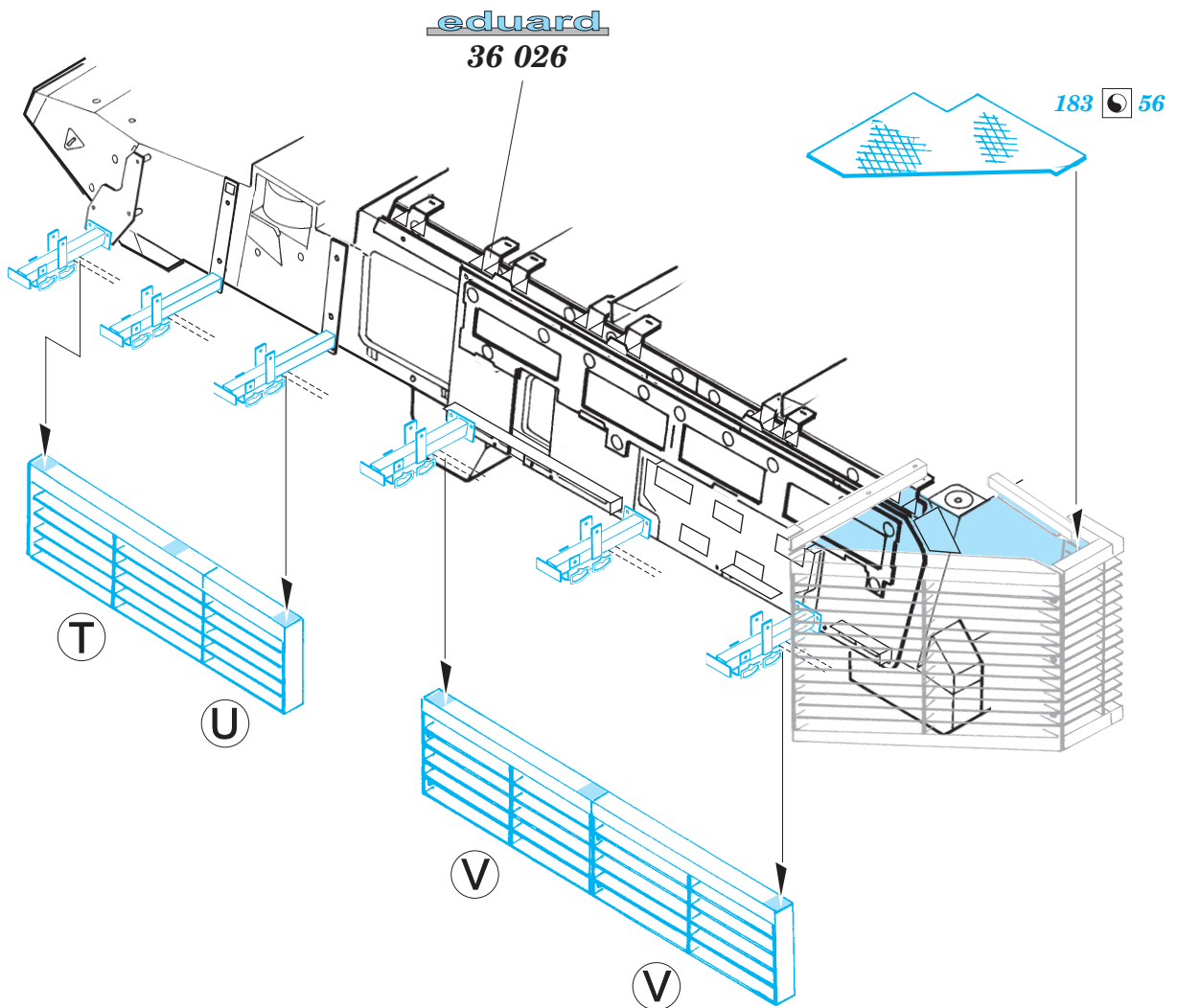
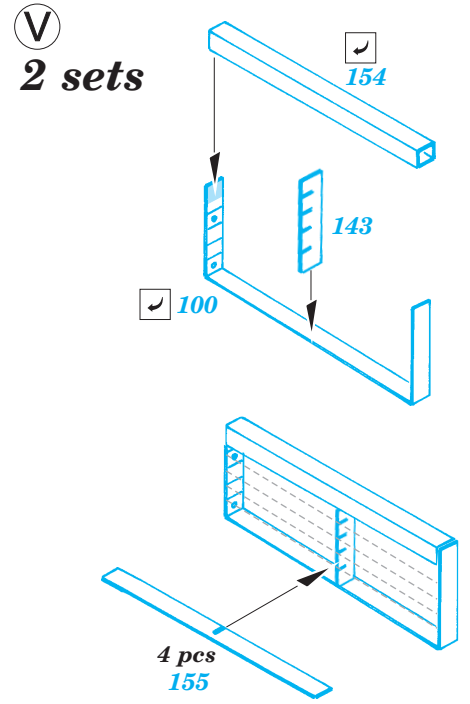
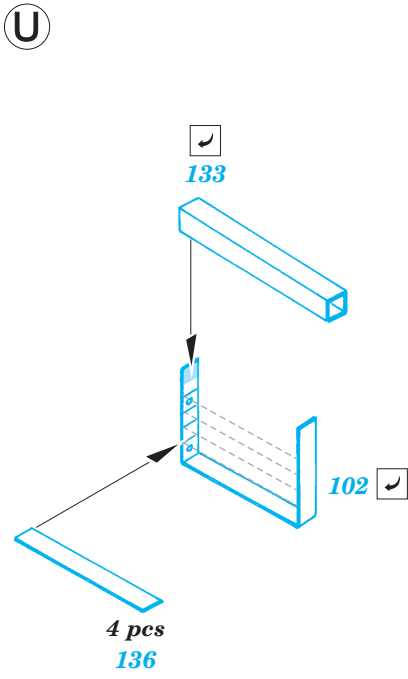
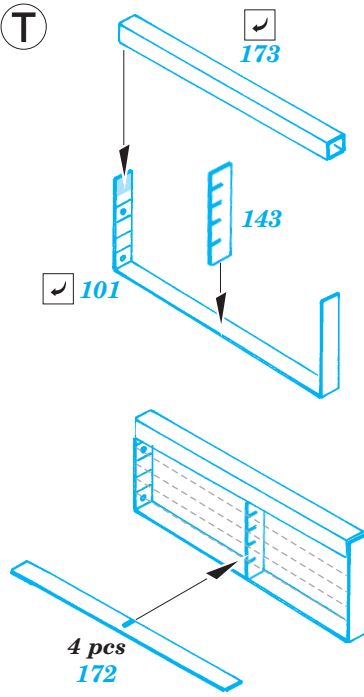
M

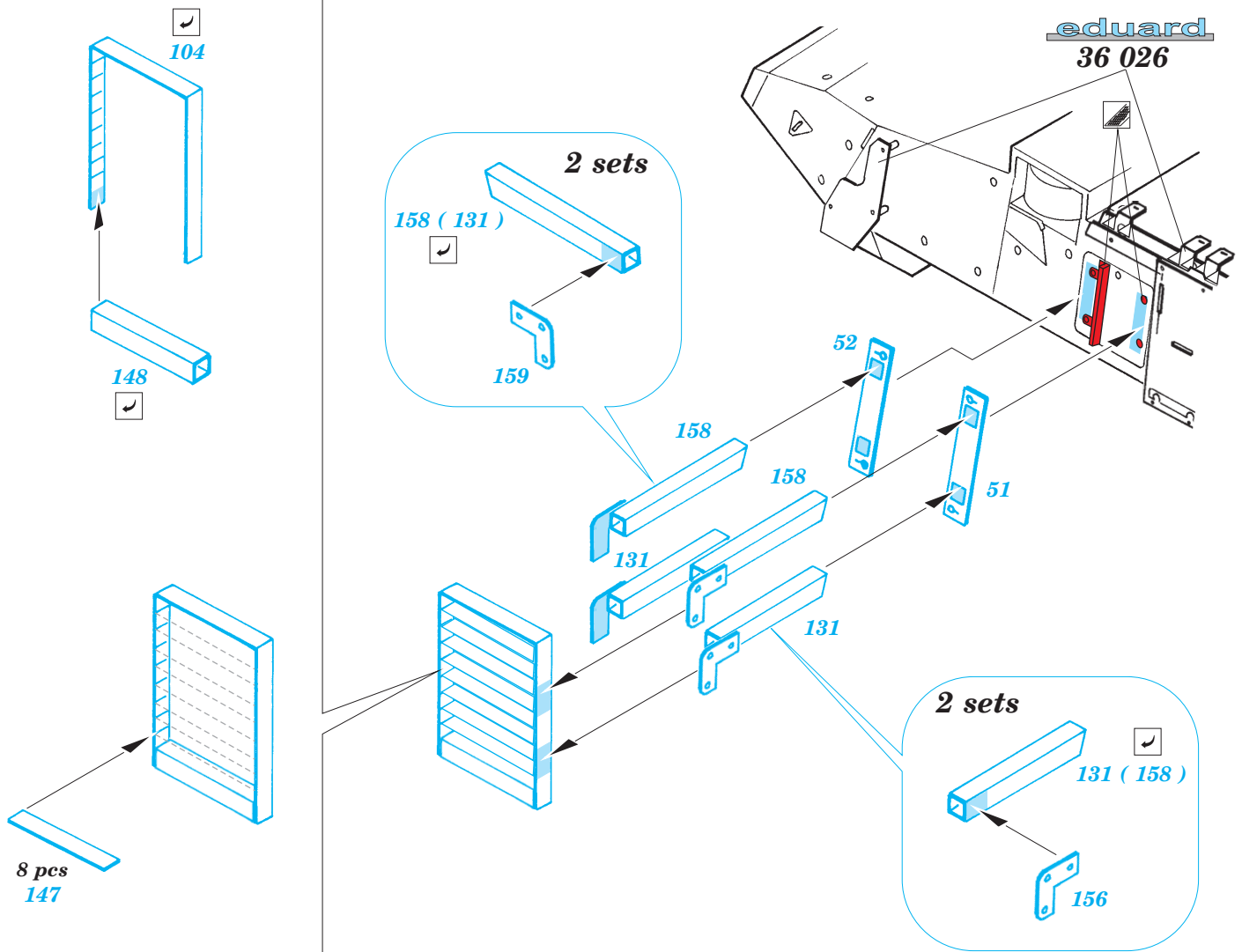






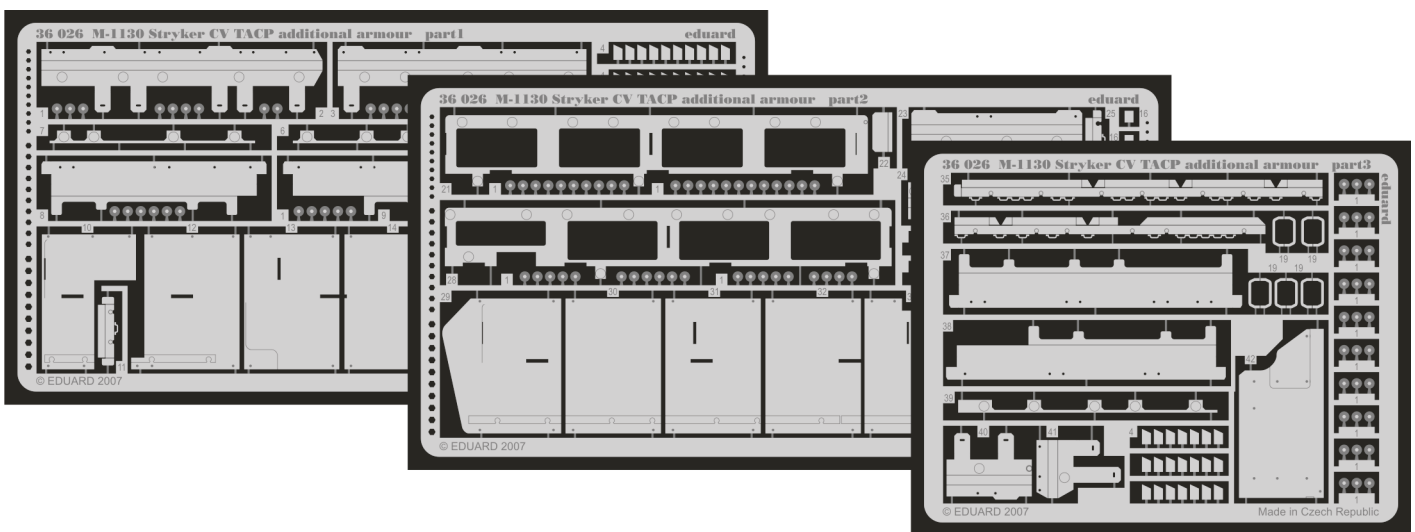






References: <http://www.primeportal.net/apc/stryker.htm>

This set must be used on base eduard 36 026 M-1130 Stryker CV TACP additional armour (not included in this set)



For futher detail sets look for eduard 36 001 Stryker storage belts, 36 018 M-1130 Stryker CV TACP, 36 023 M-1130 Stryker CV TACP Mounted rack and belts, 36 026 M-1130 Stryker CV TACP additional armour and TP 087 Stryker exhaust deflector (not included in this set)