

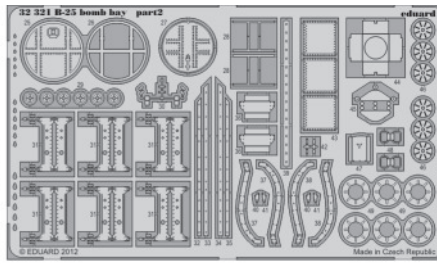
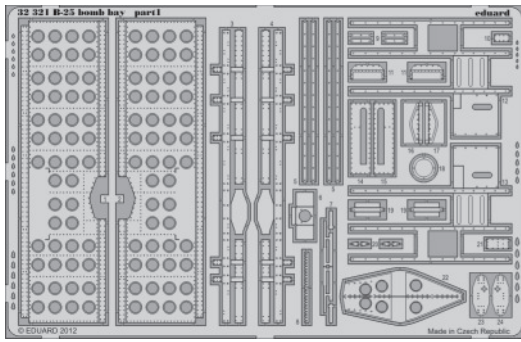


B-25 bomb bay

eduard

32 321

1/32 scale detail set for HK Models kit • sada detailů pro model 1/32 HK Models



- ★ APPLY EXPRESS MASK AND PAINT BEFORE GLUING
POUŽIT EXPRESS MASK NABARVIT PŘED SLEPENÍM
- ☯ SYMMETRICAL ASSEMBLY
SYMETRICKÁ MONTÁŽ
- REMOVE
ODSTRANIT
- ▨ GRIND
OBROUSIT
- ⊘ DRILL HOLE
VRTAT OTVOR
- ↪ BEND
OHNOUT
- ⊕ OPTION
VOLBA
- Ⓜ REPLACE
NAHRADIT

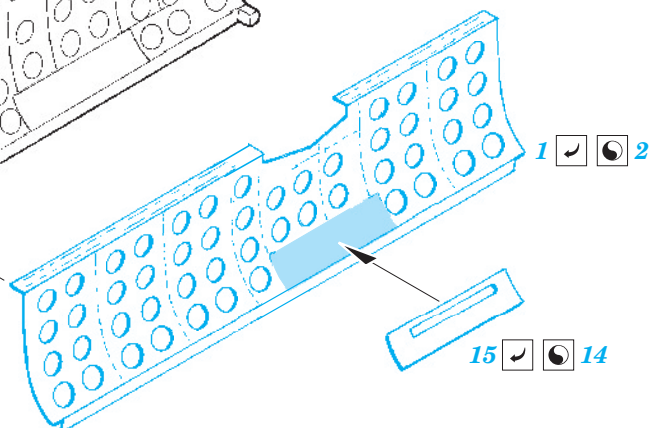
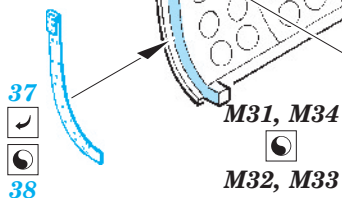
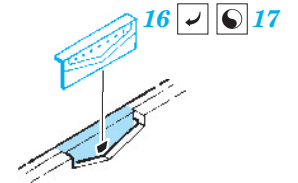
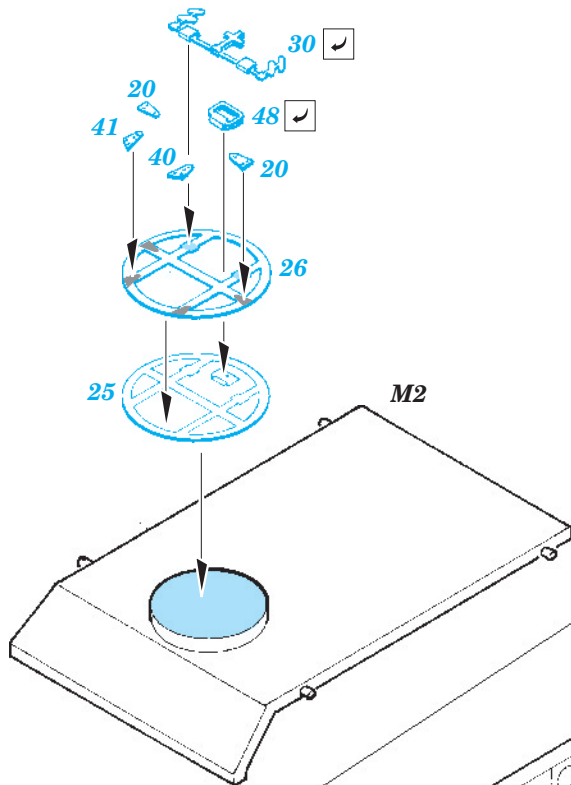
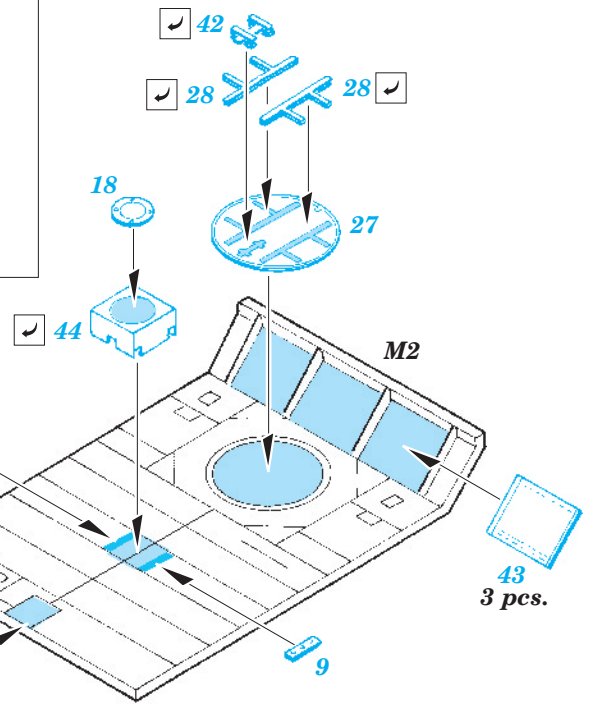
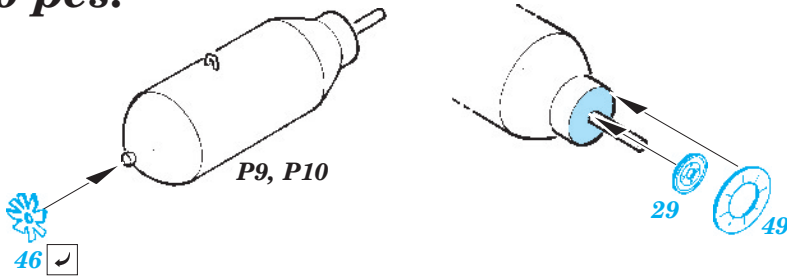
ORIGINAL KIT PARTS
PŮVODNÍ DÍLY STAVEBNICE

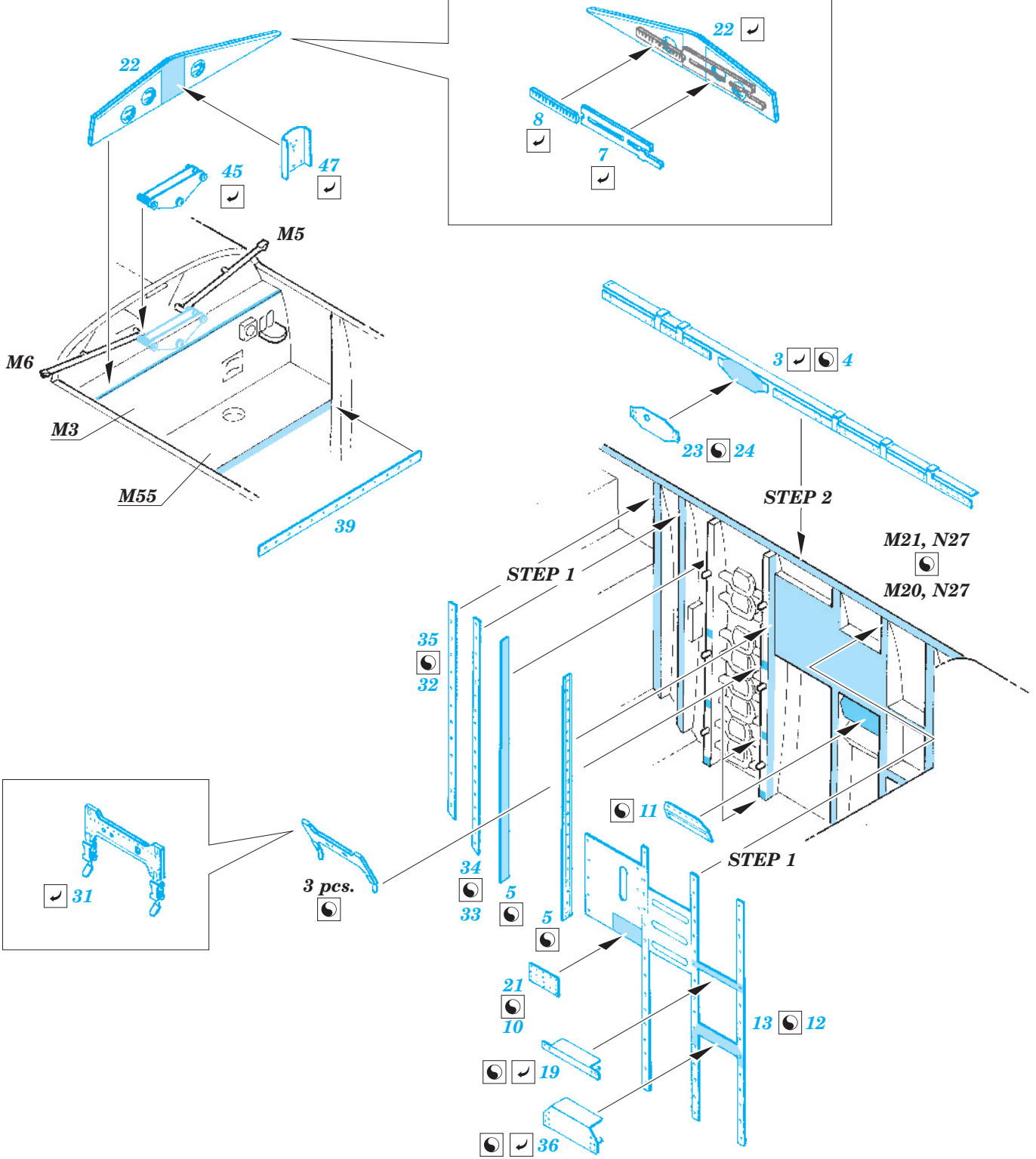
PHOTO-ETCHED PARTS
LEPTANÉ DÍLY

PARTS TO BE REMOVED
DÍLY K ODSTRANĚNÍ

FILL
TMELIT

6 pcs.





*For further detail sets look for **eduard** 32 746 B-25J seatbelts
(not included in this set)*

*For further detail sets look for **eduard** 32 747 B-25J bomber front interior S.A.
(not included in this set)*

*For further detail sets look for **eduard** 32 748 B-25J bomber cockpit interior S.A.
(not included in this set)*

*For further detail sets look for **eduard** 32 319 B-25J exterior
(not included in this set)*