

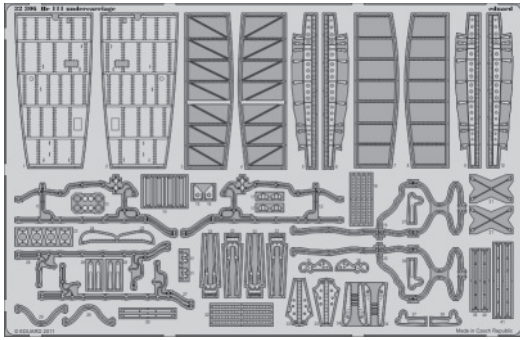


He 111 undercarriage

eduard

32 306

1/32 scale detail set for Revell kit • sada detailů pro model 1/32 Revell



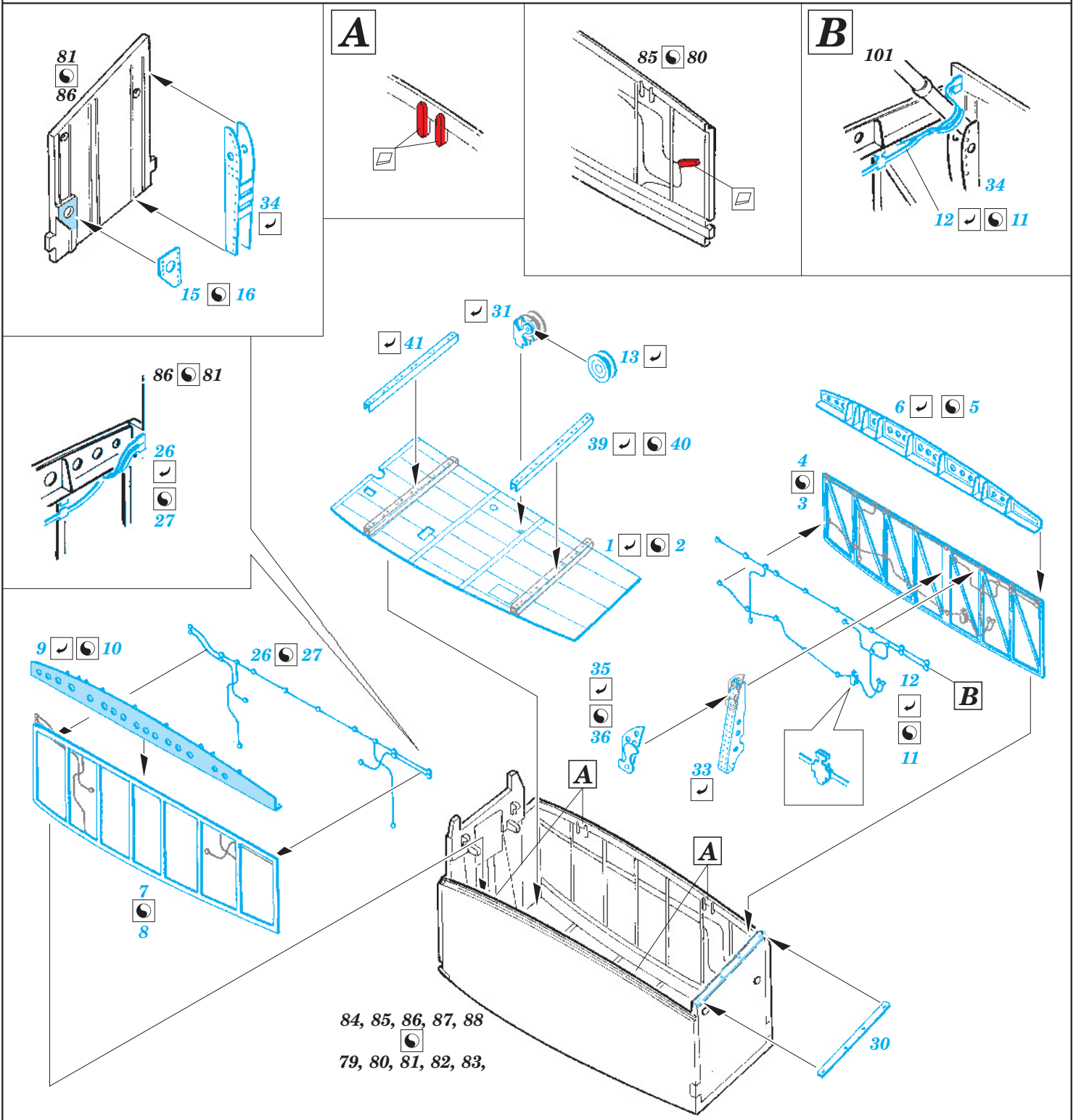
- APPLY EXPRESS MASK AND PAINT BEFORE GLUING
POUŽÍŤ EXPRESS MASK NABARVIT PŘED SLEPENÍM
- SYMMETRICAL ASSEMBLY
SYMETRICKÁ MONTÁŽ
- REMOVE
ODSTRANIT
- GRIND
OBROUSIT
- DRILL HOLE
VRTAT OTVOR
- BEND
OHNOUT
- OPTION
VOLBA
- REPLACE
NAHRADIT

ORIGINAL KIT PARTS
PŮVODNÍ DÍLY STAVEBNICE

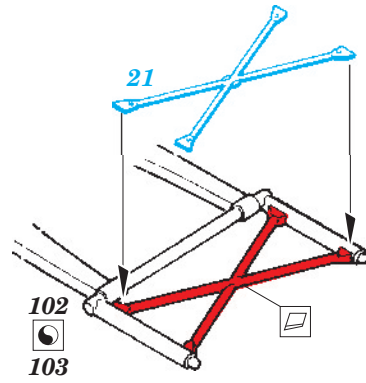
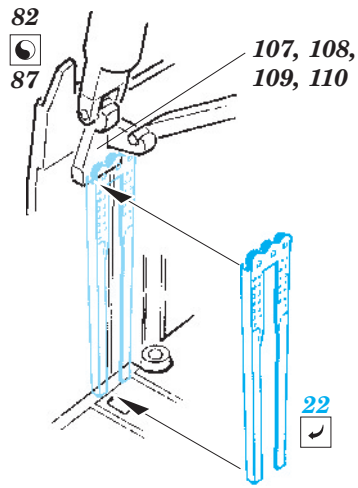
PHOTO-ETCHED PARTS
LEPTANÉ DÍLY

PARTS TO BE REMOVED
DÍLY K ODSTRANĚNÍ

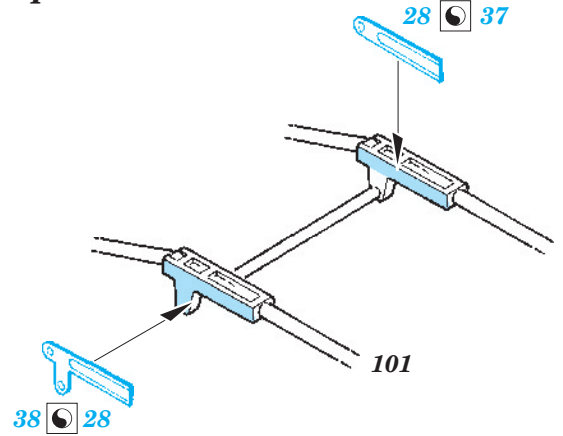
FILL
TMELIT



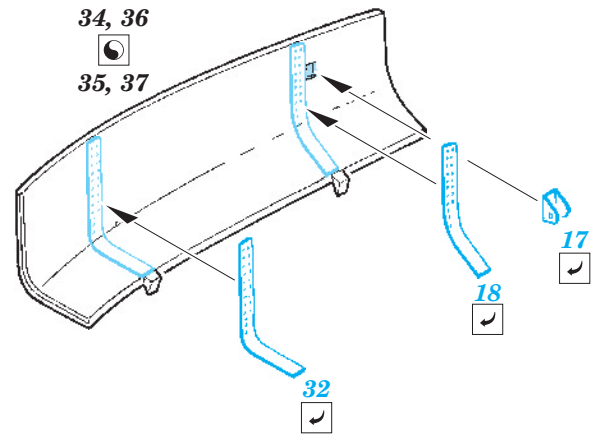
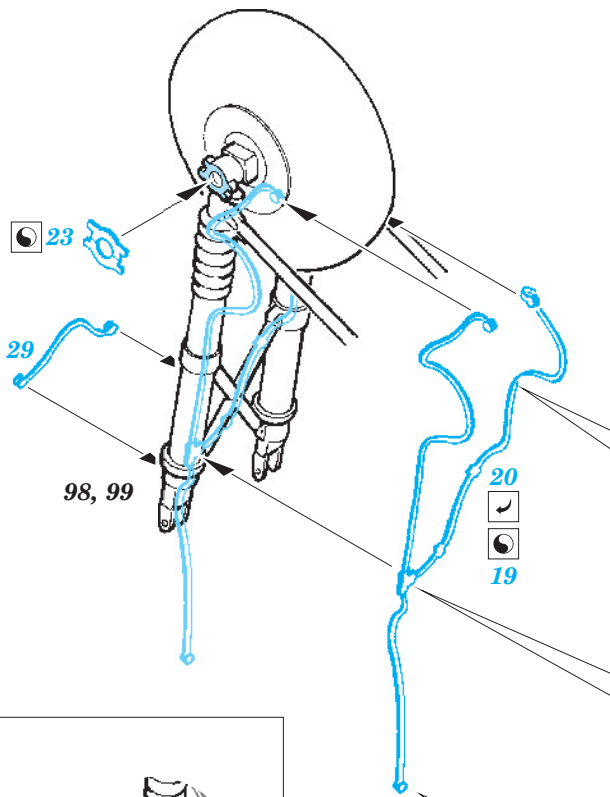
84, 85, 86, 87, 88
79, 80, 81, 82, 83,



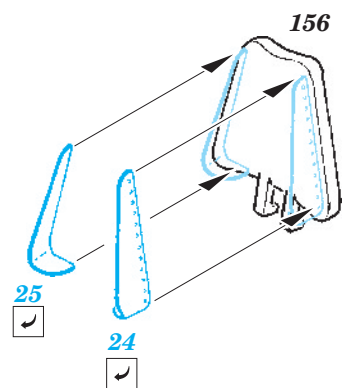
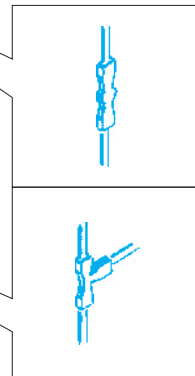
2 pcs.



2 pcs.



2 pcs.



*For further detail sets look for **eduard** 32 708 He 111P-1 seatbelts (not included in this set)*

*For further detail sets look for **eduard** 32 293 He 111 bomb bay (not included in this set)*

*For further detail sets look for **eduard** 32 709 He 111P-1 interior (not included in this set)*

*For further detail sets look for **eduard** 32 289 He 111P-1 exterior (not included in this set)*