

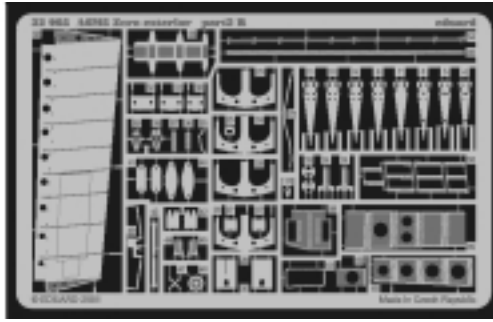
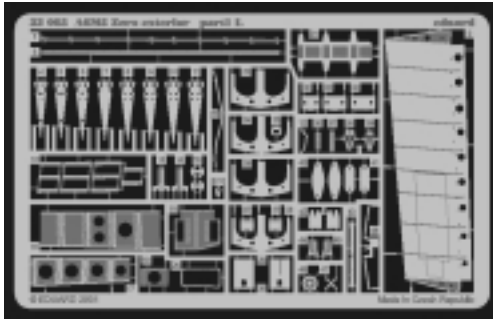








A6M5 Zero exterior

eduard

32 065

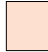
1/32 scale detail set for Tamiya kit • sada detailů pro model Tamiya 1/32



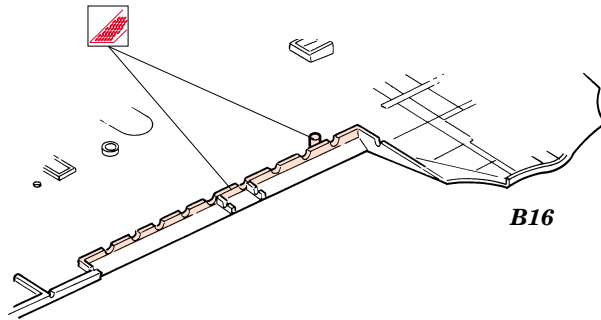
-  SYMMETRICAL ASSEMBLY
SYMETRICKÁ MONTÁ
-  REMOVE
ODSTRANIT
-  BEND
OHNOUT
-  REPLACE
NAHRADIT
-  GRIND
OBROUSIT
-  OPTION
VOLBA

 ORIGINAL KIT PARTS
PŮVODNÍ DÍLY STAVEBNICE

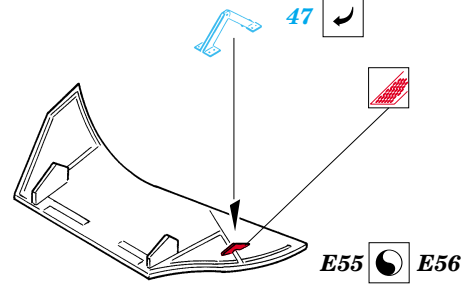
 PHOTO-ETCHED PARTS
LEPTANÉ DÍLY

 PARTS TO BE REMOVED
DÍLY K ODSTRANĚNÍ

 FILL
TMELIT

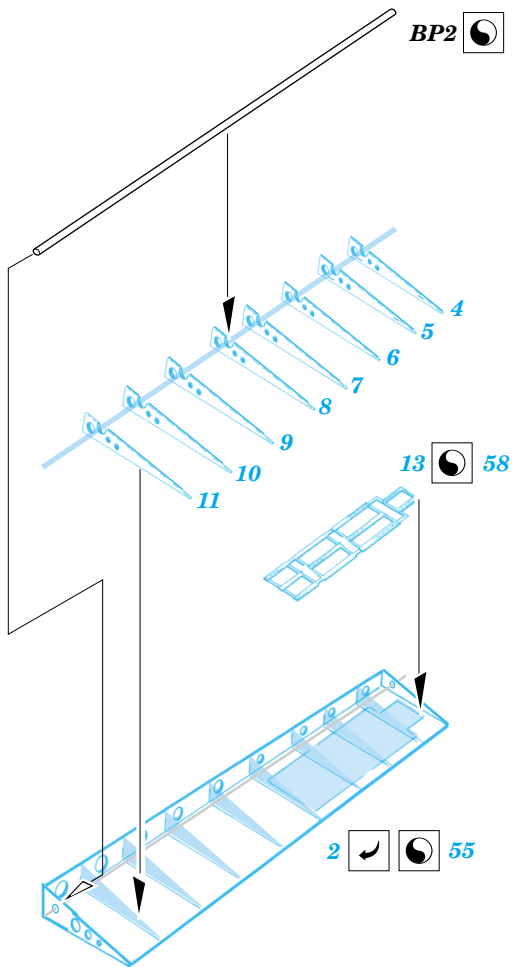


B16




E55  E56

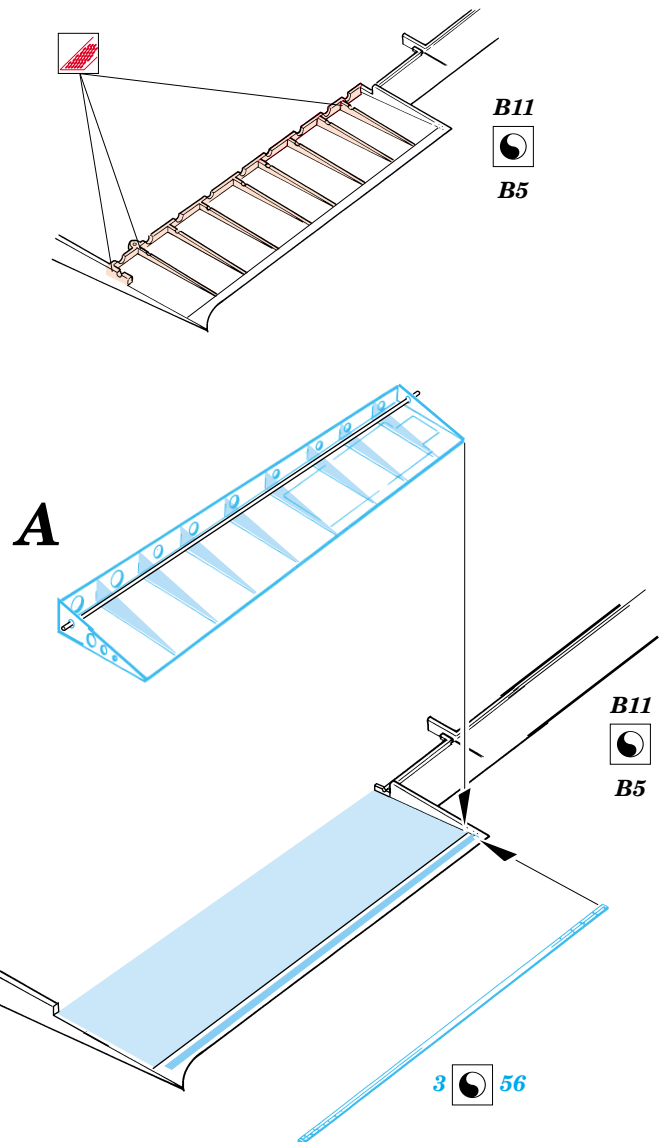
A



BP2 

2   55

13  58



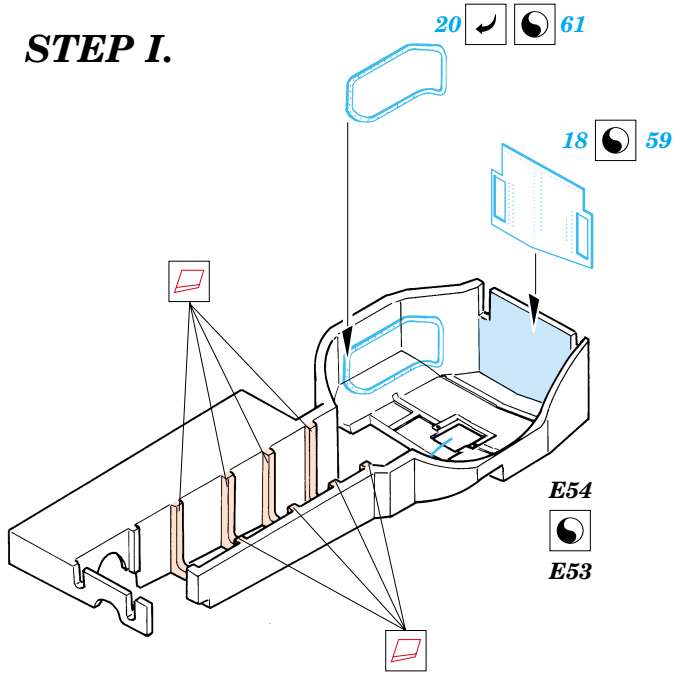
B11 
B5

B11 
B5

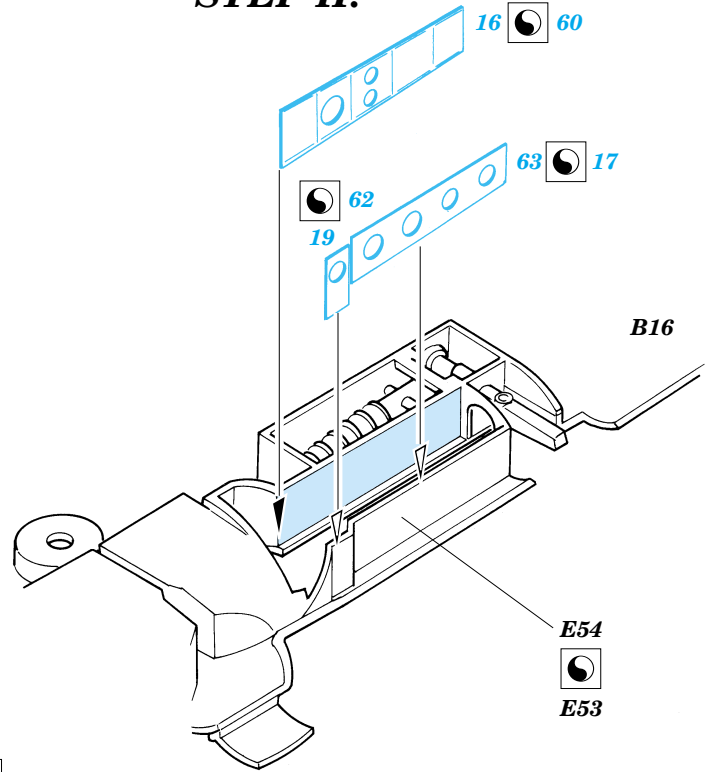
3  56

A

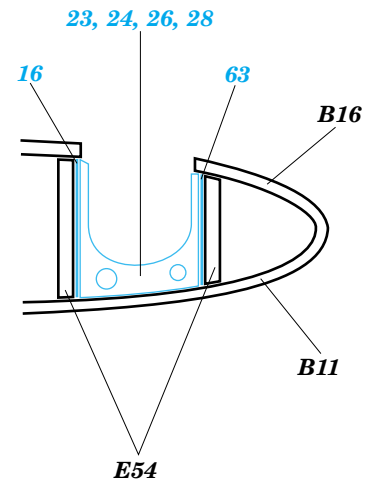
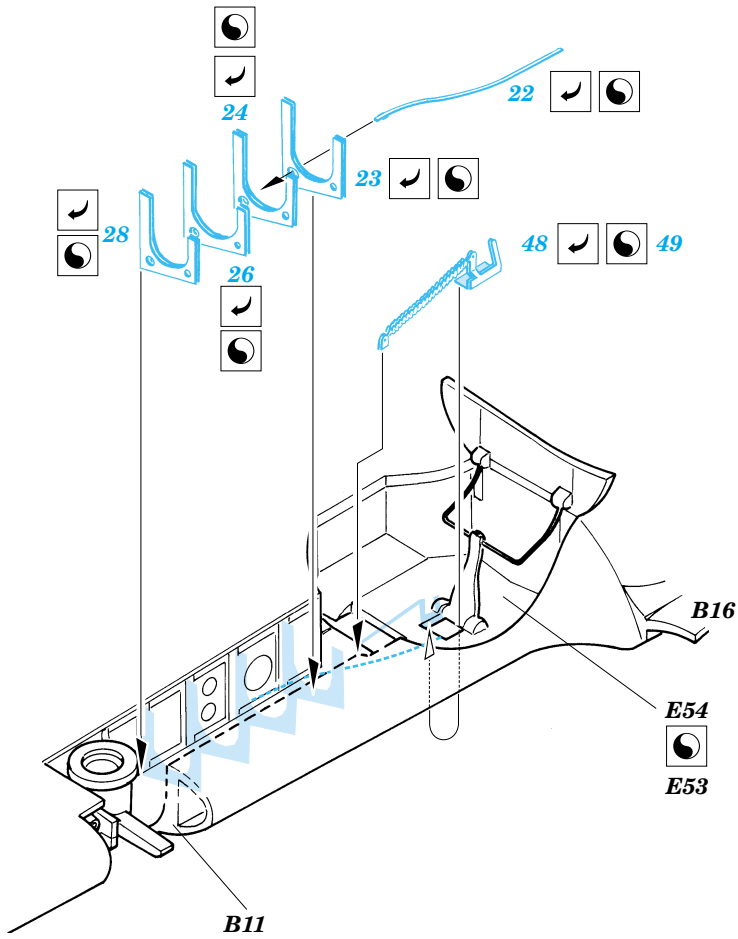
STEP I.

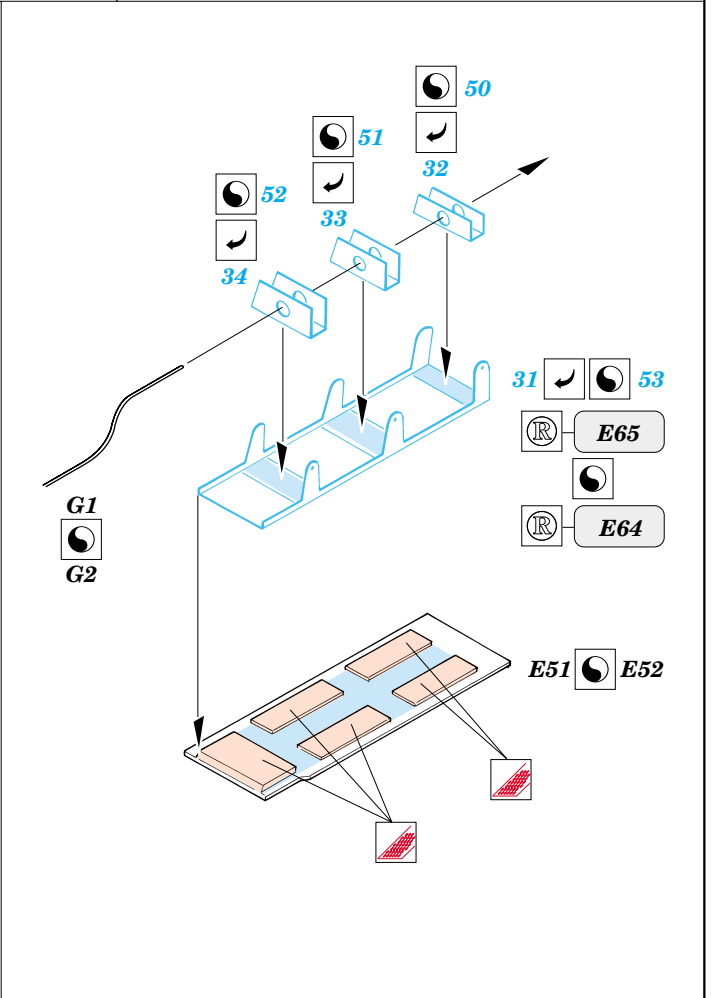
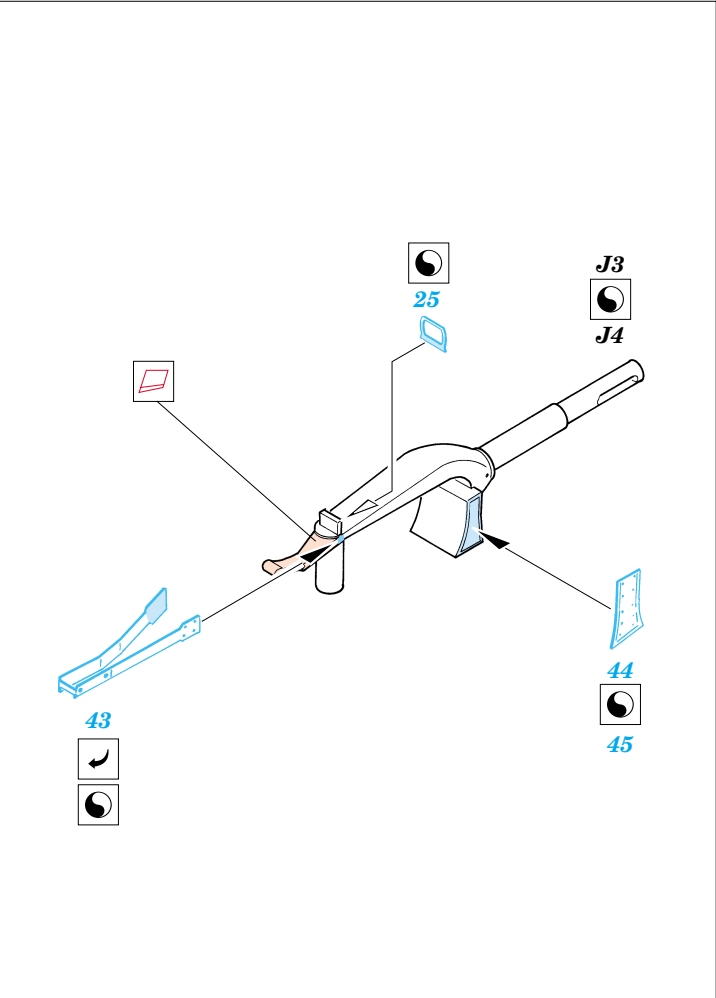
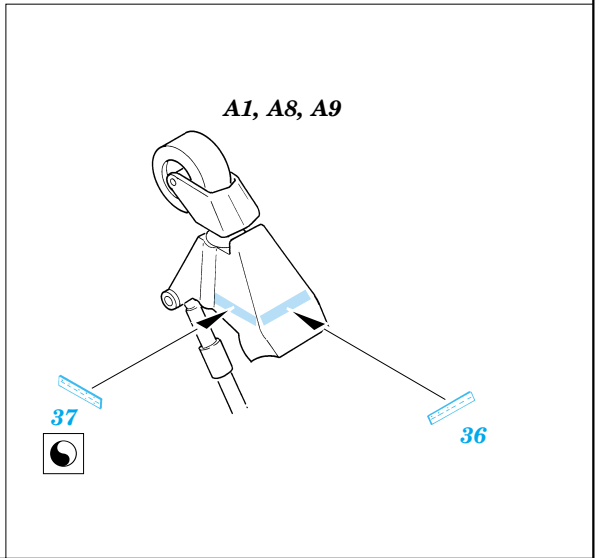
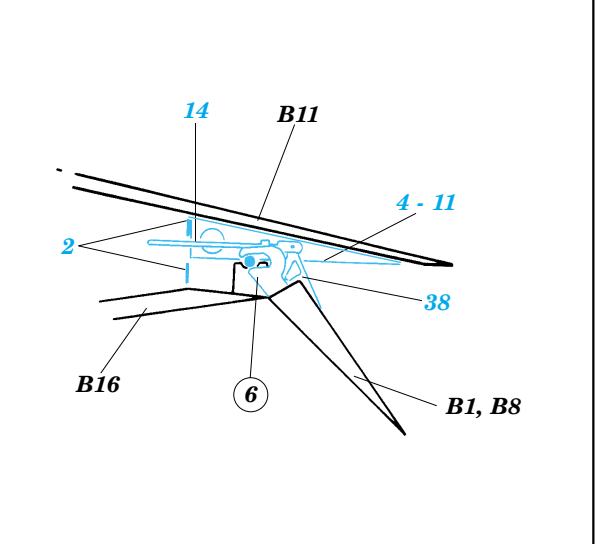
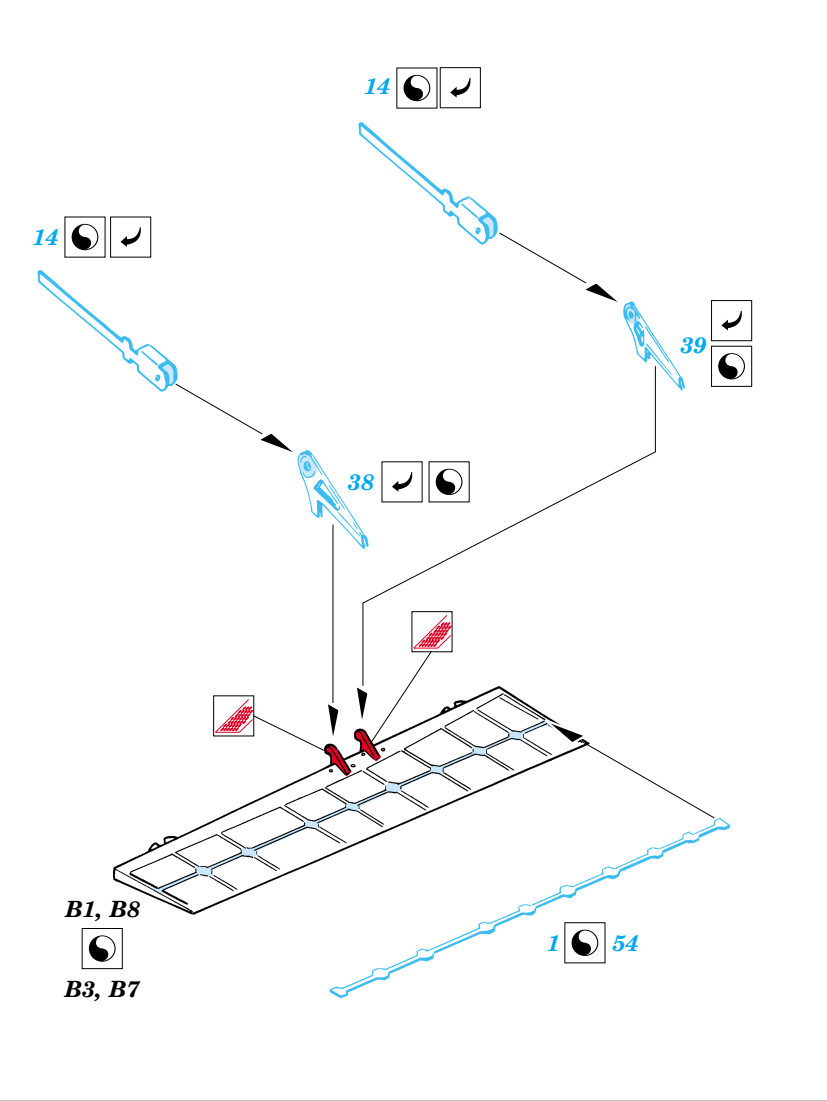


STEP II.

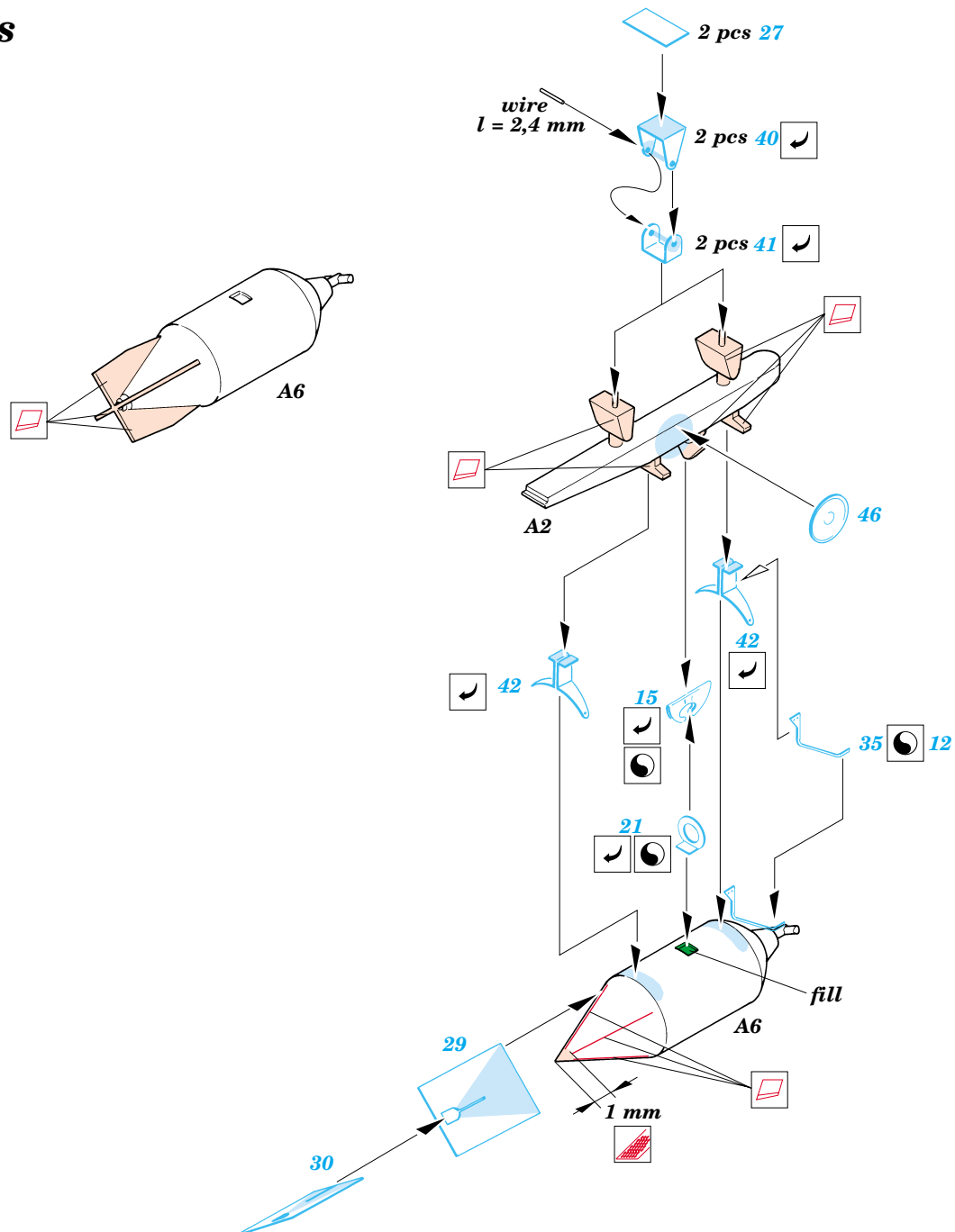


STEP III.





2 sets



REFERENCES: - THE MARU MECHANIC #1 / 1980
- AERO DETAIL #7

For further detail sets look for **eduard** 32 064 A6M5 Zero interior; 32 066 A6M5 Zero engine, Express Masks XL 024 A6M5 Zero canopy and XL 509 A6M5 Zero markings (not included in this set)

