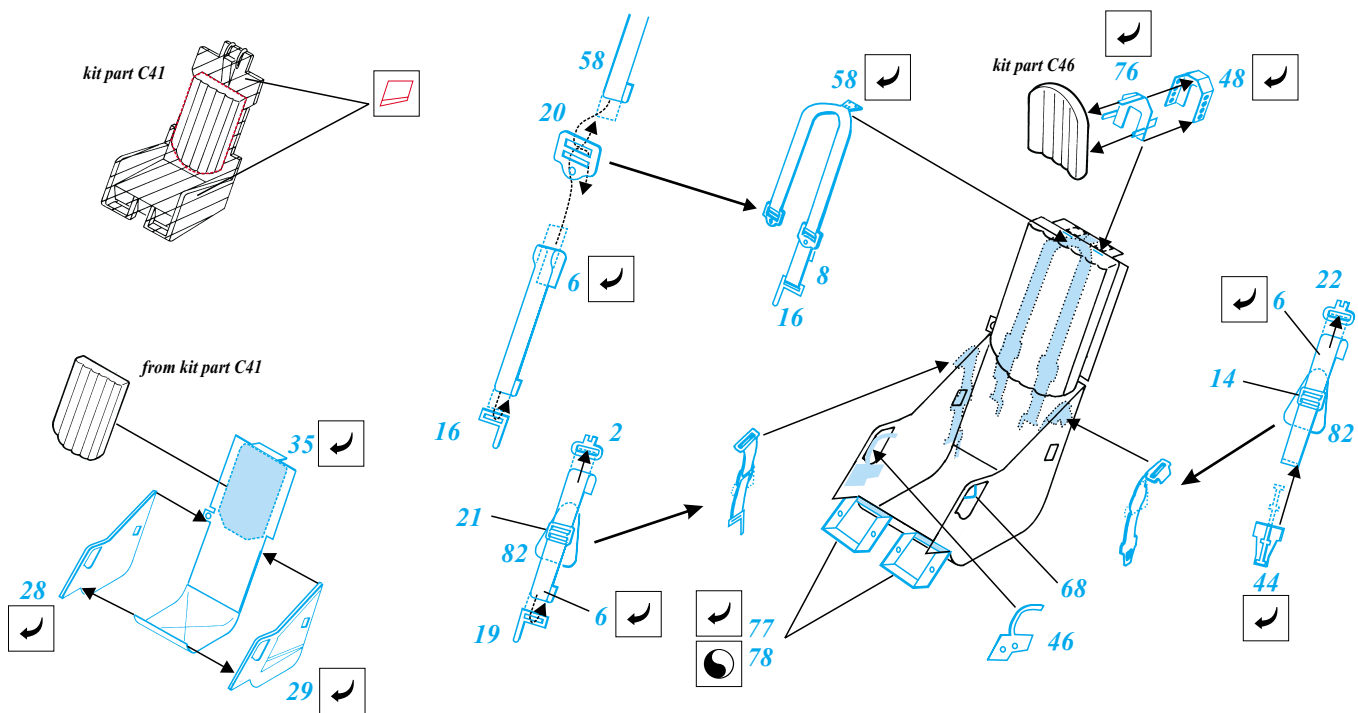
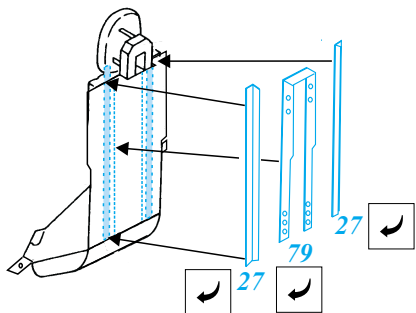


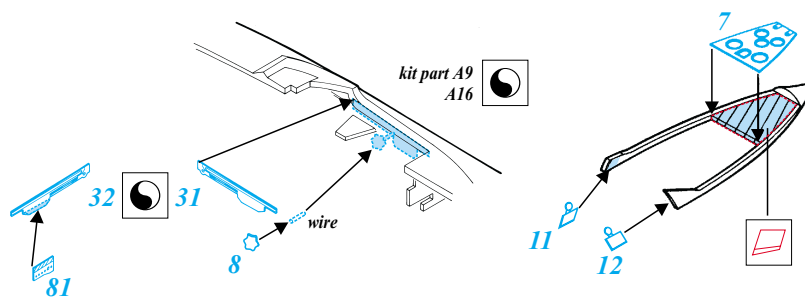
B EJECTION SEAT



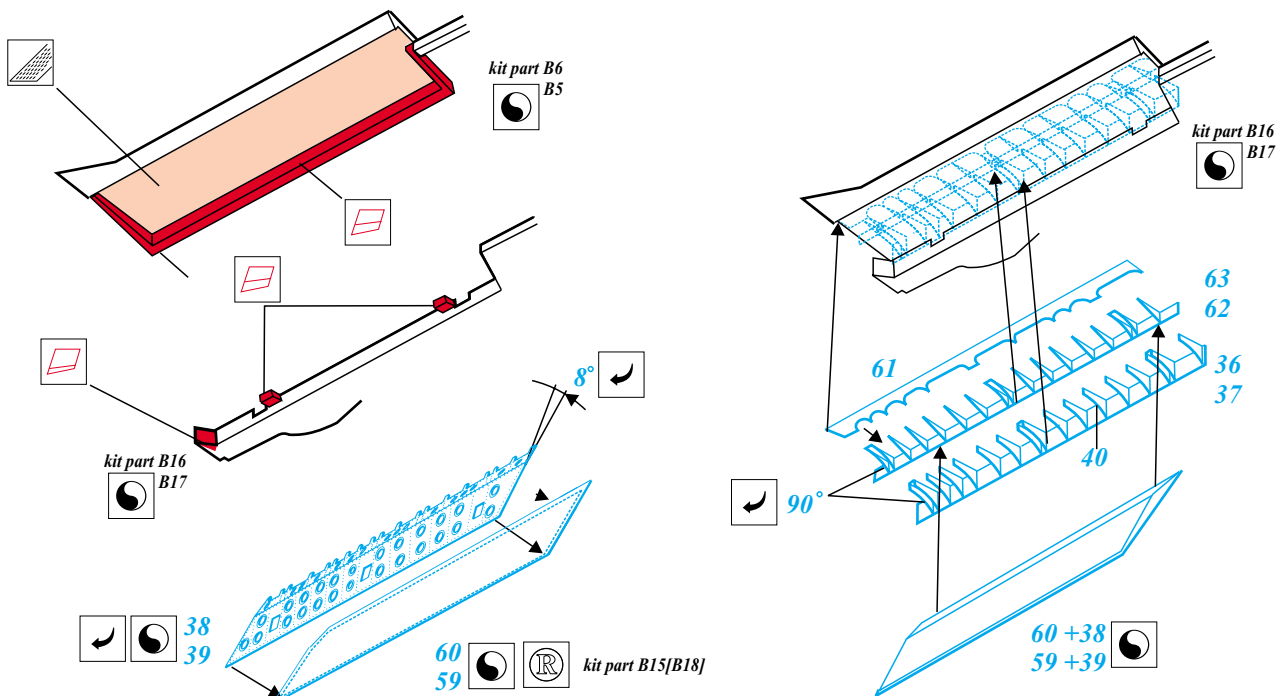
C EJECTION SEAT RAILS



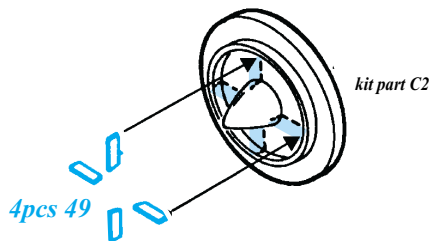
D CANOPY & CANOPY RAILS



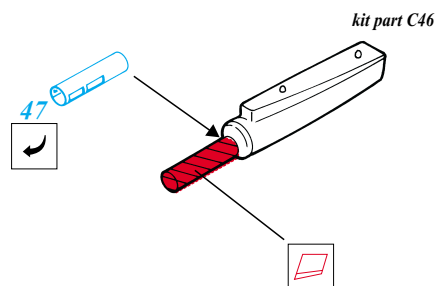
E FLAPS



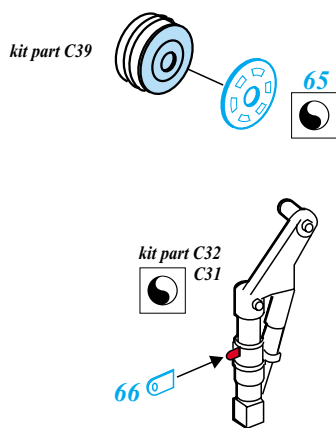
F ENGINE



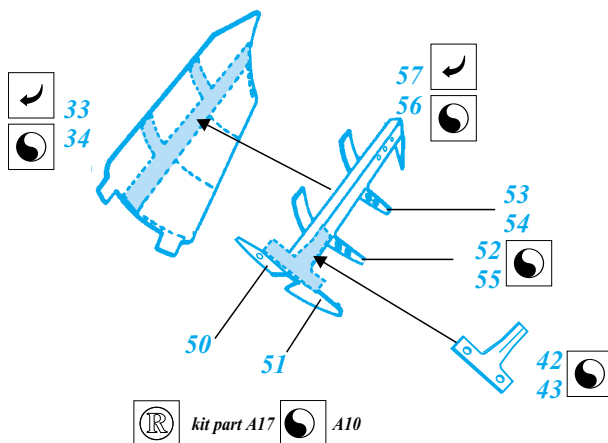
G NR 37 GUN



H UNDERCARRIAGE



I AIR BRAKE



Remove air brake wells to fit, air brake outline is correct

J EXTERIOR PARTS

