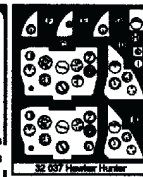
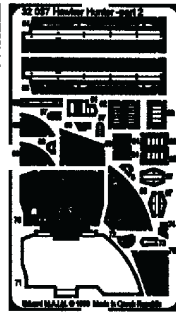
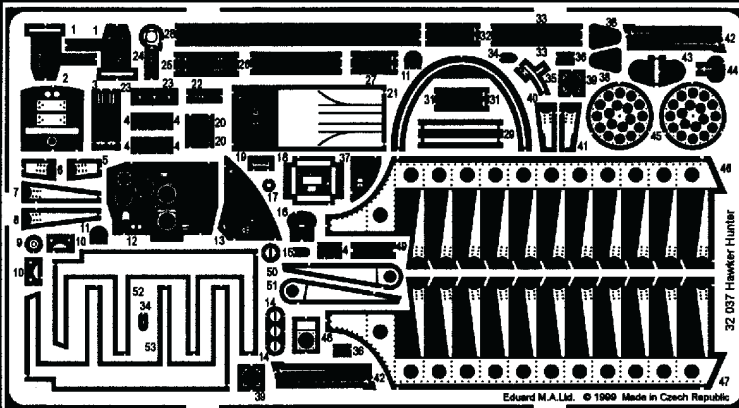










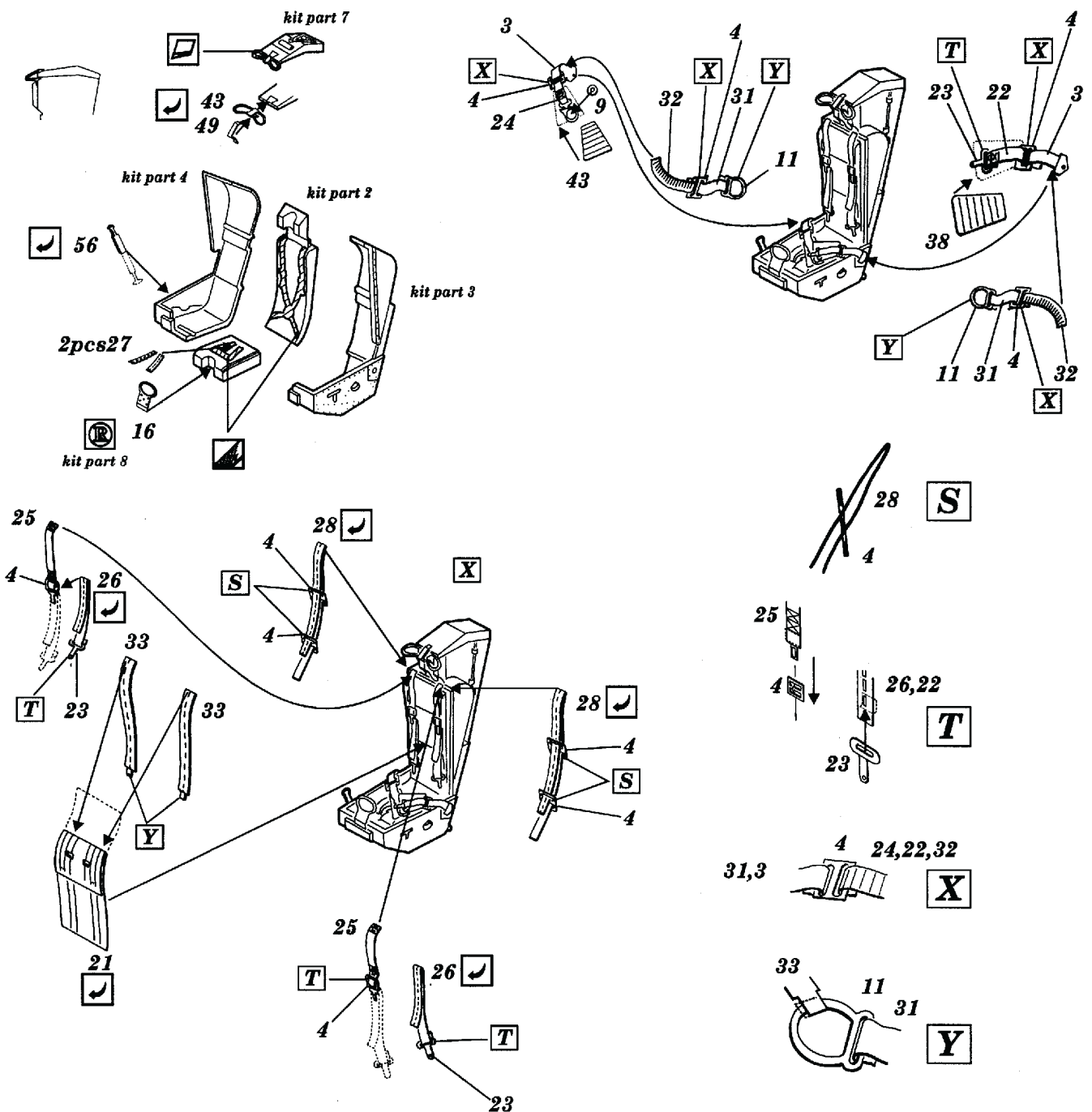
Hawker Hunter

1/32 scale detail set for Revell kit

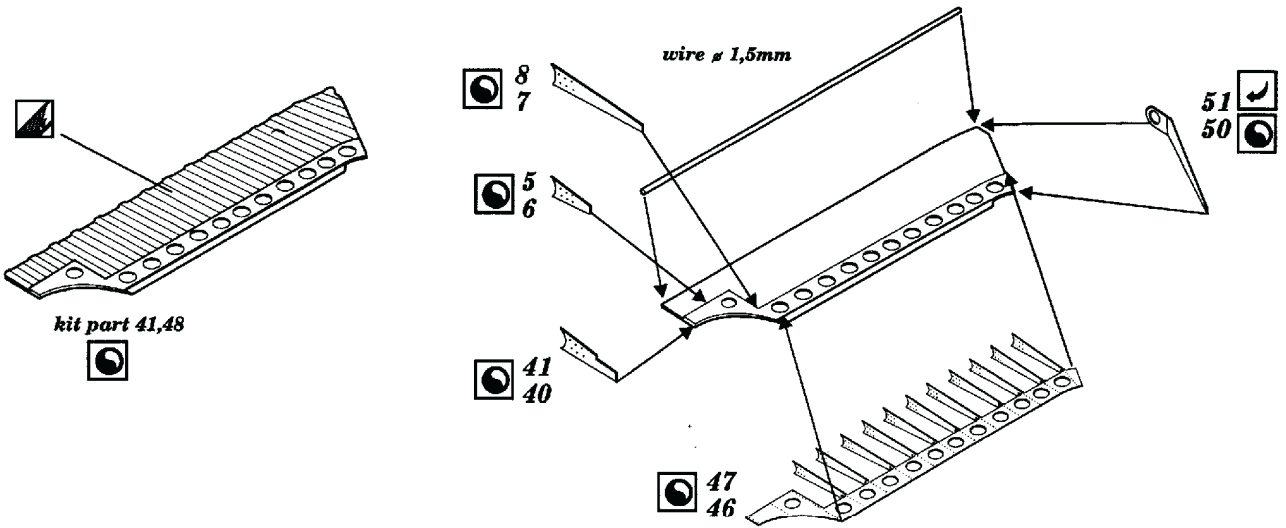


-  OPPOSITE SIDE
-  REMOVE
-  BEND
-  REPLACE
-  GRIND
-  OPTION

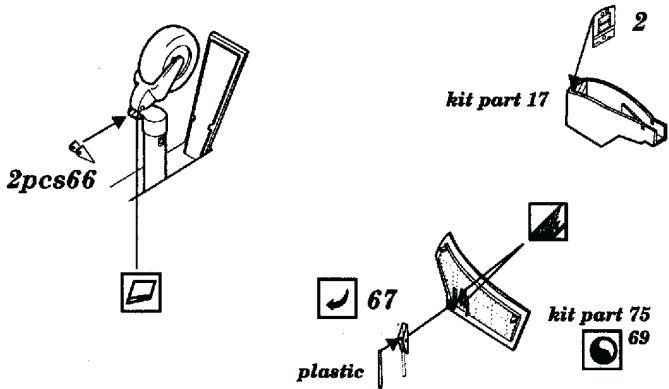
A EJECTION SEAT



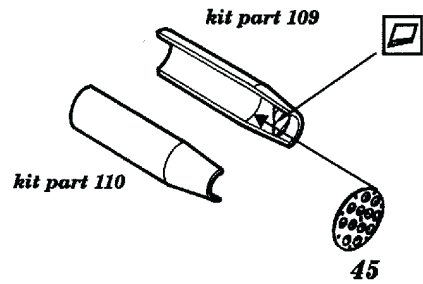
C FLAPS



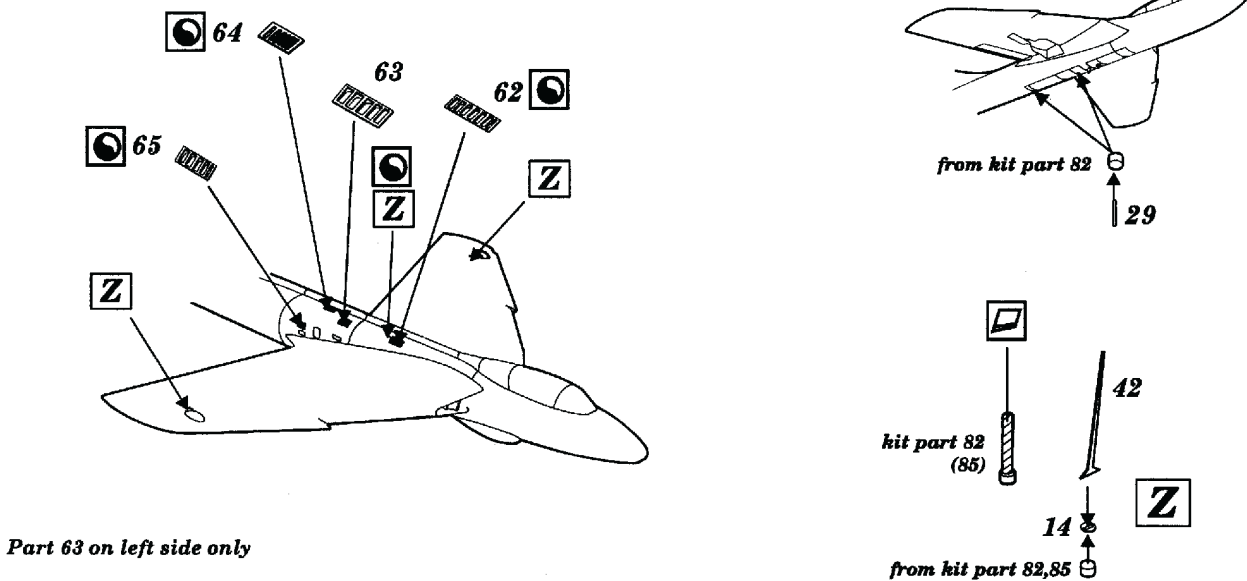
D UNDERCARRIAGE



E ROCKET POD



F EXTERNAL PARTS



Part 63 on left side only