

**eduard**  
Express MASK

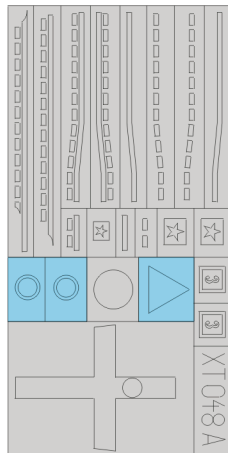
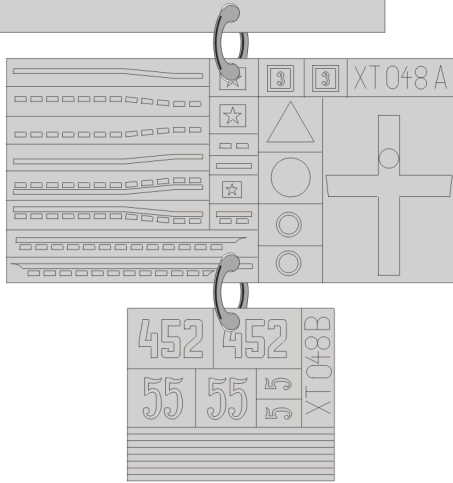
**XT 048**

# BT-7 Markings

A die-cut mask for accurate painting of markings

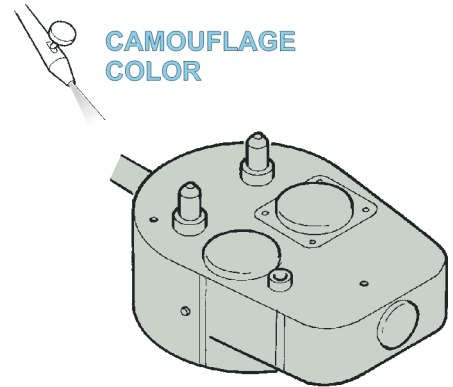
1/35 scale

**SEE REFERENCES FOR CORRECT PAINTING AND MARKINGS FOR VERSION OF VEHICLE.**

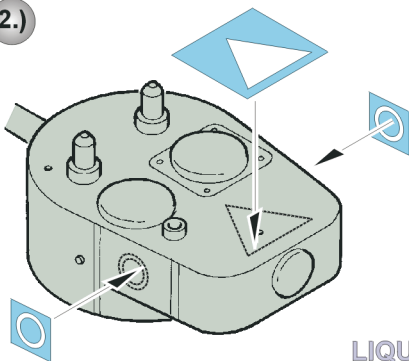


1.)

CAMOUFLAGE COLOR



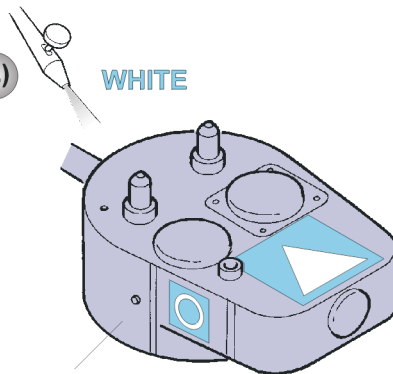
2.)



3.)

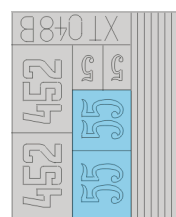
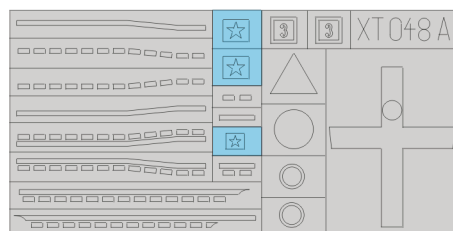
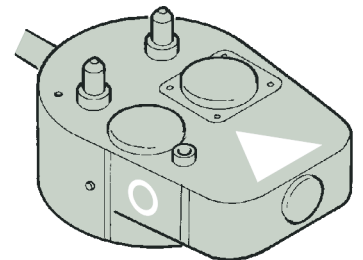
WHITE

LIQUID MASK OR MASKING TAPE



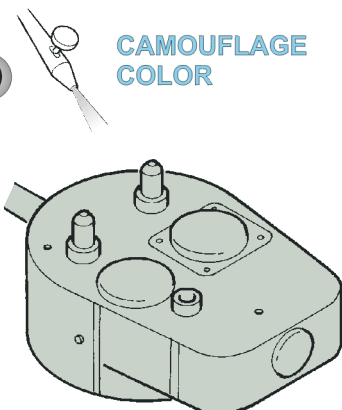
4.)

REMOVE MASK

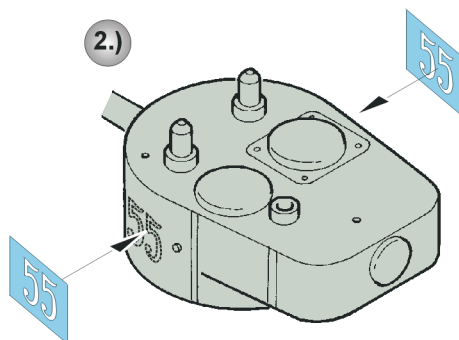


1.)

CAMOUFLAGE COLOR



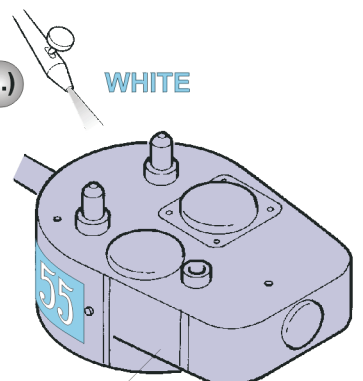
2.)

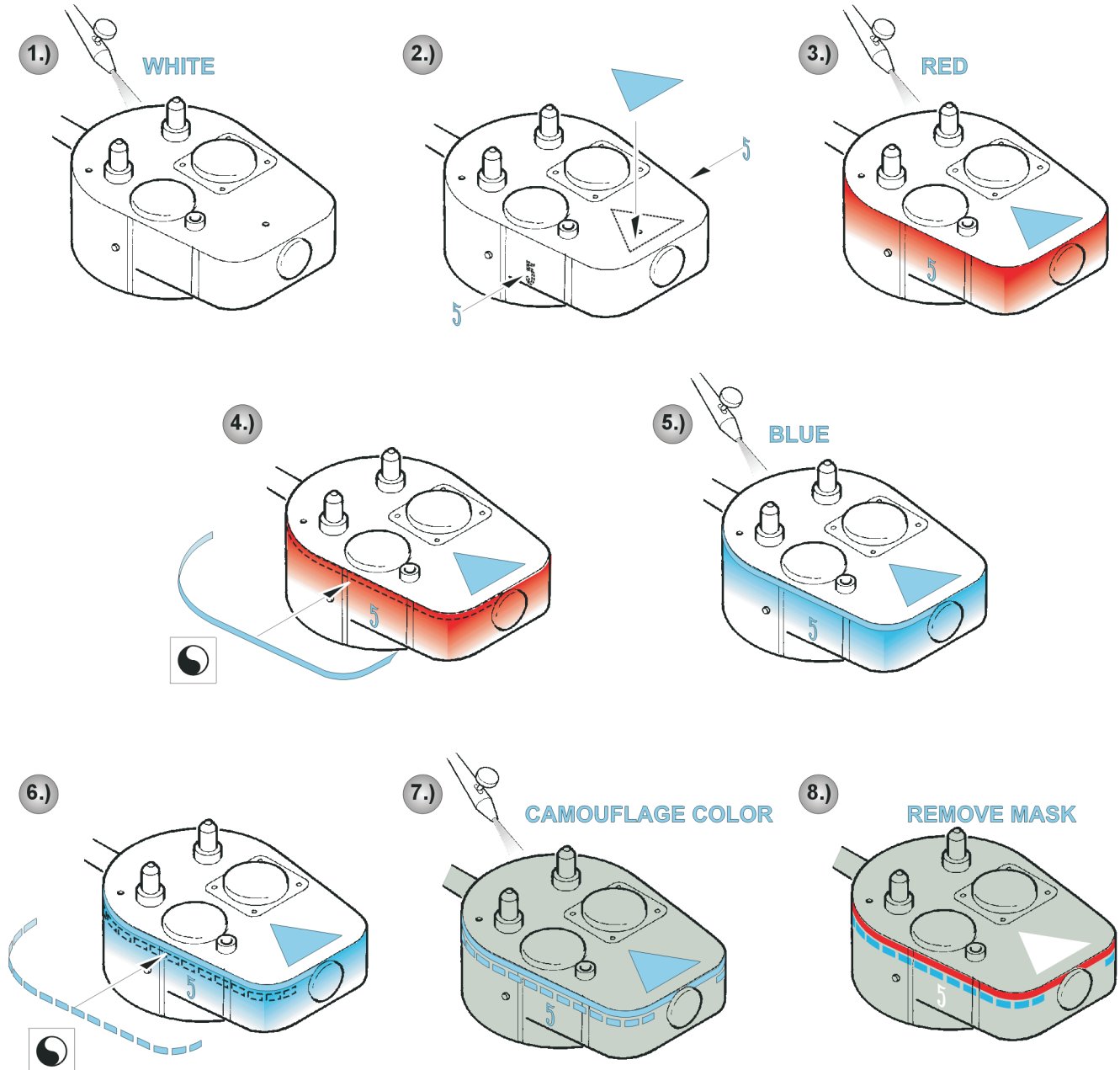
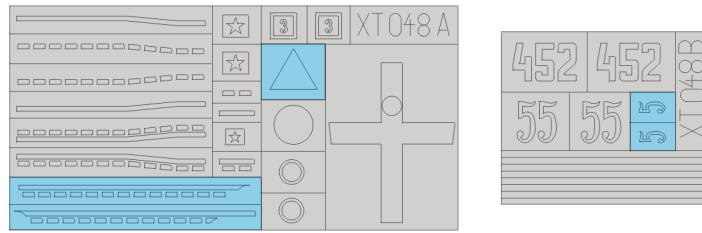
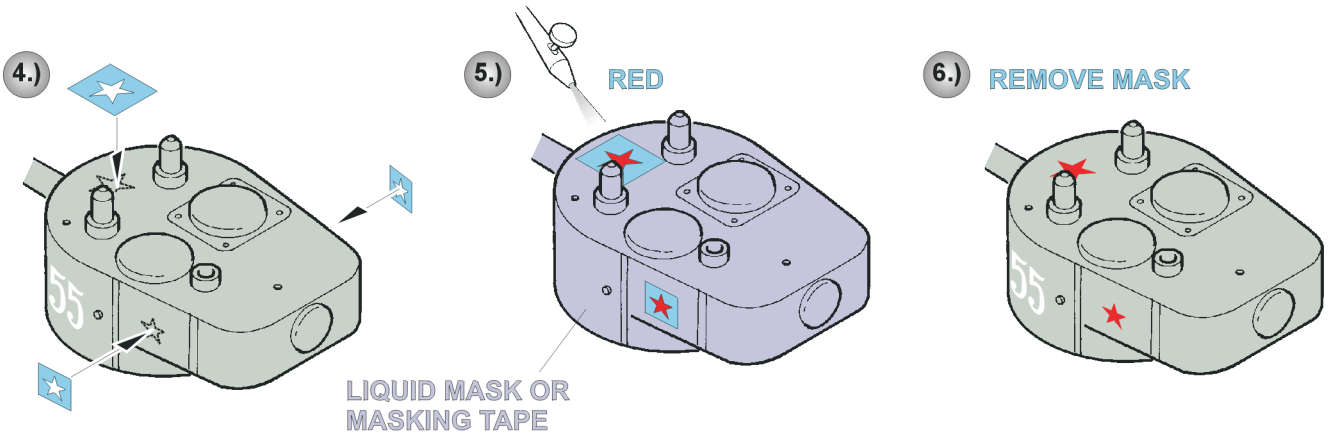


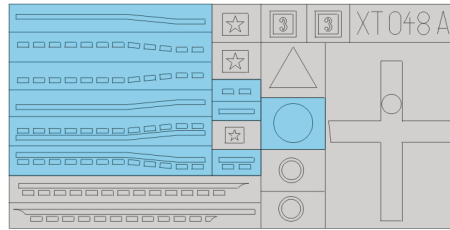
3.)

WHITE

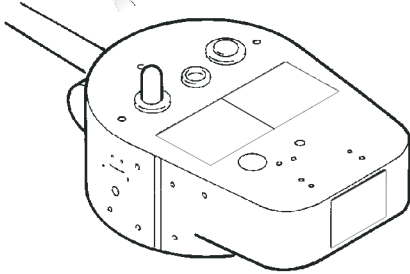
LIQUID MASK OR MASKING TAPE



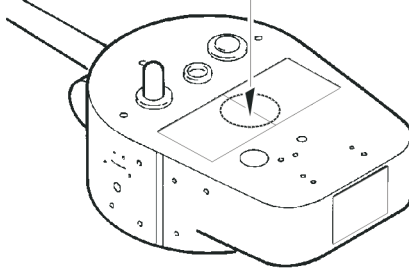




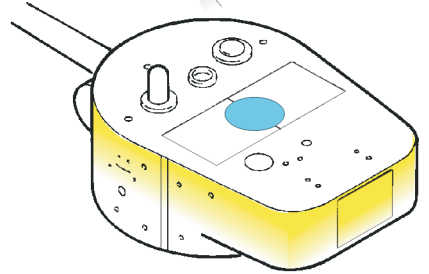
1.) WHITE



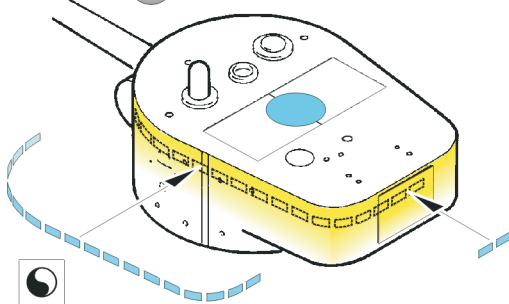
2.)



3.) YELLOW

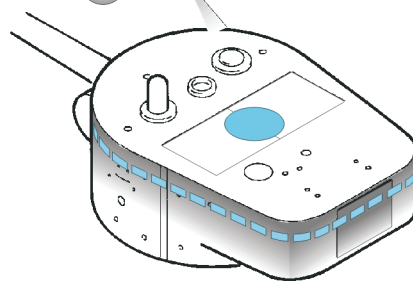


4.)

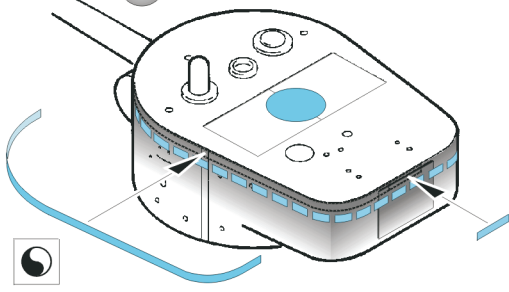


5.)

BLACK

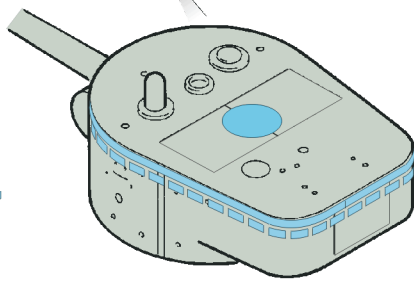


6.)



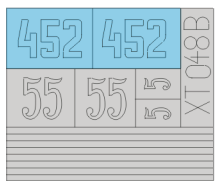
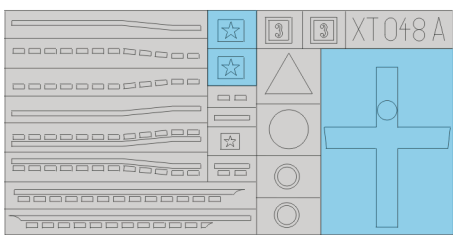
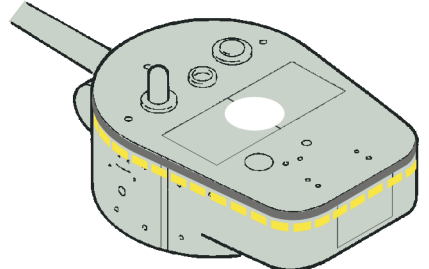
7.)

CAMOUFLAGE COLOR



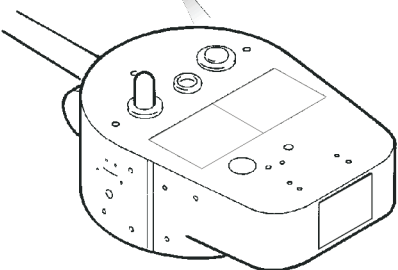
8.)

REMOVE MASK

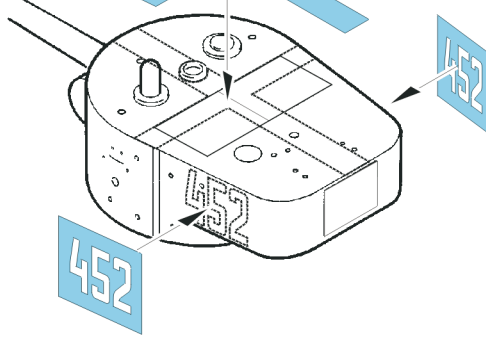


1.)

WHITE



2.)



3.)

RED

