

eduard
Express Mask

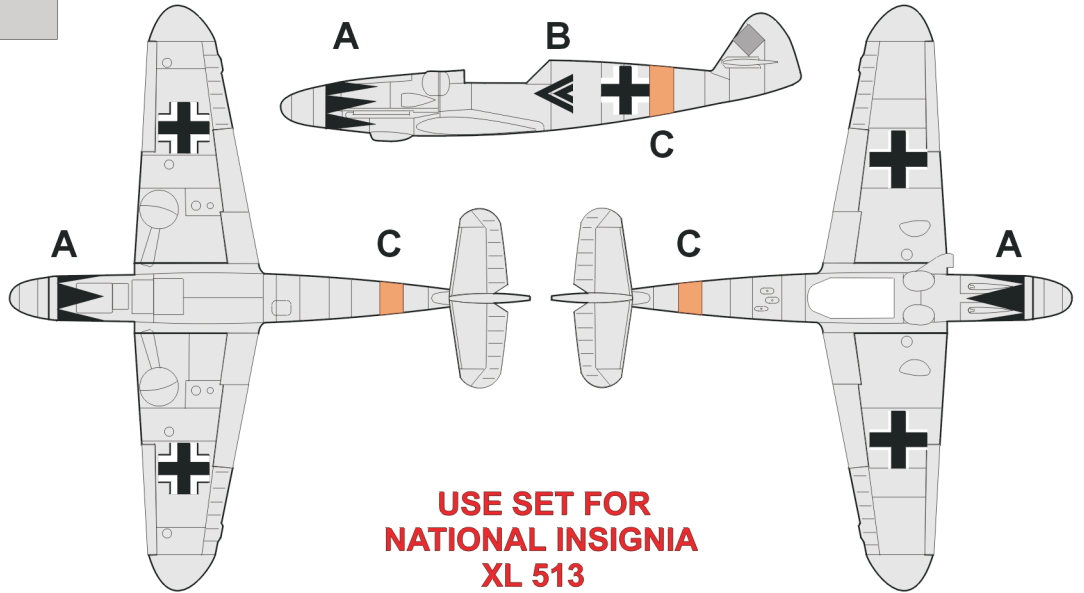
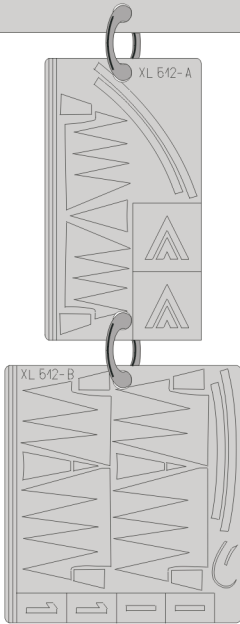
Bf-109G Hartmann Camo. Mkgs

The die-cut mask for accurate canopy frame painting of the

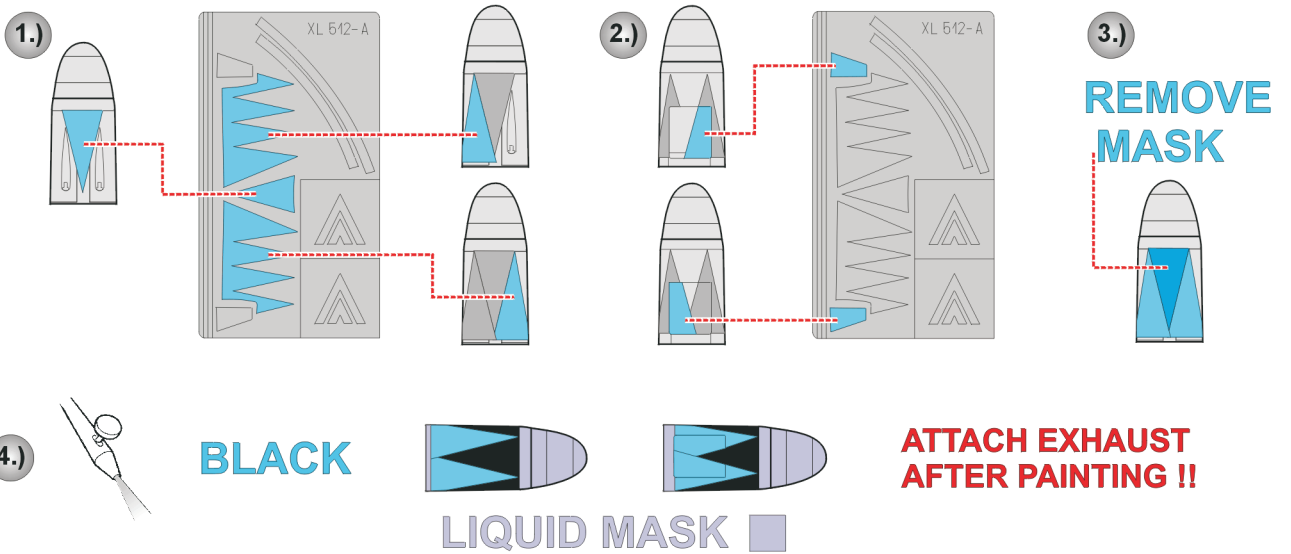
Hasegawa 1/32 KIT

XL 512

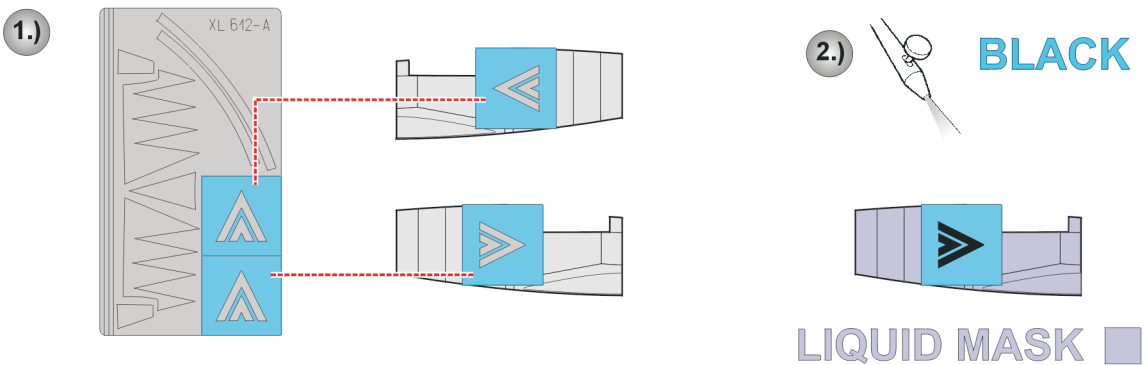
Kdr.I./JG53 Oblt. Erich Hartmann



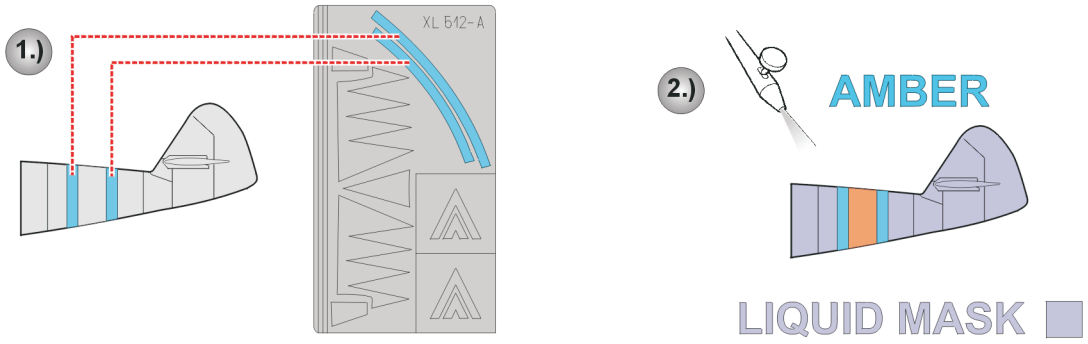
A



B

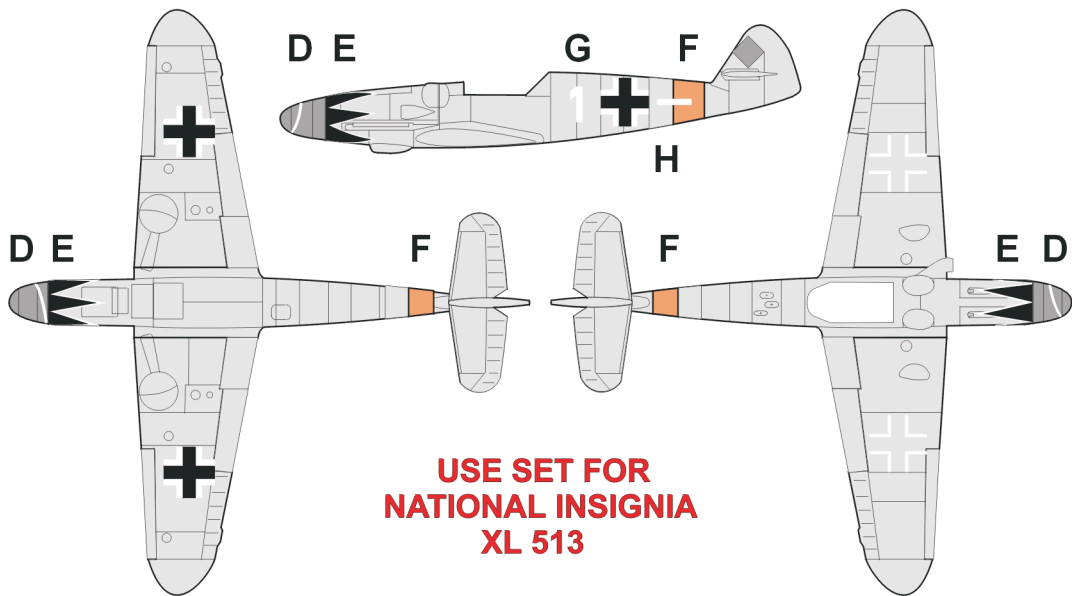


C

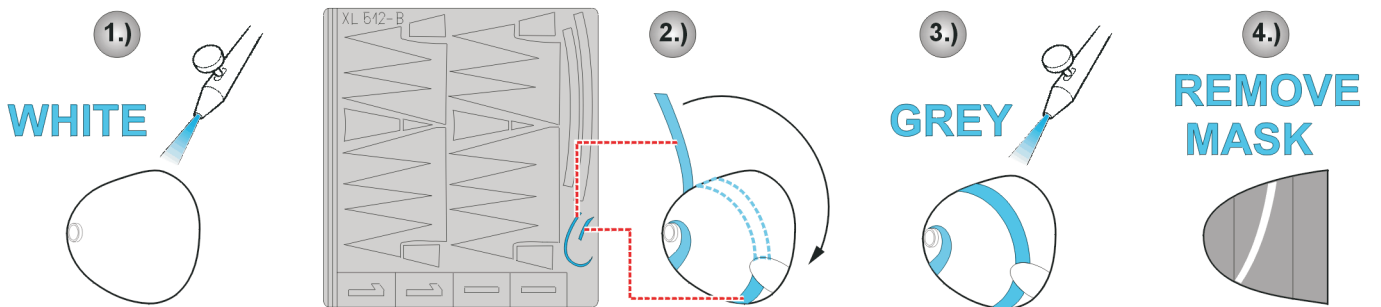


?

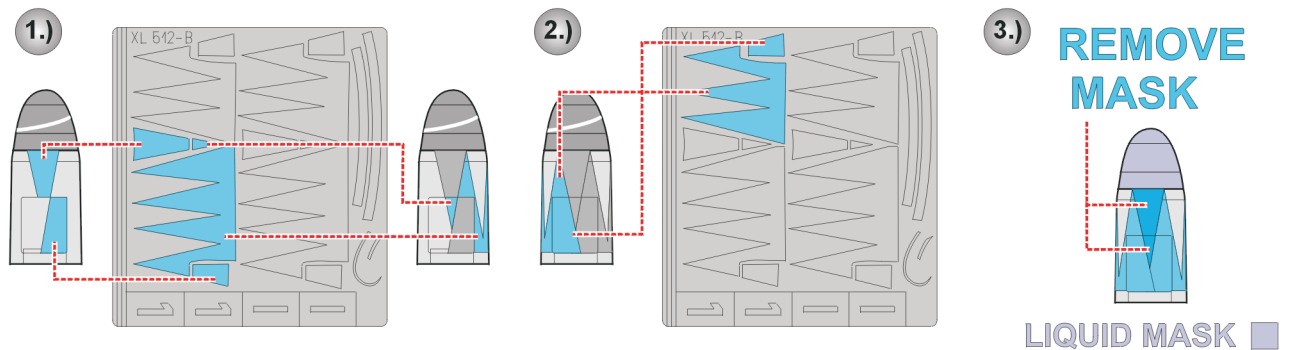
Sta.Kap.7./JG52 Oblt. Erich Hartmann

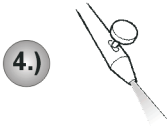


D



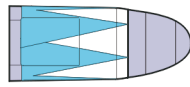
E





4.)

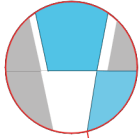
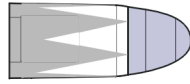
WHITE



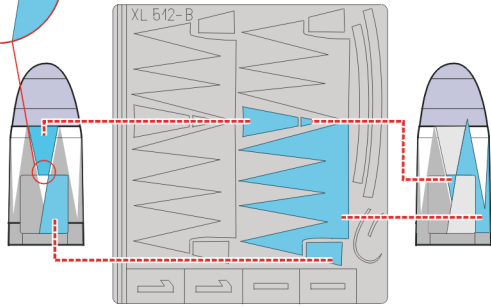
ATTACH EXHAUST
AFTER PAINTING !!

5.)

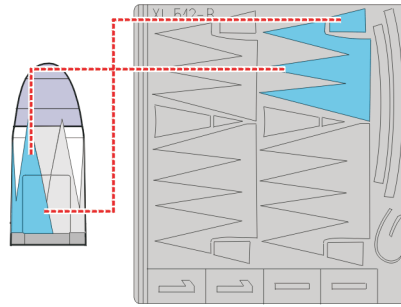
REMOVE
MASK



6.)

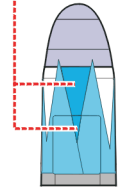


7.)

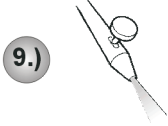


8.)

REMOVE
MASK

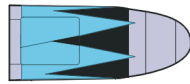


LIQUID MASK ■



9.)

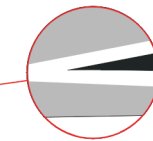
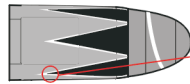
BLACK



ATTACH EXHAUST
AFTER PAINTING !!

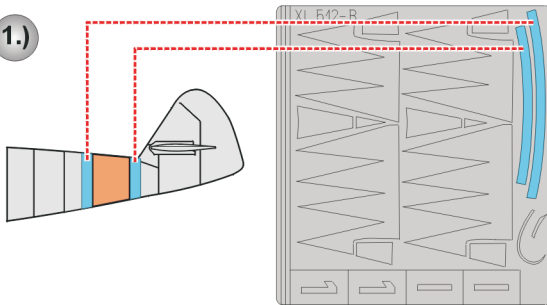
10.)

REMOVE
MASK



F

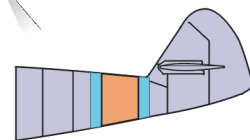
1.)



2.)



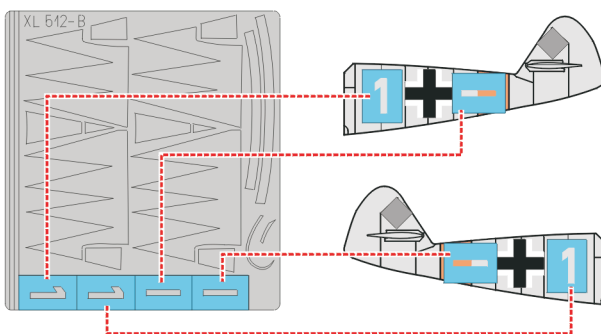
AMBER



LIQUID MASK ■

G,H

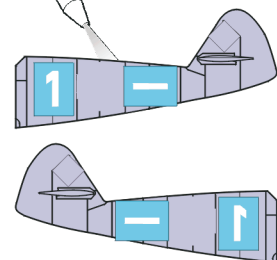
1.)



2.)



WHITE



LIQUID MASK ■