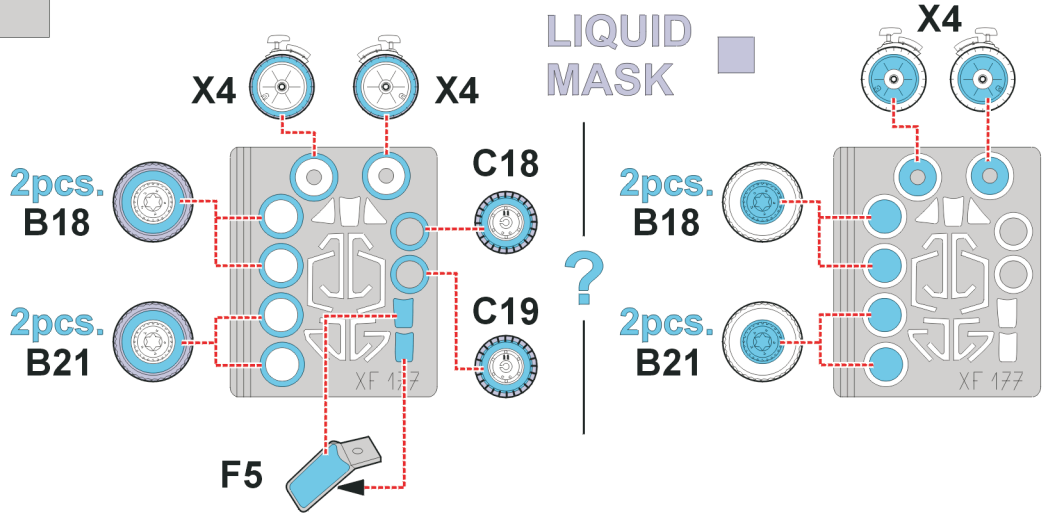
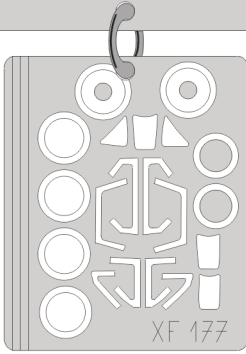


eduard
Express Mask

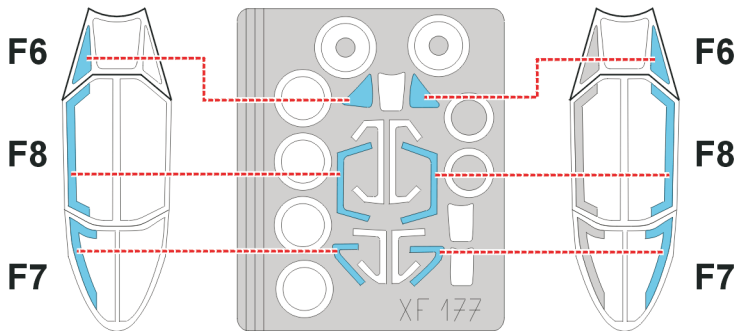
Me 262A Schwalbe

The die-cut mask for accurate canopy frame painting of the
Tamiya 1/48 KIT

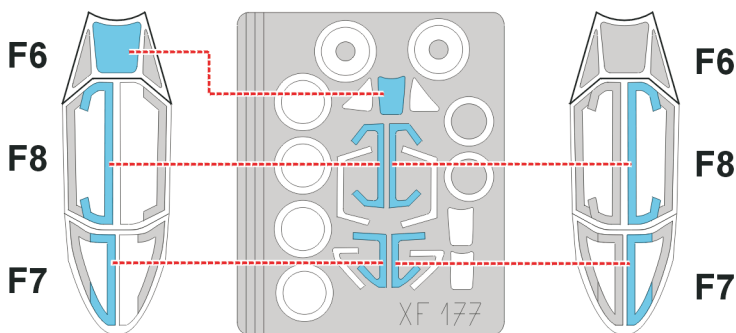
XF 177



1.)

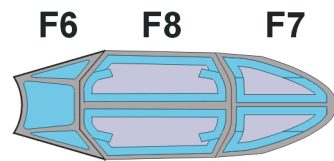


2.)



3.)

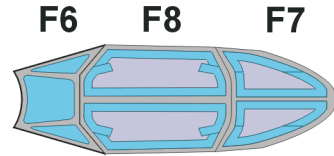
INTERIOR COLOR



LIQUID MASK

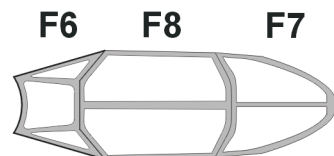
4.)

CAMOUFLAGE COLOR



5.)

REMOVE MASK



REFERENCES: MBI: Messerschmitt Me 262
A Peregrine Photo Essay - Me 262A Schwalbe
Aero Detail - Me 262
Model Art - Me 262