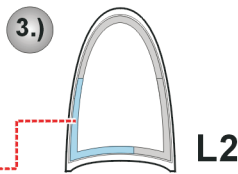
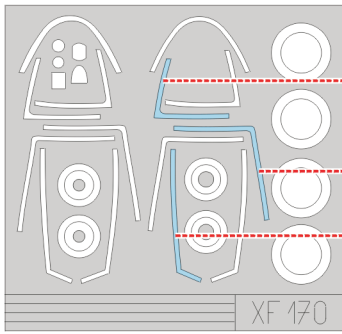
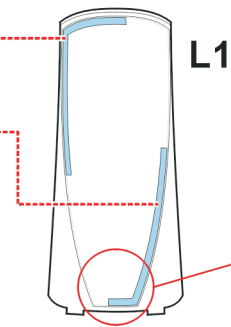
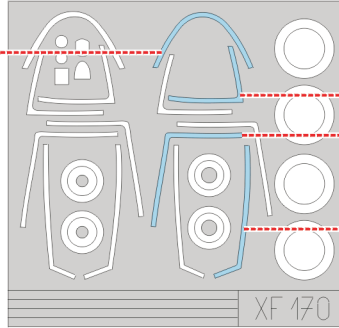
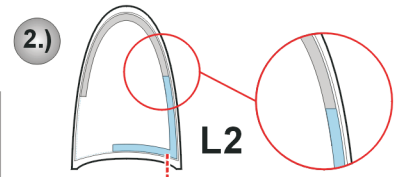
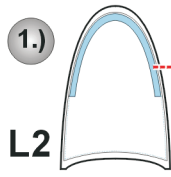
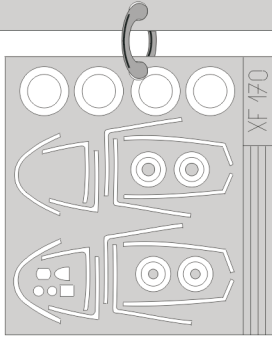


eduard
Express Mask

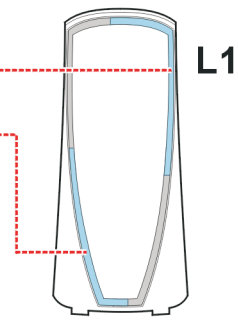
XF 170

F-18/A-18 Hornet

The die-cut mask for accurate canopy frame painting of the
Hasegawa 1/48 KIT



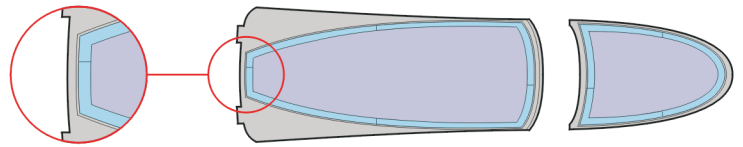
L2



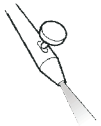
L1



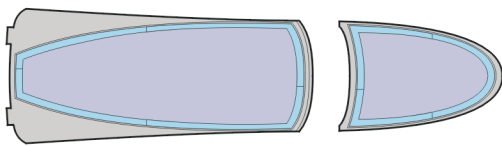
4.) **INTERIOR COLOR**



- LIQUID MASK

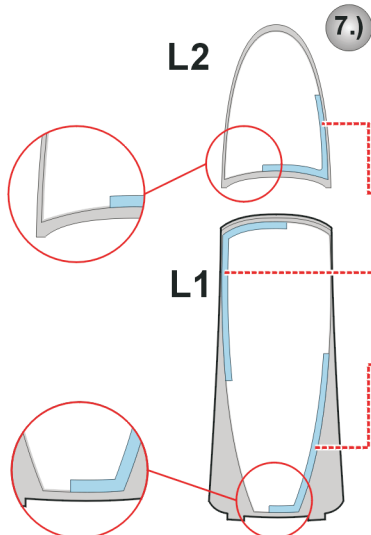
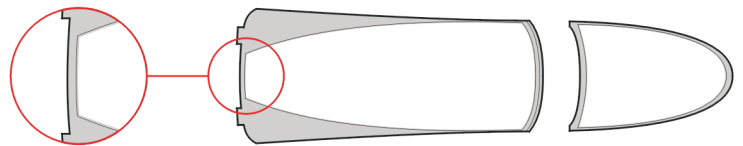


5.) **RUBBER COLOR**



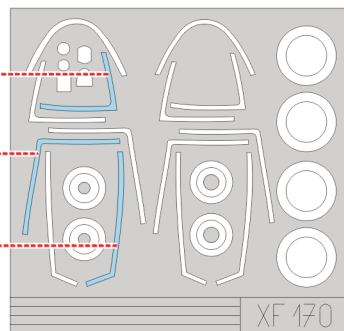
- LIQUID MASK

6.) **REMOVE MASK**

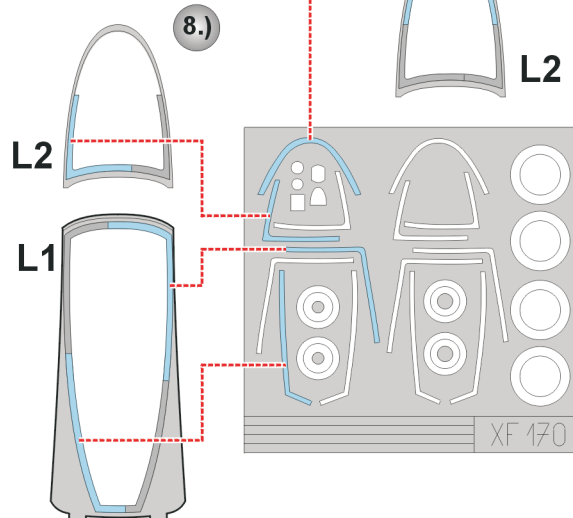


L2

L1

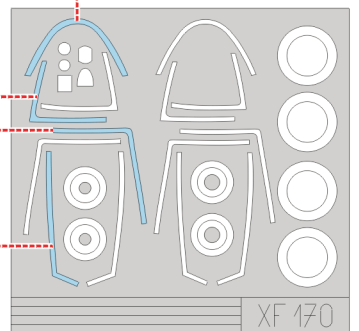


XF 170



L2

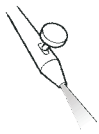
L1



XF 170

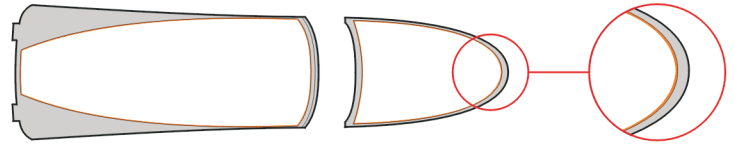
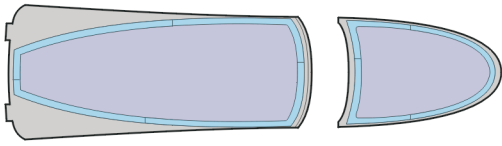
9.)

L2

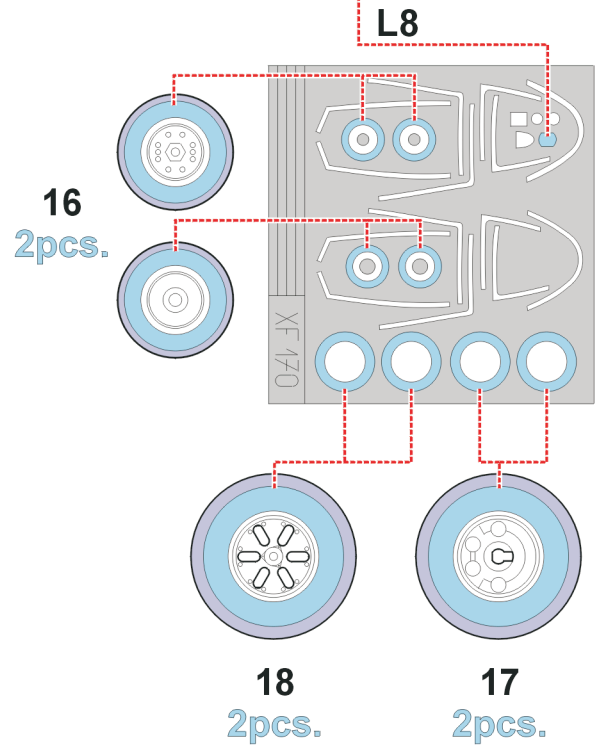
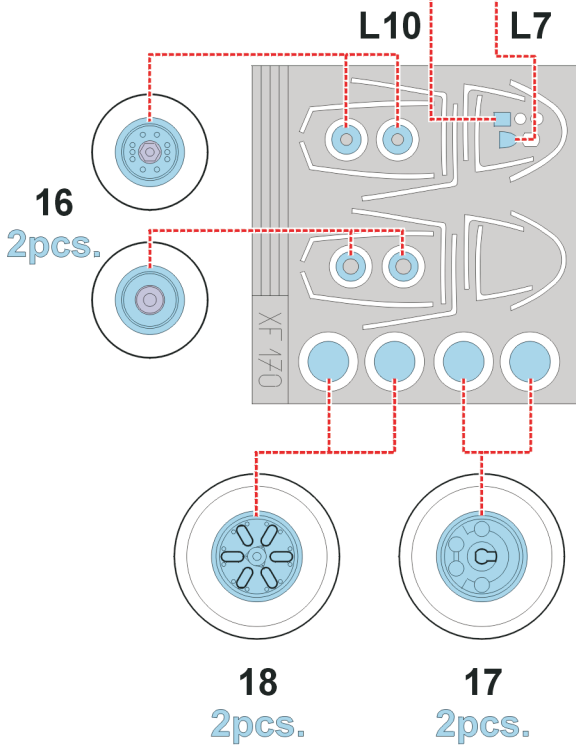
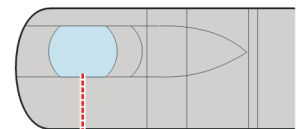
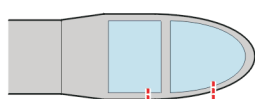
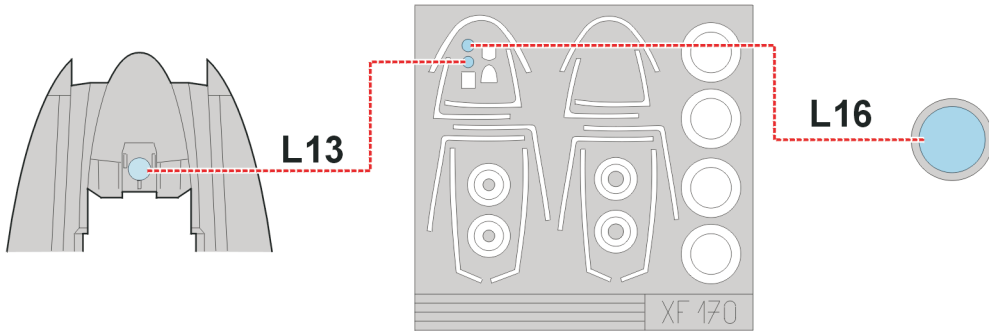


10.) CAMOUFLAGE COLOR

11.) REMOVE MASK



 - LIQUID MASK



 - LIQUID MASK

 - LIQUID MASK

REFERENCES: Squadron/Signal Publ.:Walk Around # 18 - F/A-18 Hornet
Squadron/Signal Publ.:Aircraft # 136 - F/A-18 Hornet