

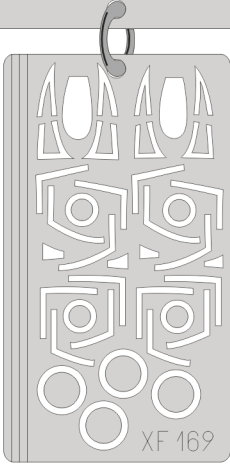
eduard
Express Mask

XF 169

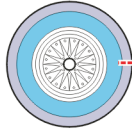
F-4J Phantom II

The die-cut mask for accurate canopy frame painting of the
Revell/Monogram 1/48 KIT

LIQUID MASK ■



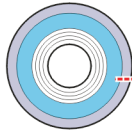
2pcs.
31



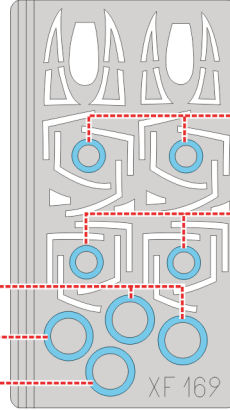
2pcs.
37



2pcs.
32



2pcs.
37



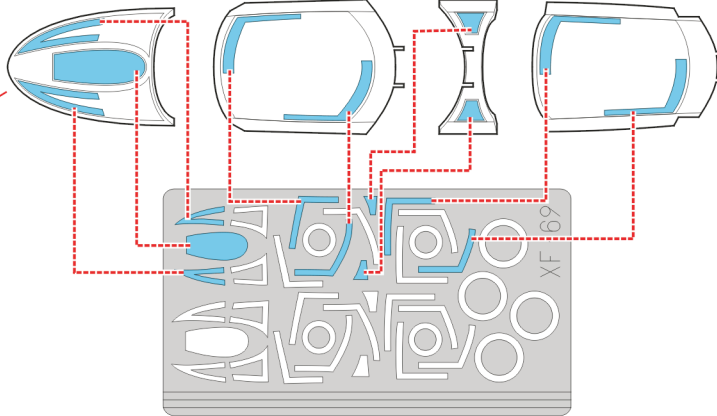
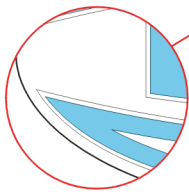
1.)

80

81

83

82



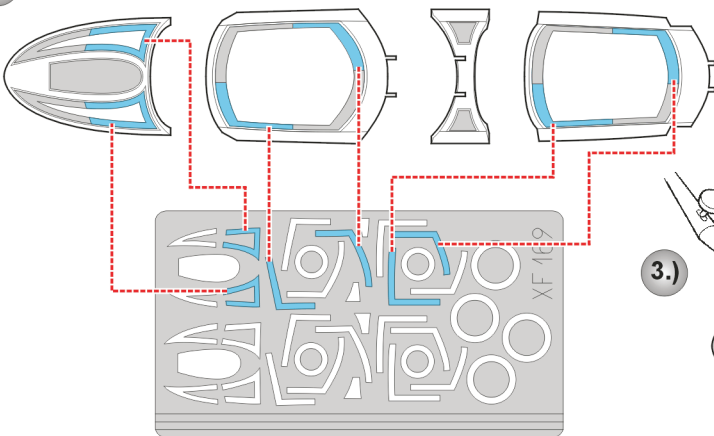
2.)

80

81

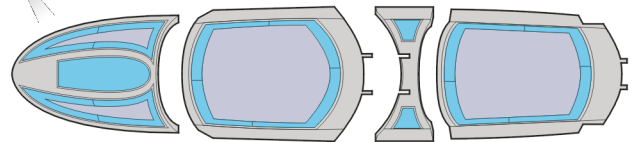
83

82



INTERIOR COLOR

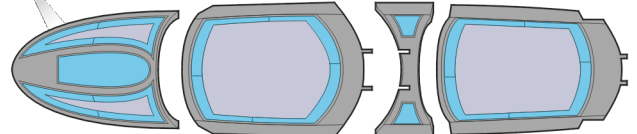
3.)



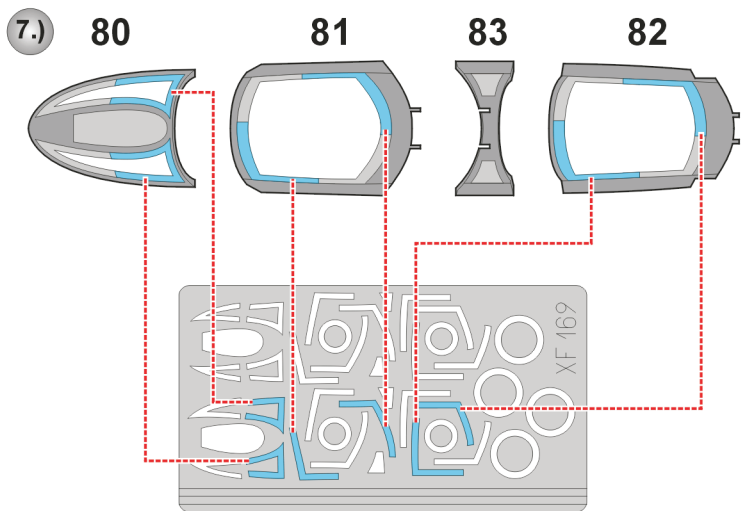
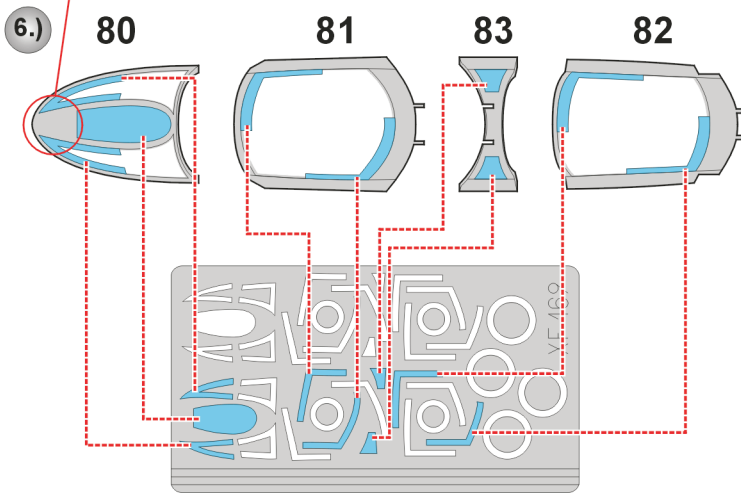
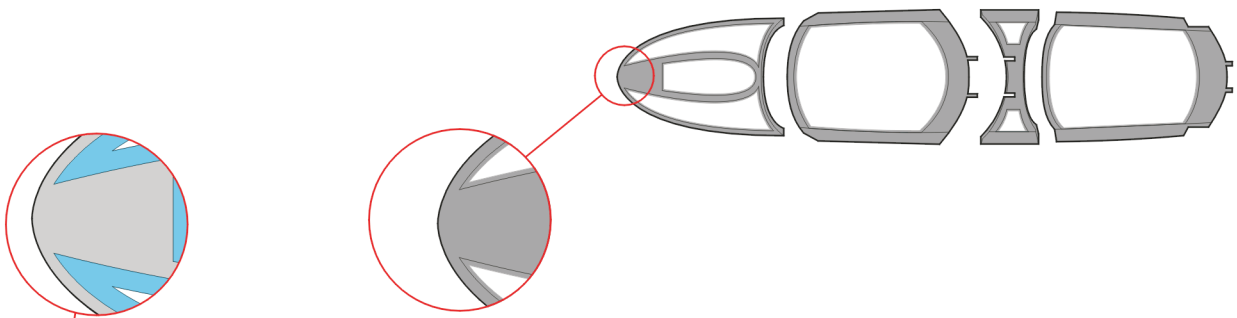
LIQUID MASK ■

RUBBER COLOR

4.)

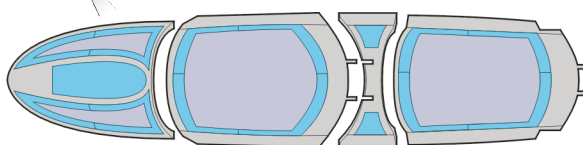


5.) REMOVE MASK



8.)

CAMOUFLAGE COLOR



LIQUID MASK ■

REFERENCES: Sqadron/Signal Publ. # 1065 - F-4 PHANTOM II