

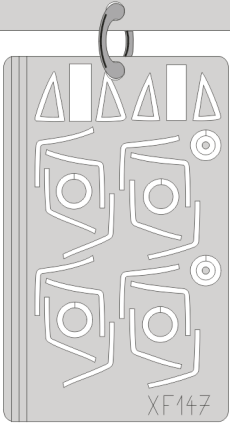
eduard
Express Mask

G-91

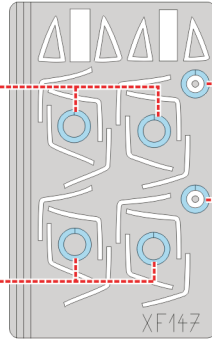
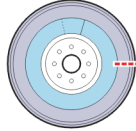
The die-cut mask for accurate canopy frame painting of the
Ocidental 1/48 KIT

XF 147

LIQUID MASK ■

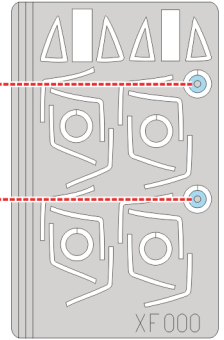
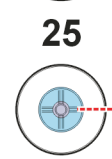


2pcs
20

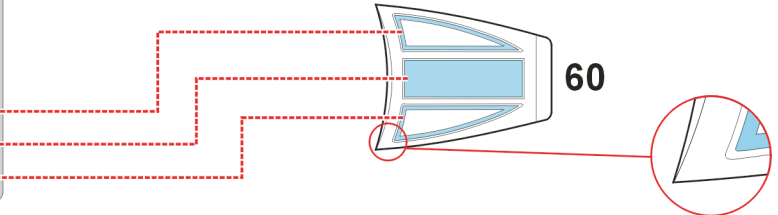
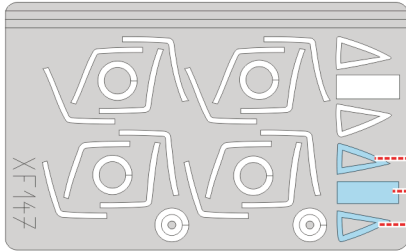


25 ?

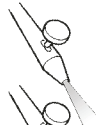
25



1.)

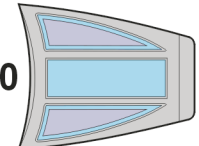


2.)



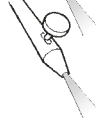
INTERIOR COLOR

60



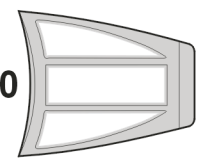
LIQUID MASK ■

3.)



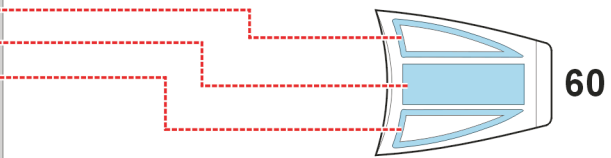
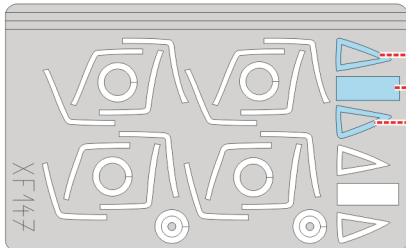
RUBBER COLOR

60

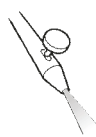


4.)

REMOVE MASK

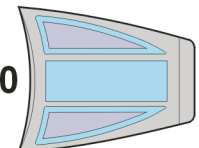


5.)



CAMOUFLAGE COLOR

60

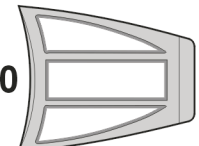


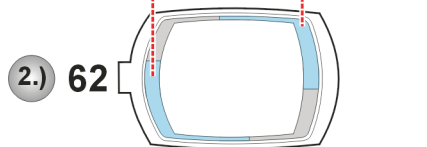
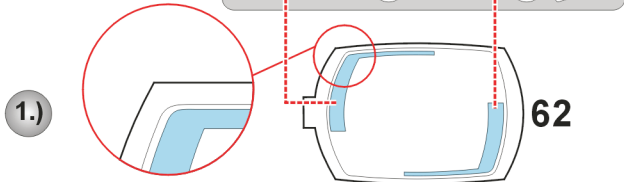
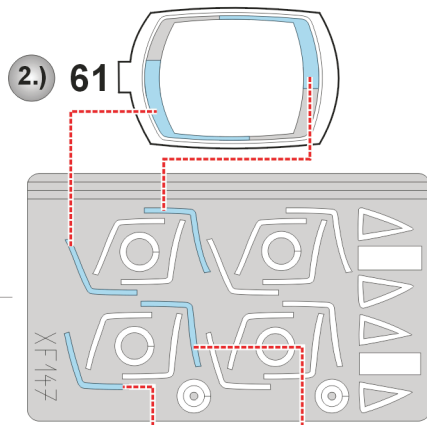
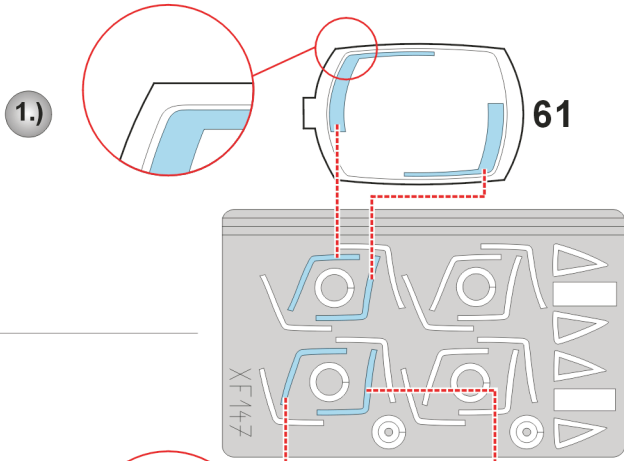
LIQUID MASK ■

6.)

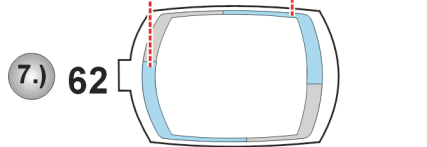
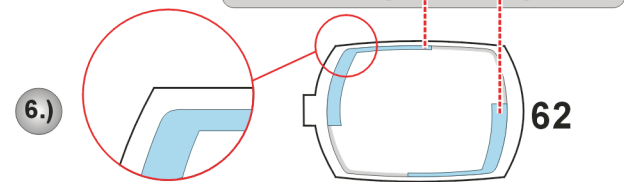
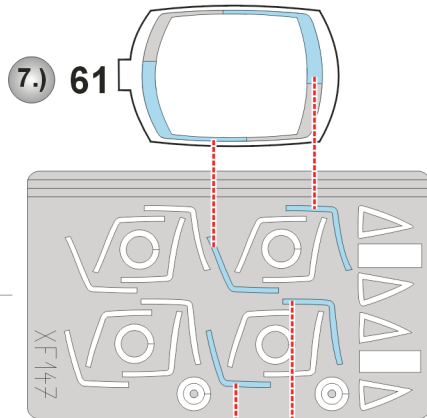
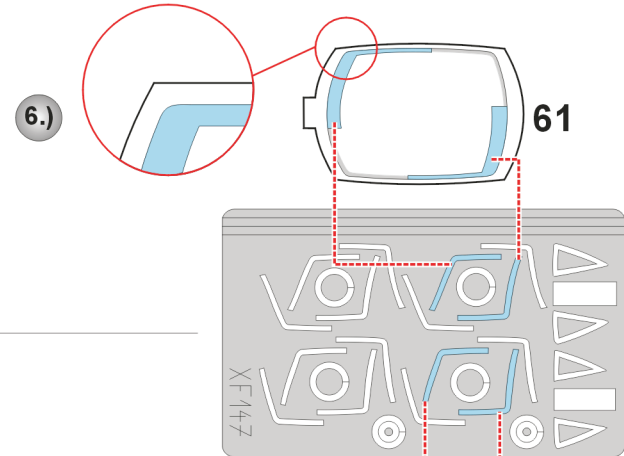
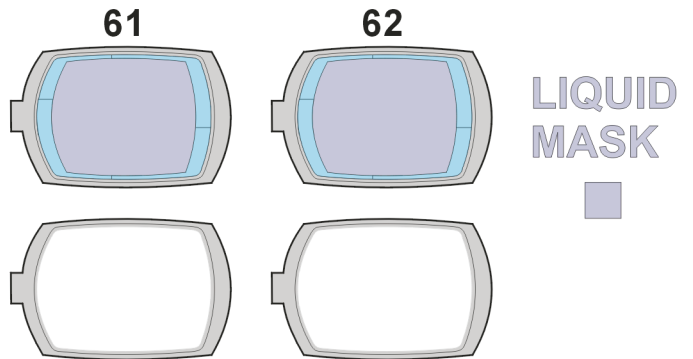
REMOVE MASK

60





- 3.)  **INTERIOR COLOR**
- 4.) **RUBBER COLOR**
- 5.) **REMOVE MASK**



- 8.)  **CAMOUFLAGE COLOR**
- 9.) **REMOVE MASK**

