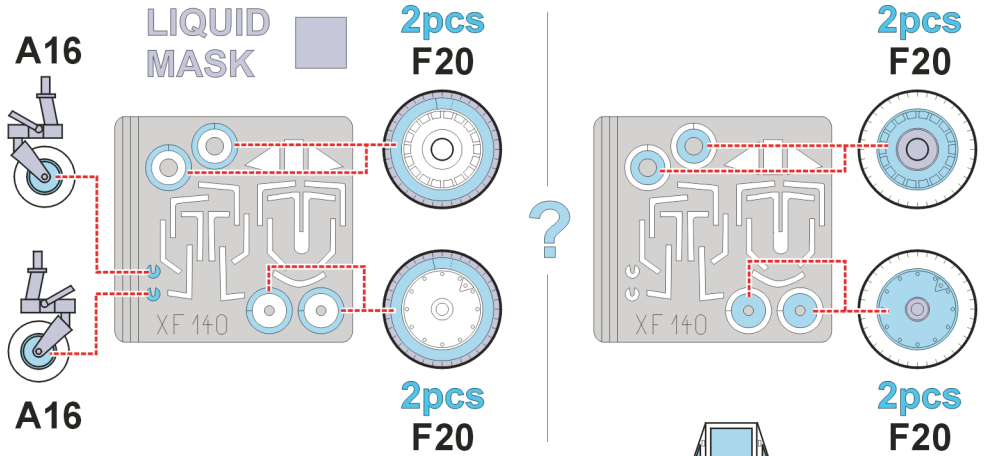
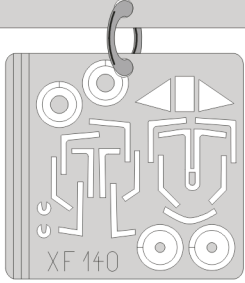


eduard
Express Mask

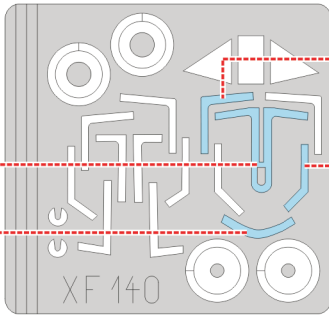
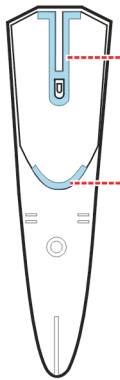
Fw-190D

The die-cut mask for accurate canopy frame painting of the
Tamiya 1/48 KIT

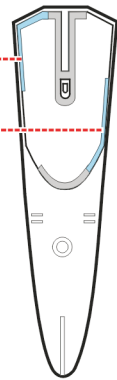
XF 140



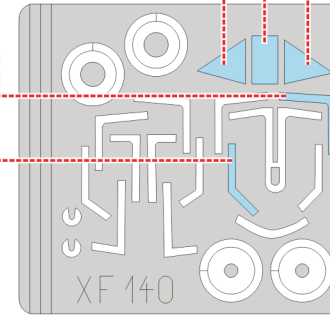
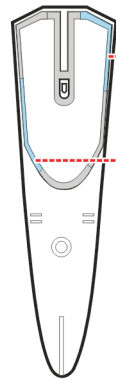
1.) C3



2.) C3

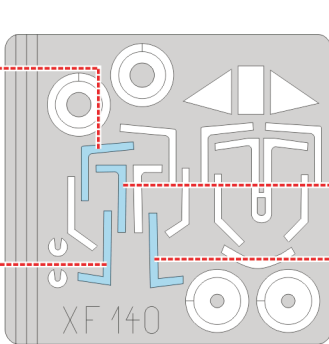
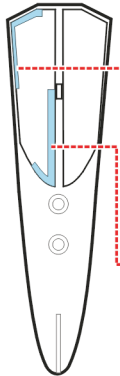


3.) C3

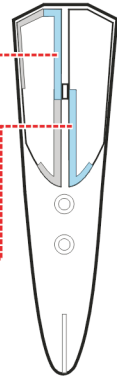


C2

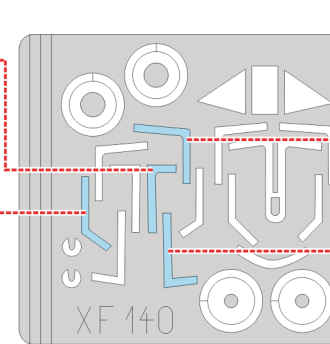
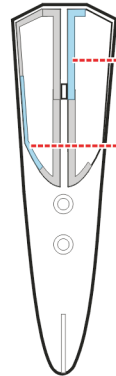
1.) C4



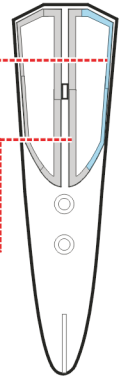
2.) C4



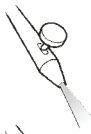
3.) C4



4.) C4

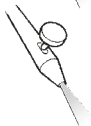


1.)

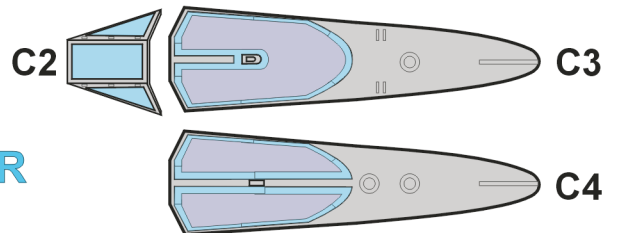


INTERIOR COLOR

2.)



CAMOUFLAGE COLOR



LIQUID MASK



REFERENCES: Squadron/Signal Publ.:Walk Around # 10 - Fw 190D
Aero Detail # 2 - Focke-Wulf Fw190D