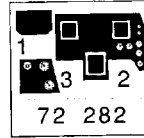
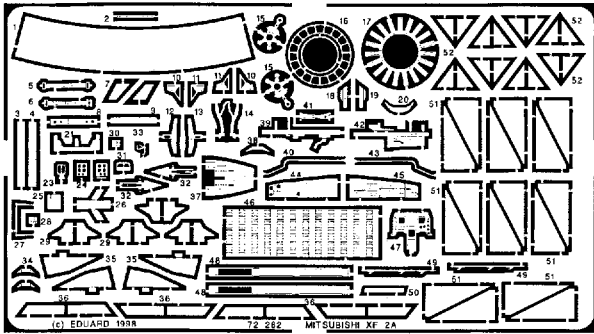









# Mitsubishi XF2-A

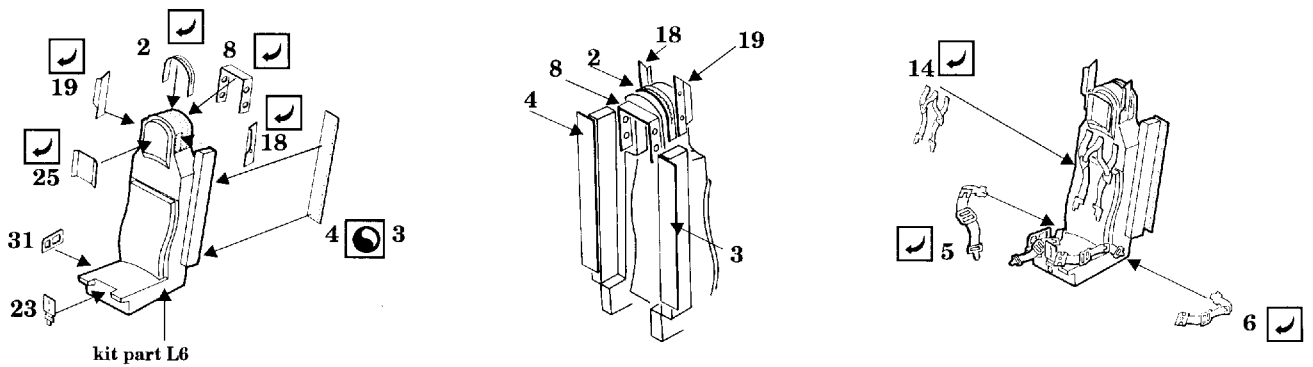
**72 282**

1/72 scale detail set for HASEGAWA kit

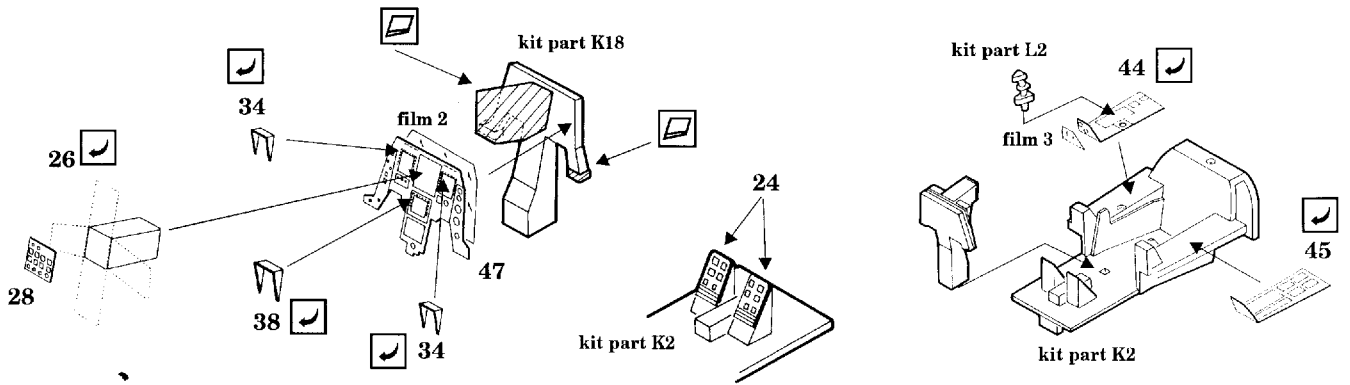


-  OPPOSITE SIDE
-  REMOVE
-  BEND
-  REPLACE
-  GRIND

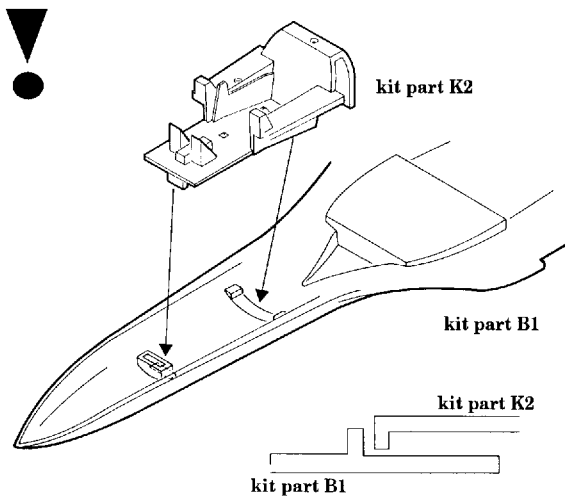
## PILOT SEAT



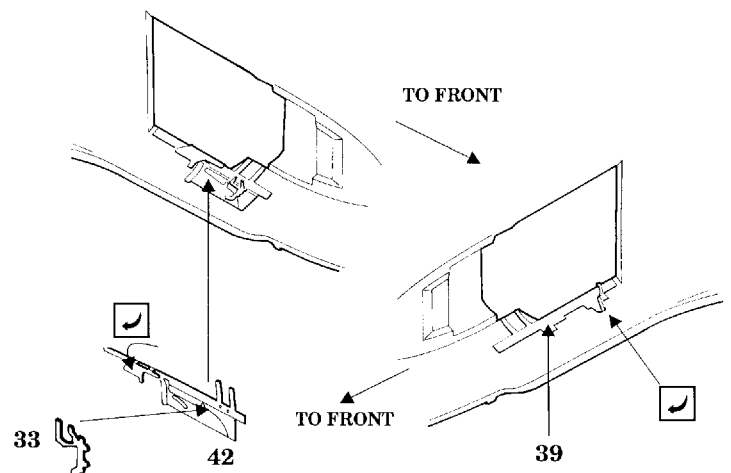
## COCKPIT INTERIOR



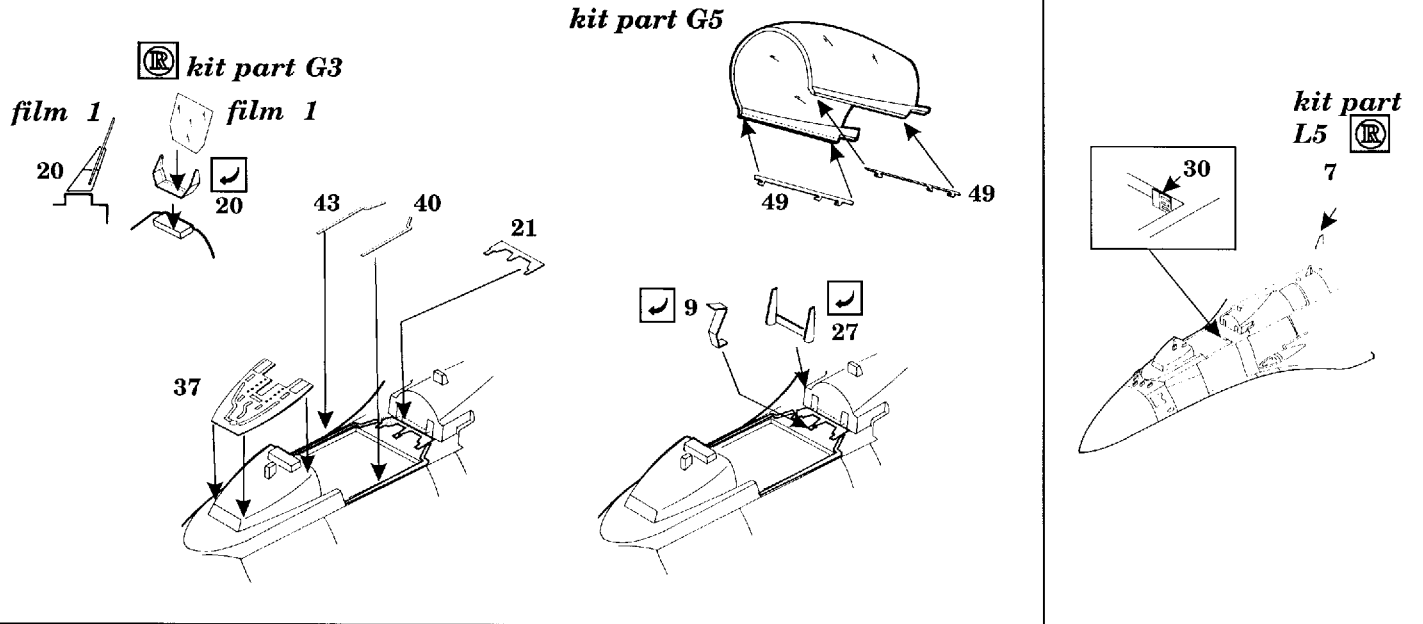
## CORRECT POSITION



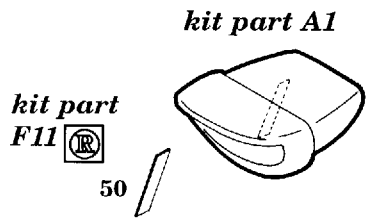
## Kit part E1 COCKPIT INSIDE



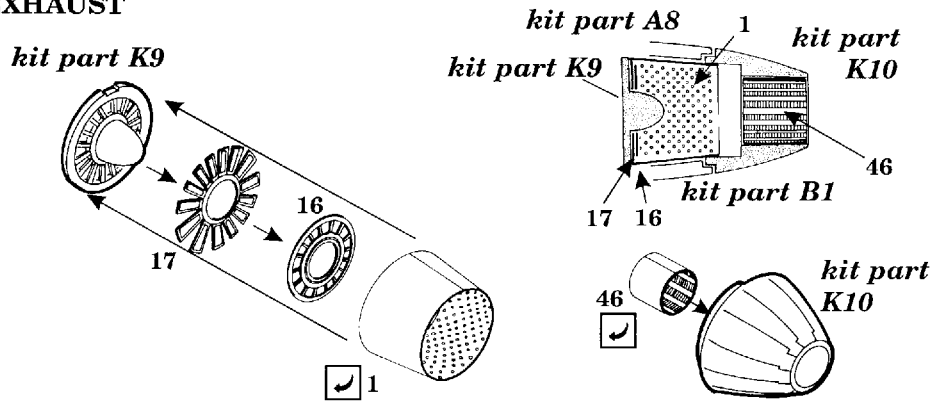
### COCKPIT ASSEMBLY



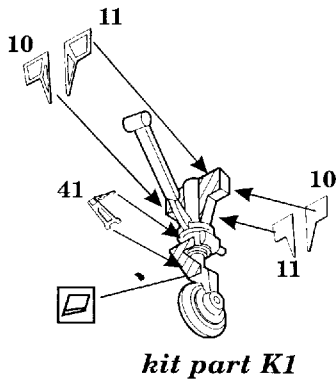
### AIR INTAKE



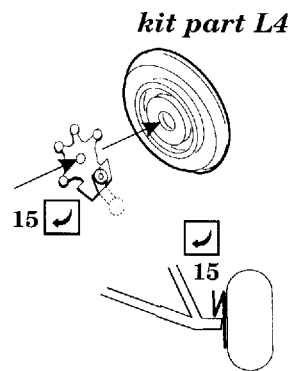
### EXHAUST



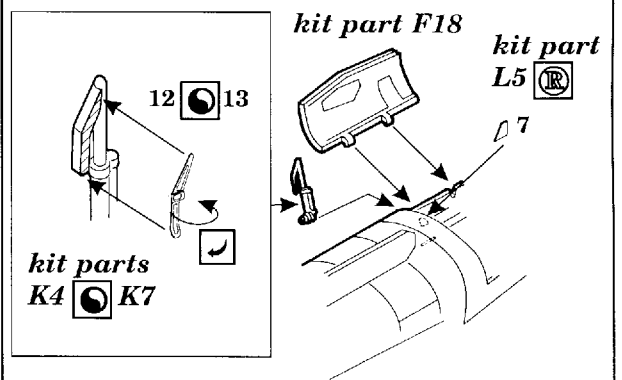
### NOSE GEAR STRUT



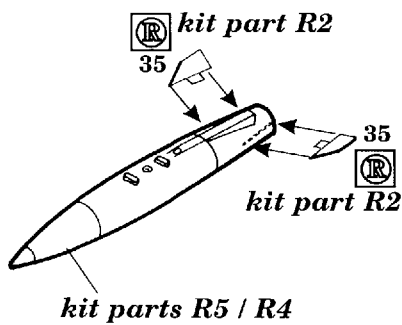
### MAIN WHEEL TYRE



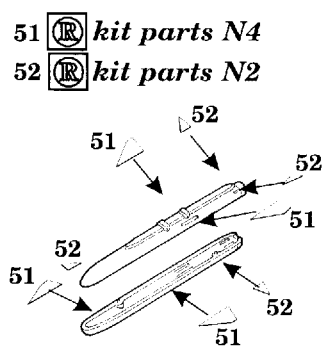
### MAIN WHEEL WELL



### FUEL TANK



### ASM-2 MISSILE



### AAM-3 MISSILE

