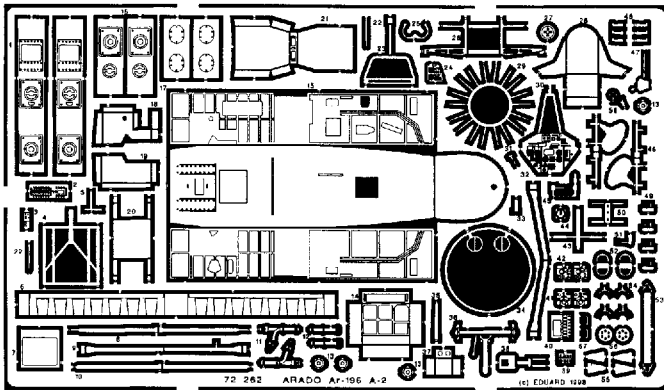







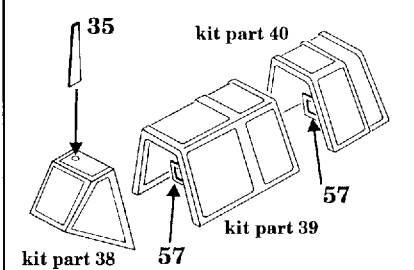
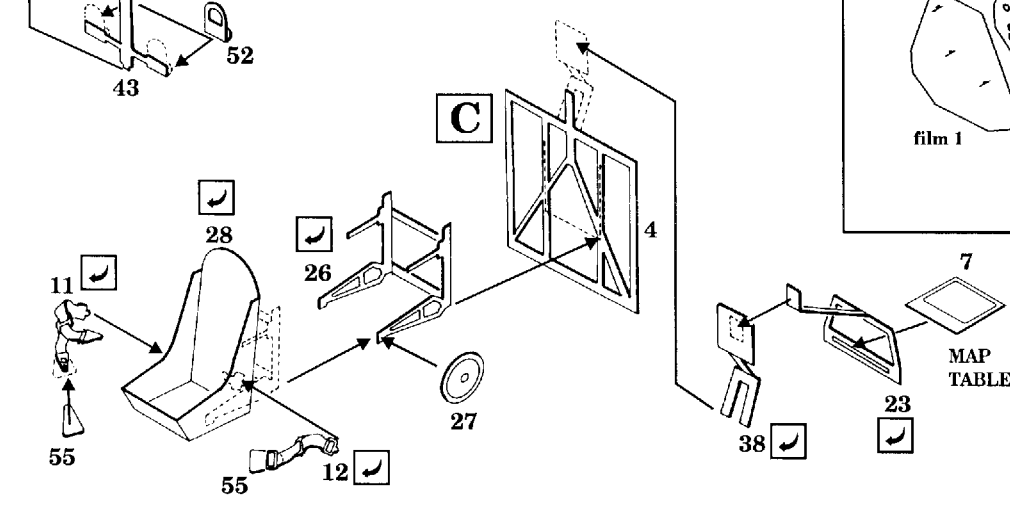
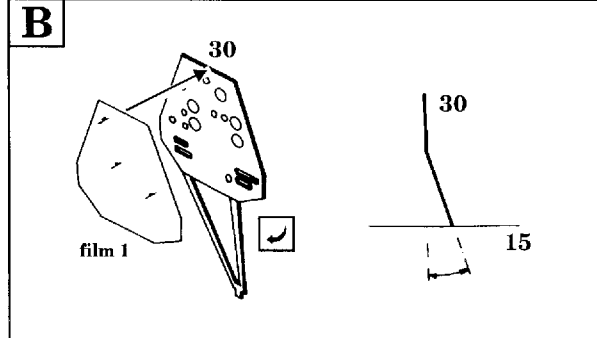
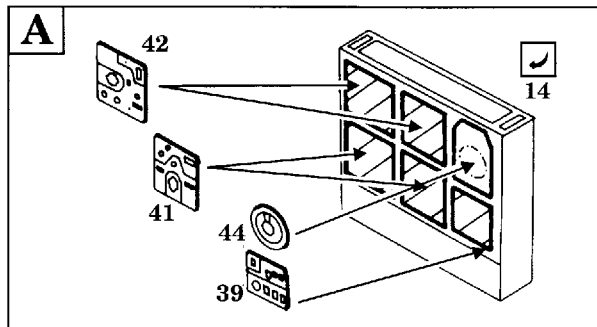
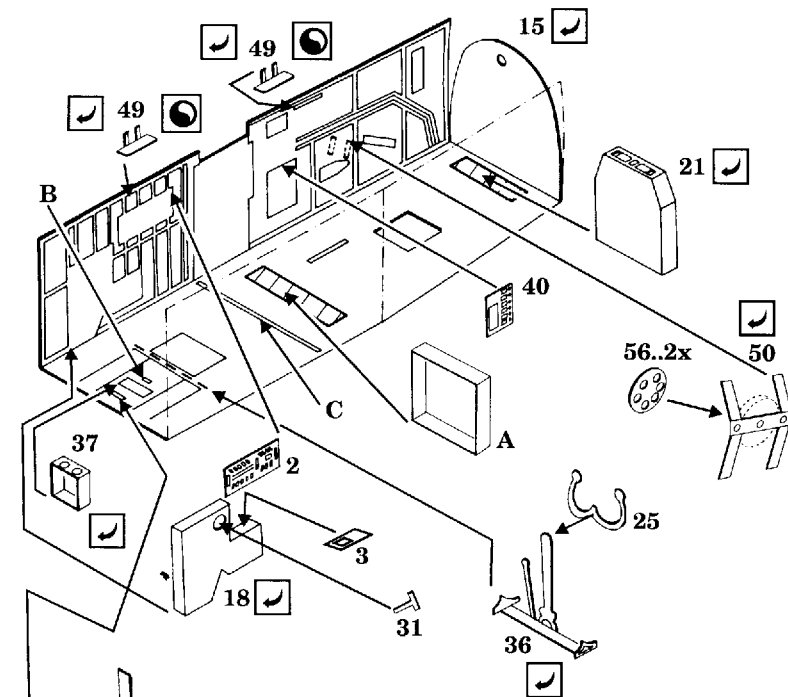
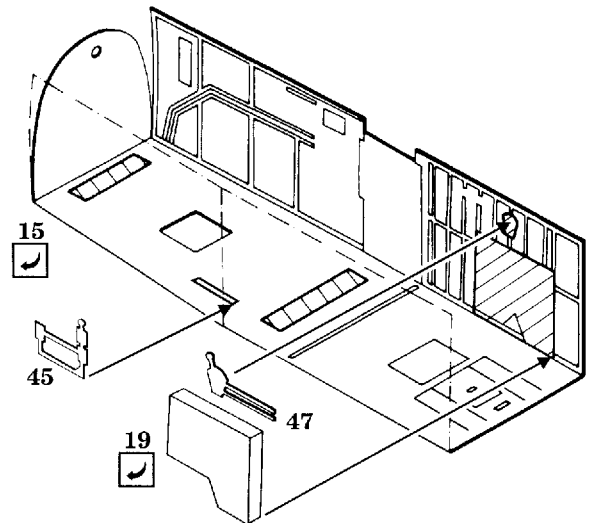
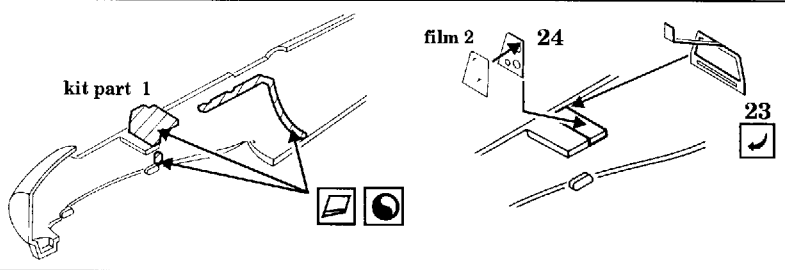


# Arado Ar-196 A-2

1/72 scale detail set for REVELL kit



-  OPPOSITE SIDE
-  REMOVE
-  BEND
-  REPLACE
-  GRIND



# GUNNER'S SEAT

