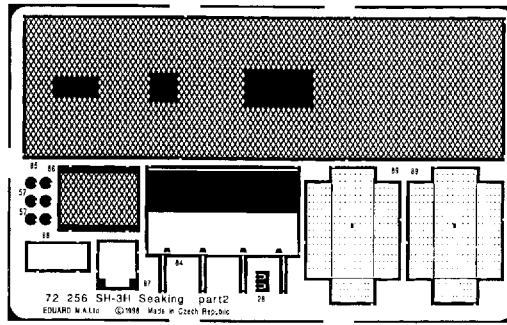
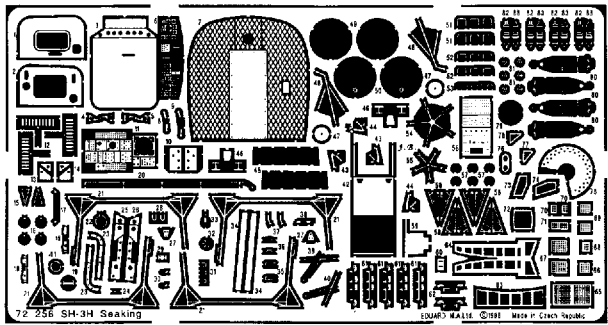








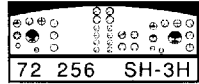


SH-3H Seaking

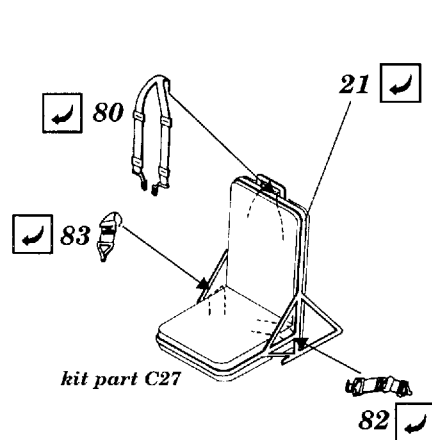
1/72 scale detail set for Fujimi kit



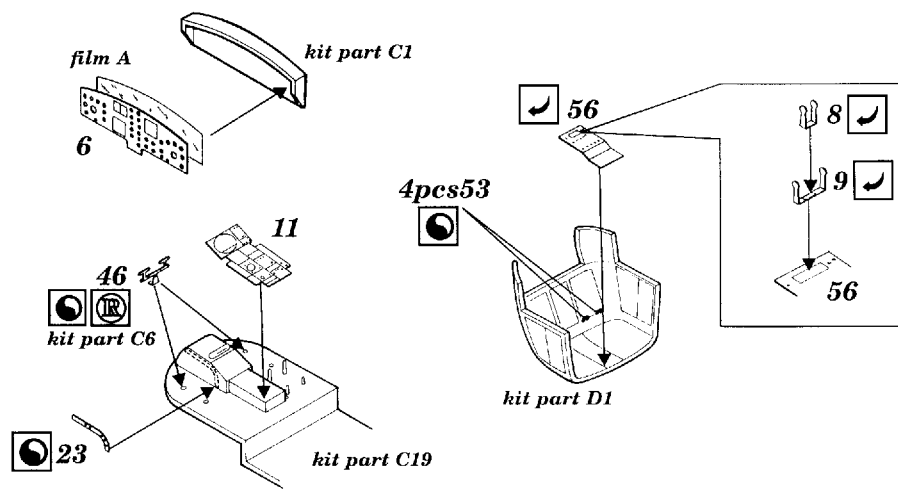
-  OPPOSITE SIDE
-  REMOVE
-  BEND
-  REPLACE
-  GRIND
-  OPTION



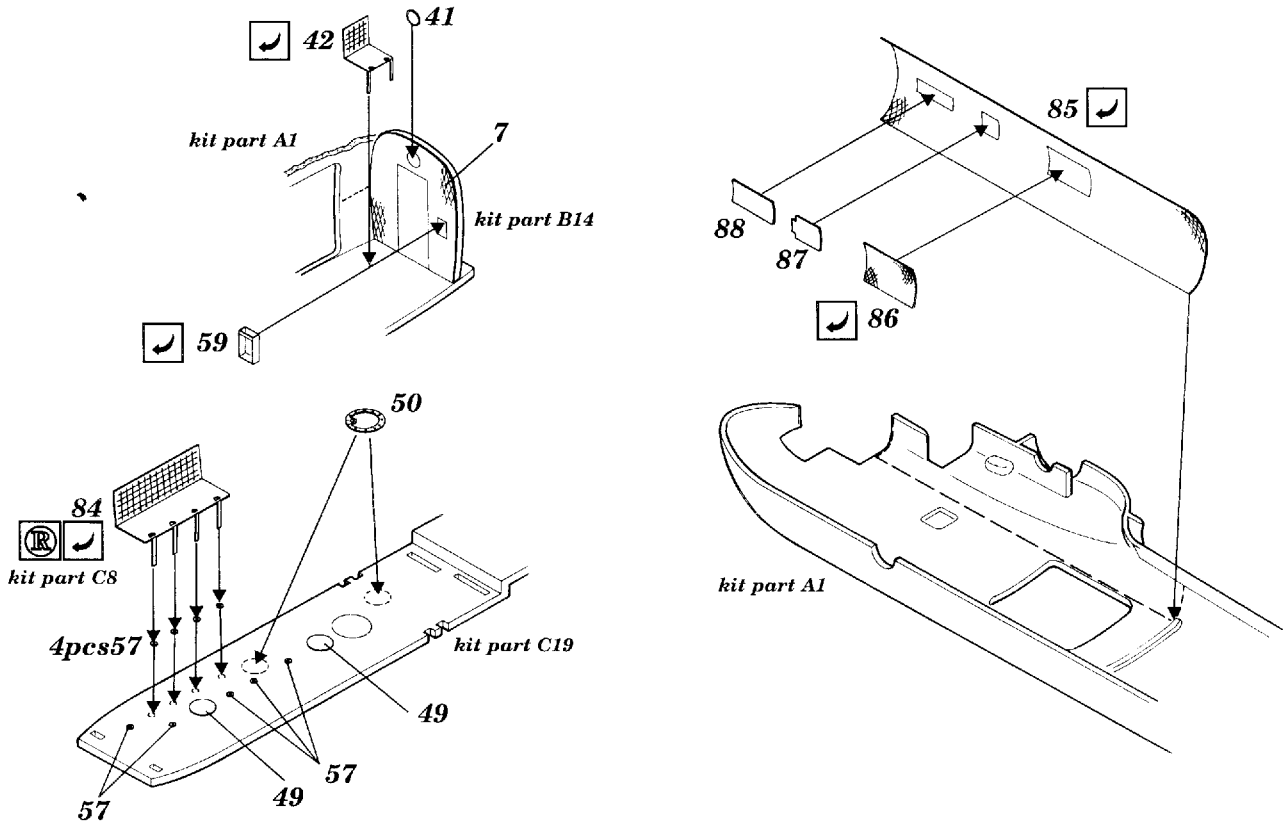
A SEAT



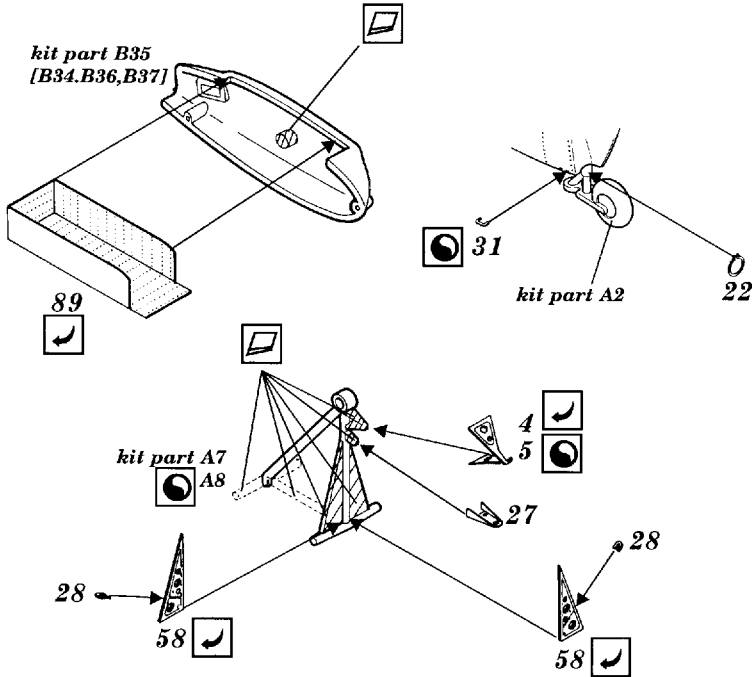
B COCKPIT



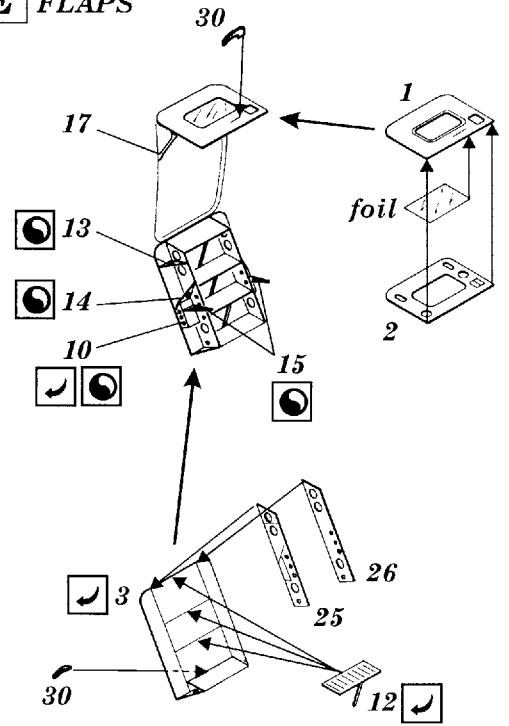
C CARGO AREA



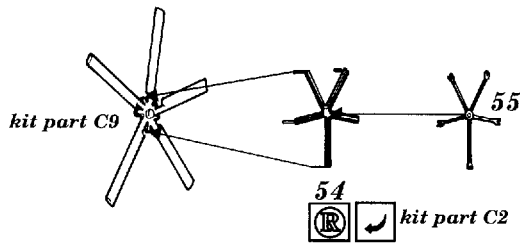
D UNDERCARRIAGE



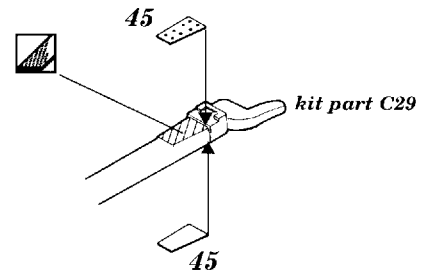
E FLAPS



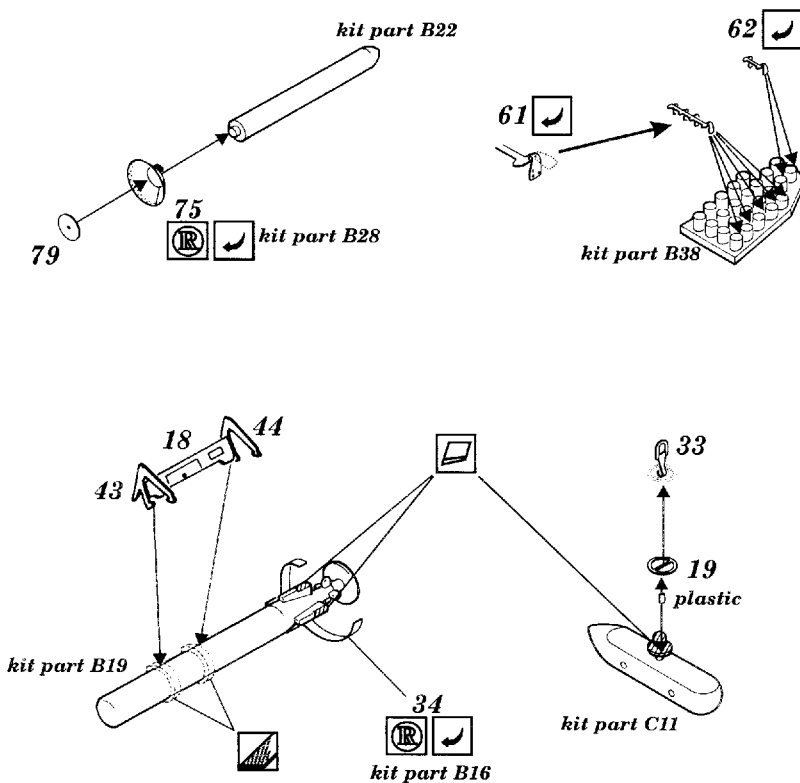
F TAIL ROTOR



G MAIN ROTOR



H WEAPONS & EQUIPMENT



I EXTERIOR PARTS

