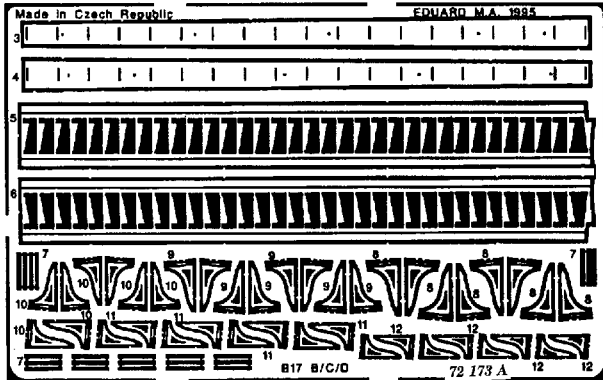




BOEING B 17 LANDING FLAPS

72 173

1/72 scale detail set for ACADEMY kit



OPPOSITE SIDE



REPLACE



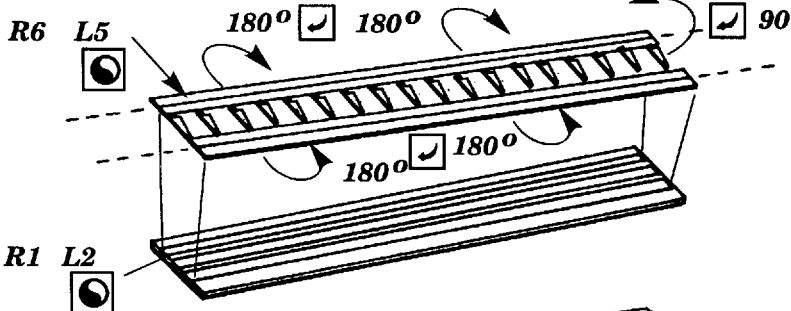
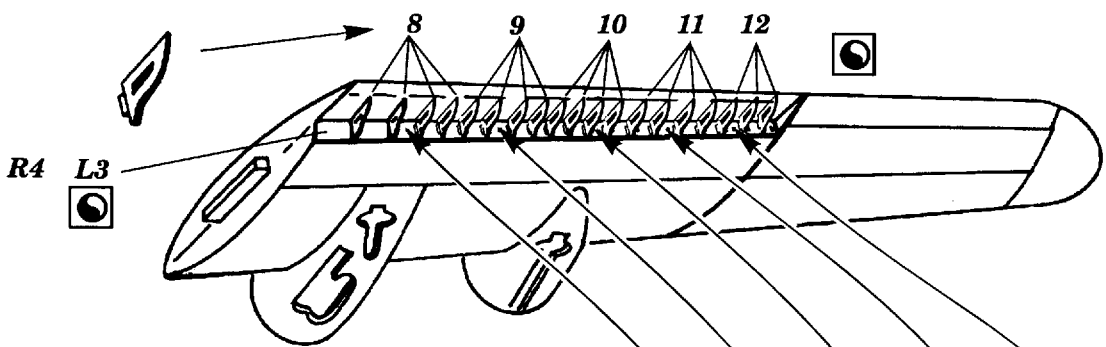
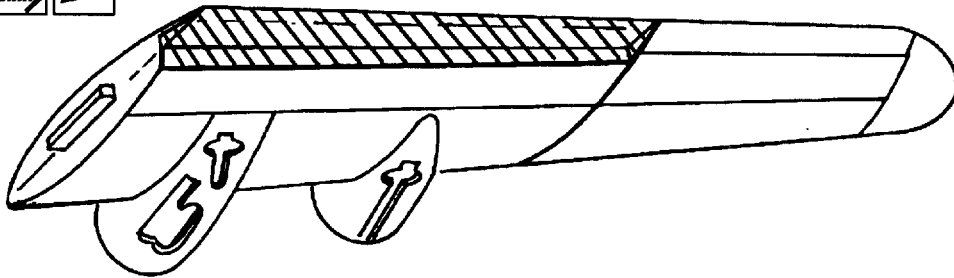
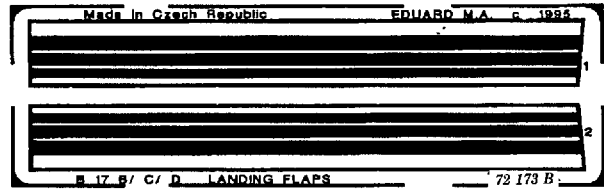
REMOVE



GRIND



BEND



R 1 / 6
L 2 / 5