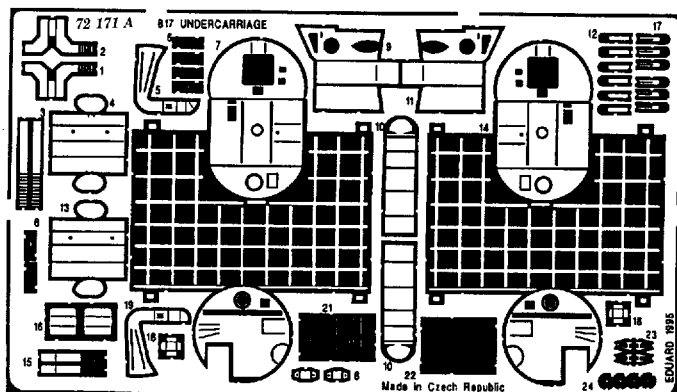









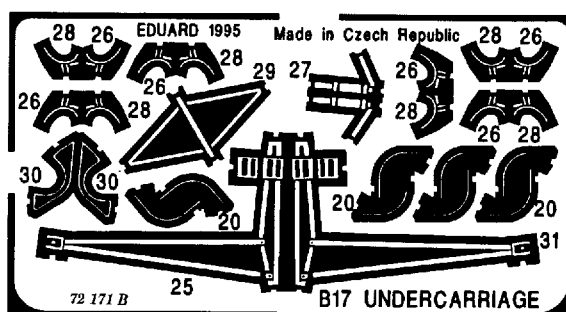
BOEING B 17 UNDERCARRIAGE

72 171

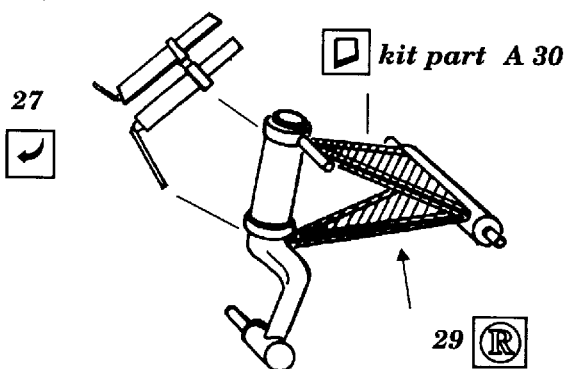
1/72 scale detail set for ACADEMY kit



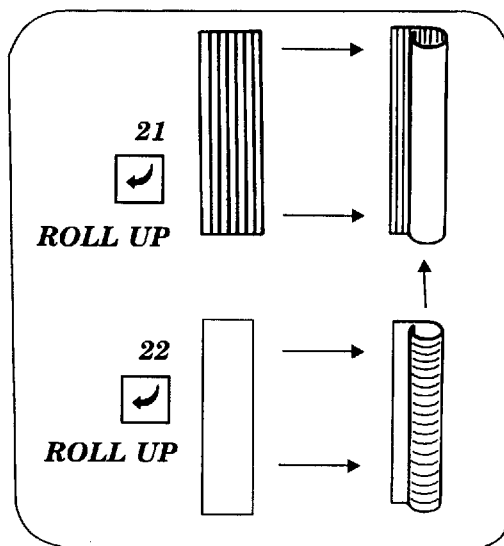
-  OPPOSITE SIDE
-  BEND
-  REMOVE
-  REPLACE
-  GRIND



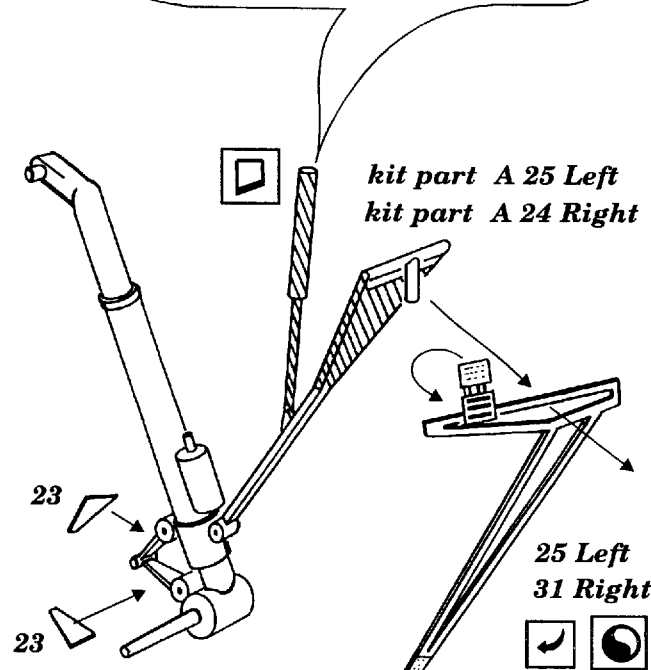
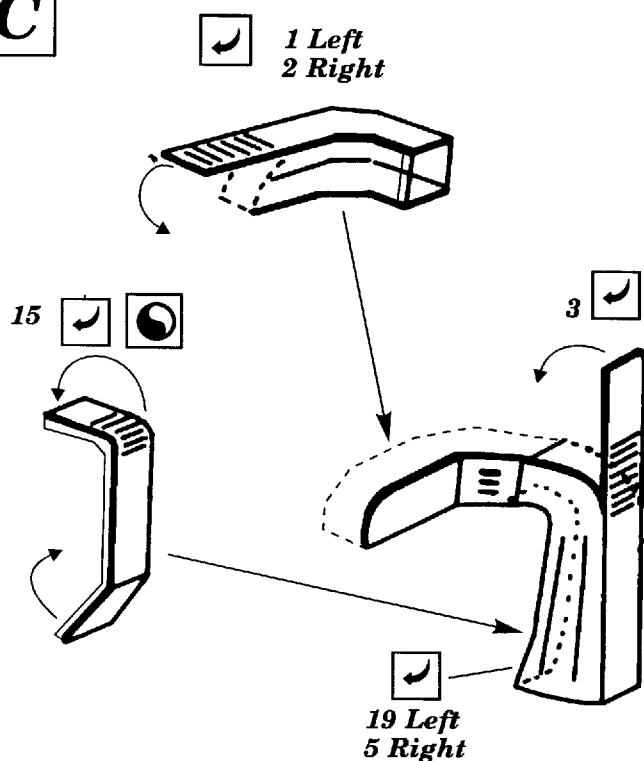
A TAIL WHEEL



B MAIN WHEEL



C



D **MAIN WHEEL WELL**

14 Left
7 Right

ROLL UP

E

11 Left
9 Right

CUTAWAY

11 Left
9 Right

Kit part
C 6 Right
(C 5 Left)

Kit part
C 6 Right
(C 5 Left)

B

F **OIL TANK**

4 Left
13 Right

ROLL UP

24

12

6

17

26 → ← 28

12

24

6

17

24

MAIN WHEEL WELL RIGHT / Right side

10

ROLL UP

(Rear view)

Plastic rod
Ø 3 mm

Early versions only
18 only

Later versions only

C

D

30

20

MAIN WHEEL WELL RIGHT / Left side

(Front view)

Plastic rod
Ø 1,5 mm

8

F

16

25

21

22

B