

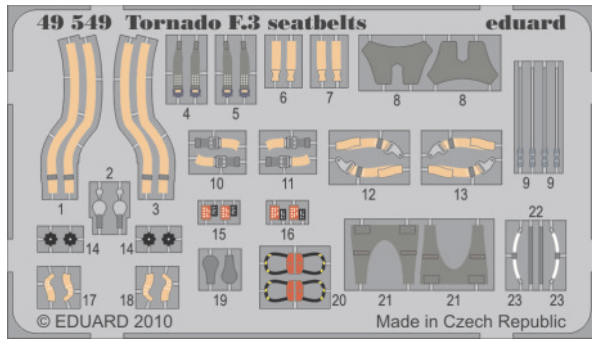


Tornado F.3 seatbelts

eduard

49 549

1/48 scale detail set for Hobby Boss kit • sada detailů pro model 1/48 Hobby Boss



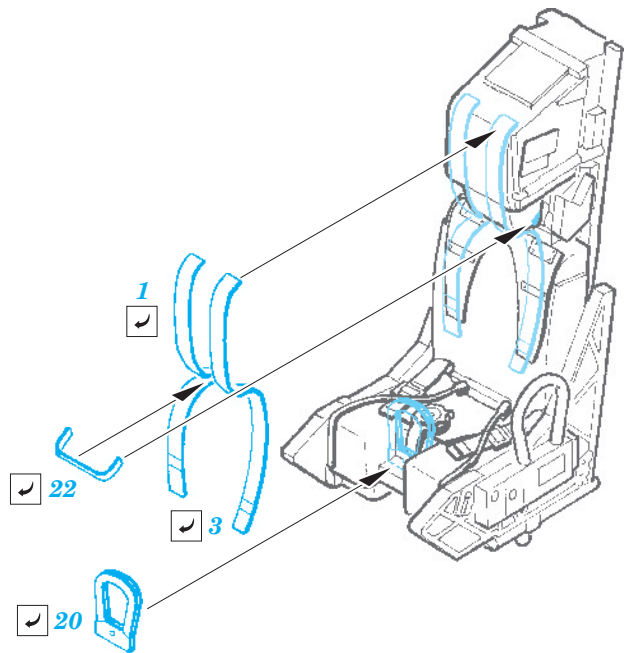
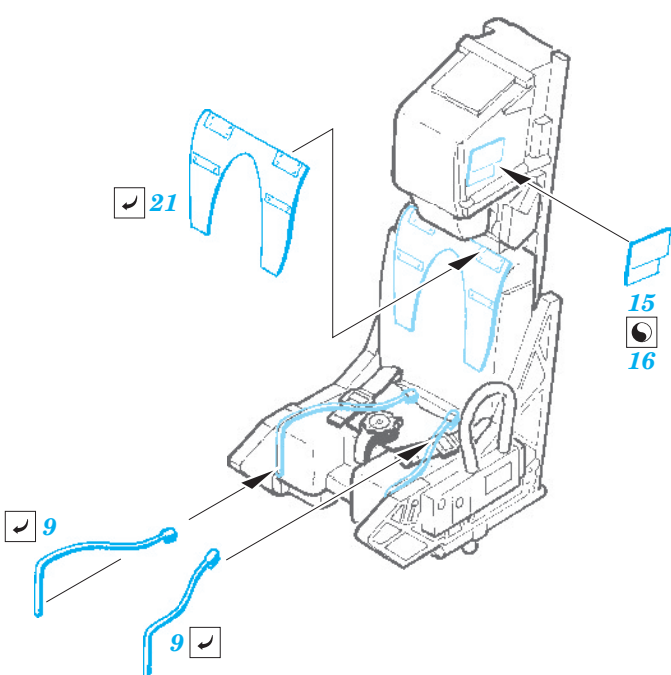
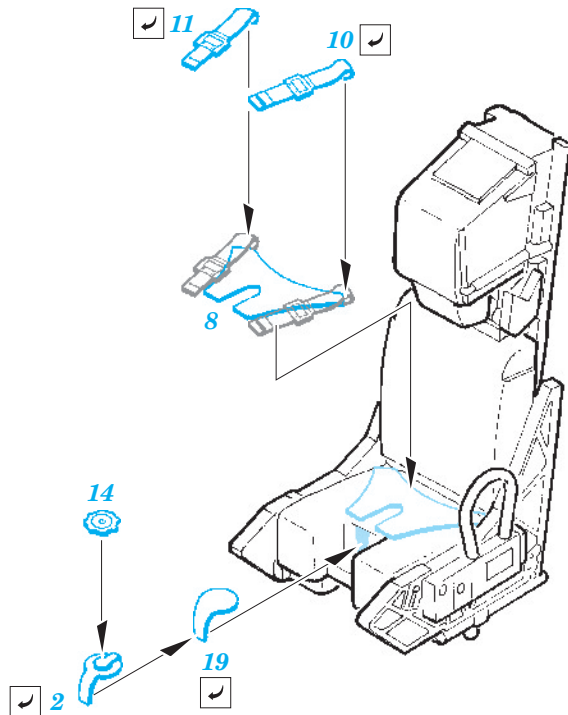
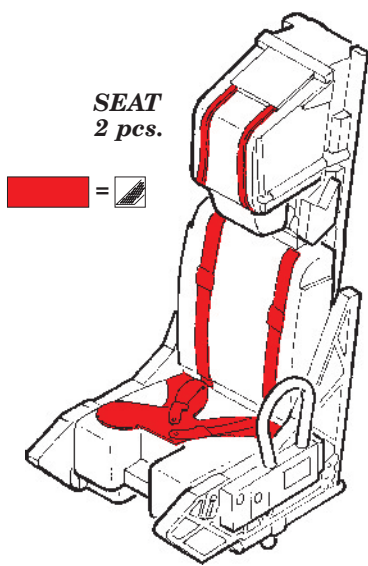
- ★ APPLY EXPRESS MASK AND PAINT BEFORE GLUING
POUŽIT EXPRESS MASK NABARVIT PŘED SLEPENÍM
- ☯ SYMMETRICAL ASSEMBLY
SYMETRICKÁ MONTÁŽ
- REMOVE
ODSTRANIT
- ▨ GRIND
OBROUSIT
- ⊘ DRILL HOLE
VRTAT OTVOR
- ↪ BEND
OHNOUT
- ? OPTION
VOLBA
- Ⓜ REPLACE
NAHRADIT

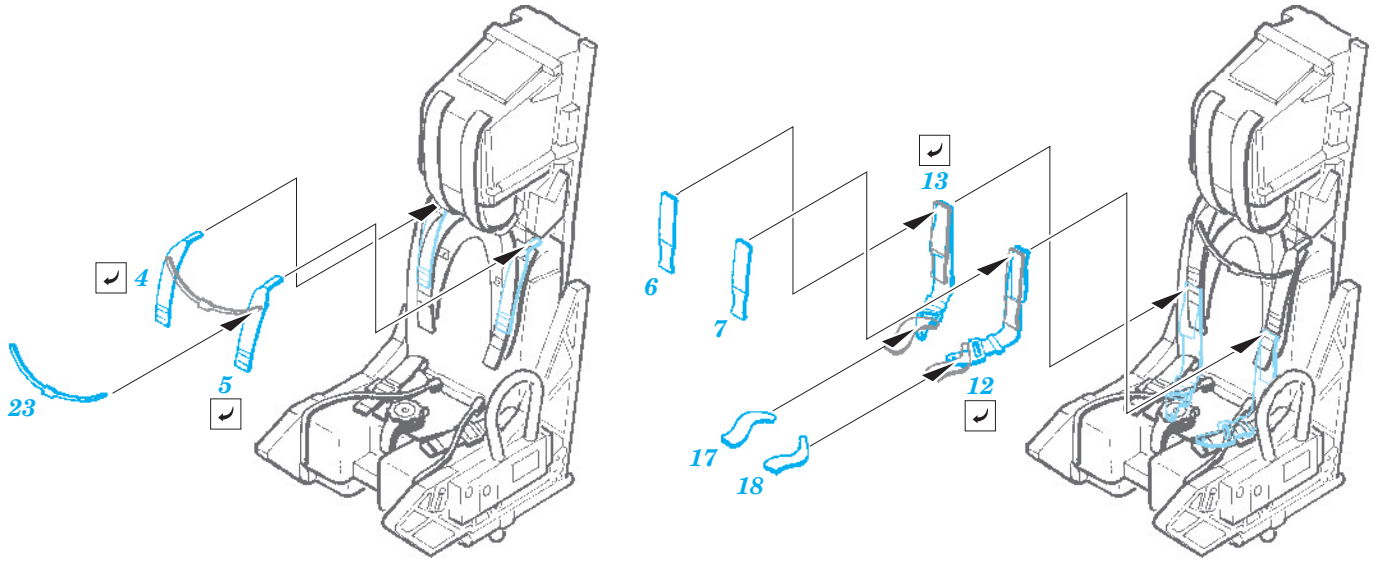
■ ORIGINAL KIT PARTS
PŮVODNÍ DÍLY STAVEBNICE

■ PHOTO-ETCHED PARTS
LEPTANÉ DÍLY

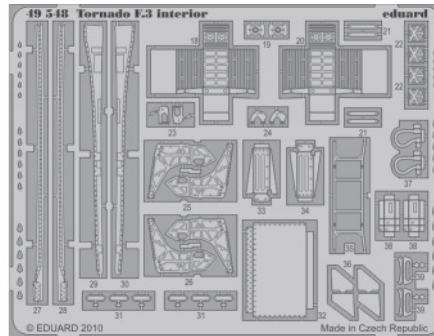
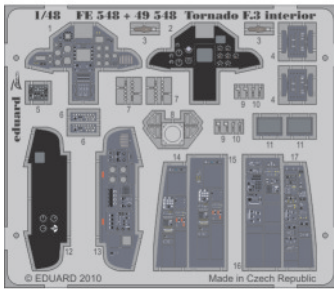
■ PARTS TO BE REMOVED
DÍLY K ODSTRANĚNÍ

■ FILL
TMELIT

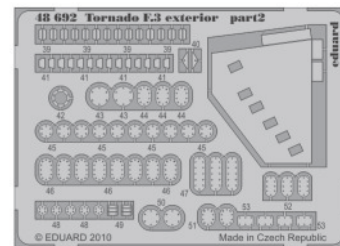
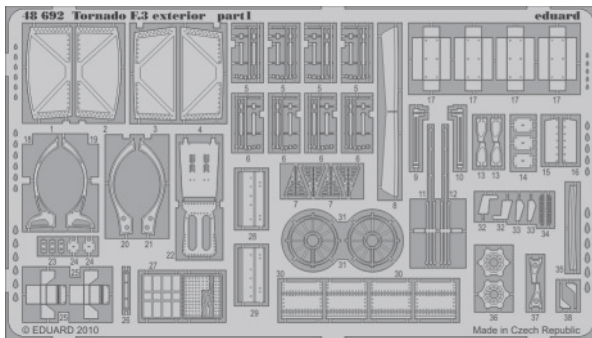




For further detail sets look for eduard 49 548 Tornado F.3 interior S.A. (not included in this set)



For further detail sets look for eduard 48 692 Tornado F.3 exterior (not included in this set)



For further detail sets look for eduard 48 690 Tornado Air brake and flaps (not included in this set)

